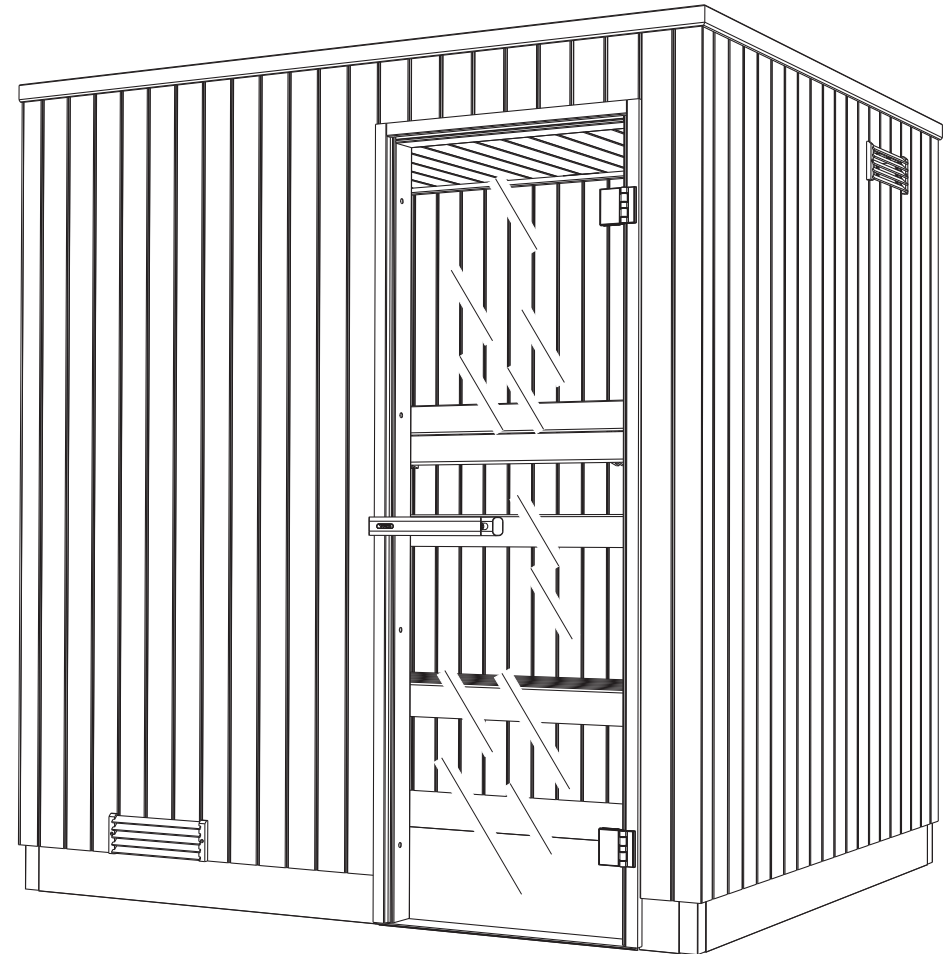


TYLÖ SAUNA EVOLVE

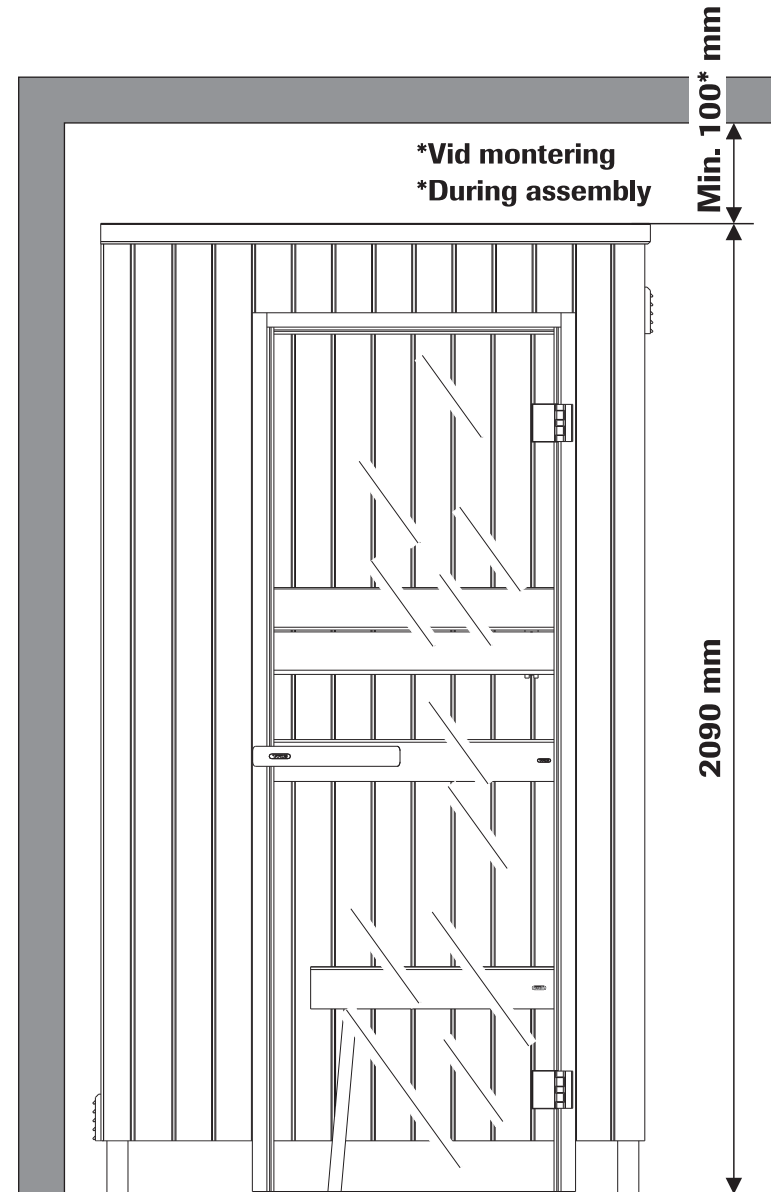
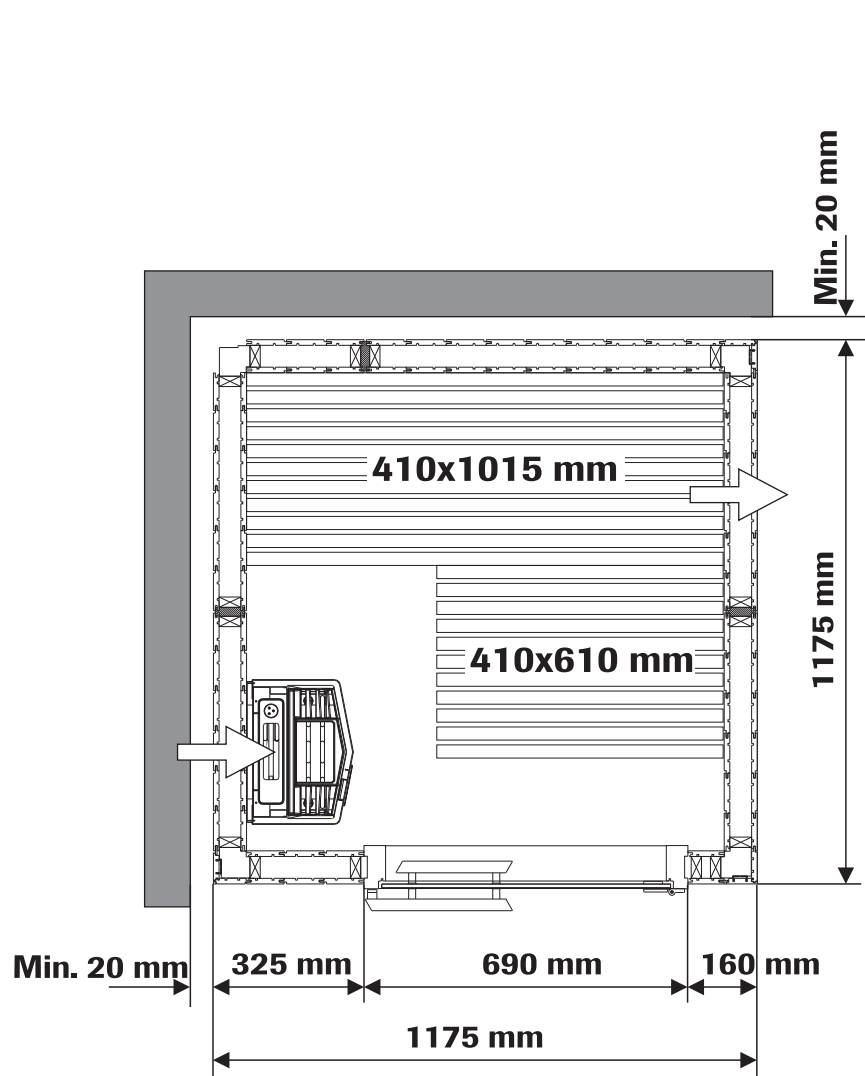
Layouts

<u>Sauna room</u>	<u>Page</u>
E 1212	2
E 1414	7
E 1414 Corner	12
E 1712	17
E 1717	22
E 1717 Corner	27
E 1917	32
E 1917 Corner	37
E 1919	42
E 1919 Corner	47
E 2217	52
E 2219	57
E 2219 Corner	62
E 2222	67
E 2419	72
E 2422	78
E 2719	84



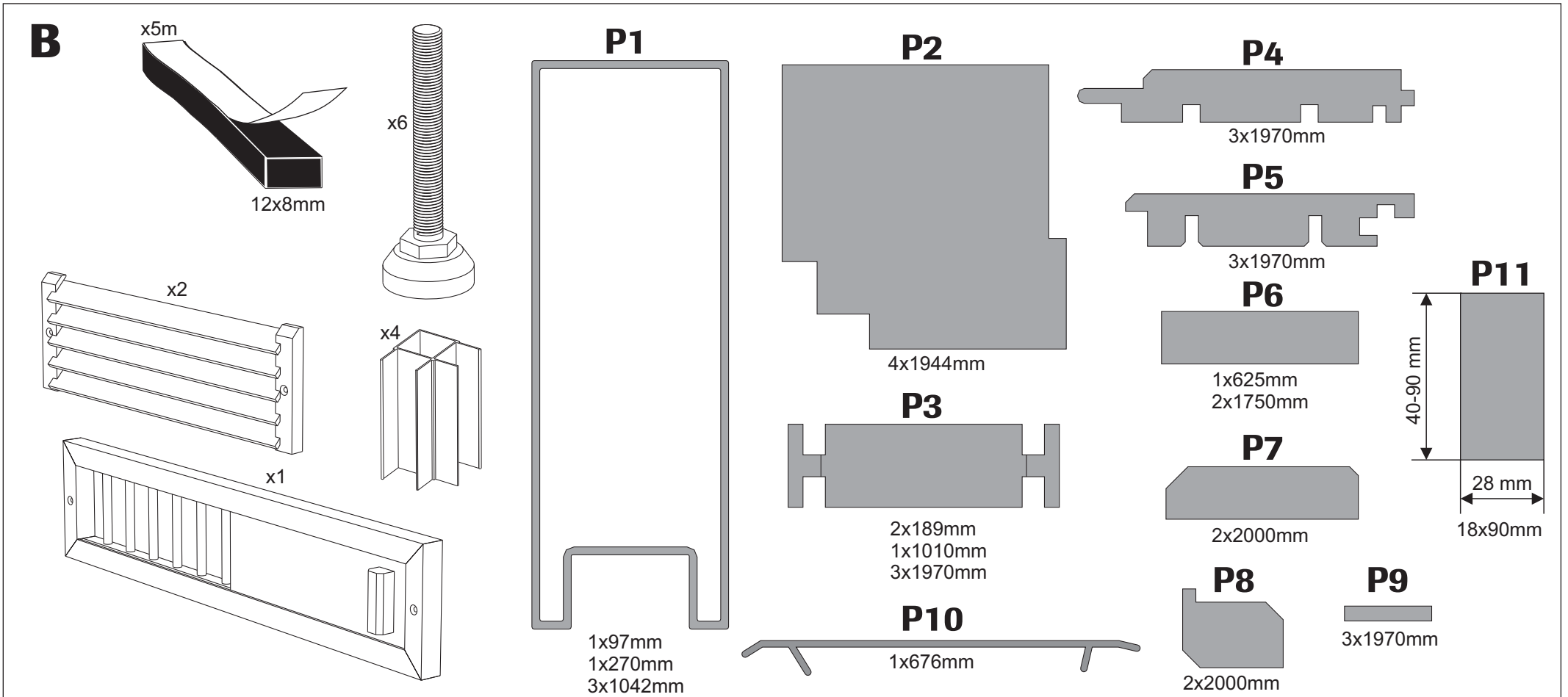
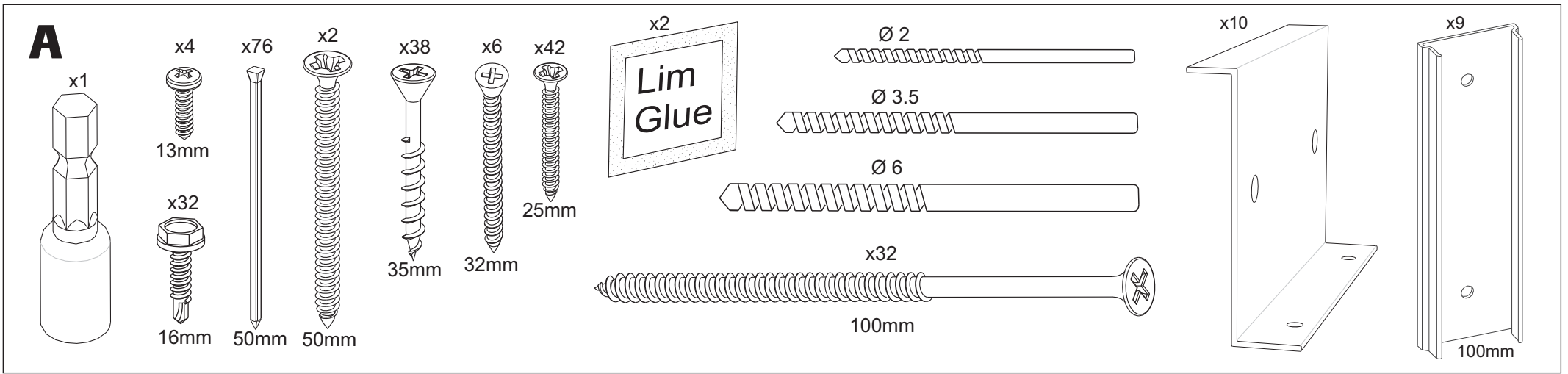
TYLÖ SAUNA E1212

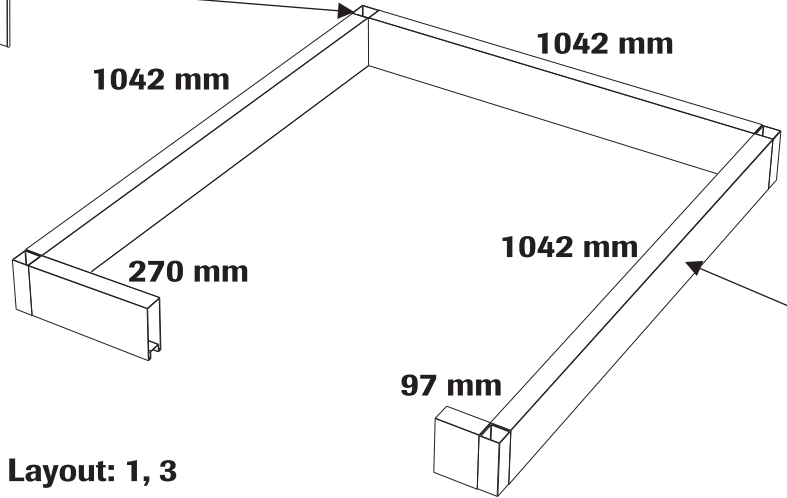
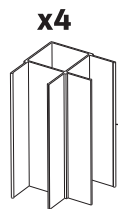
1111



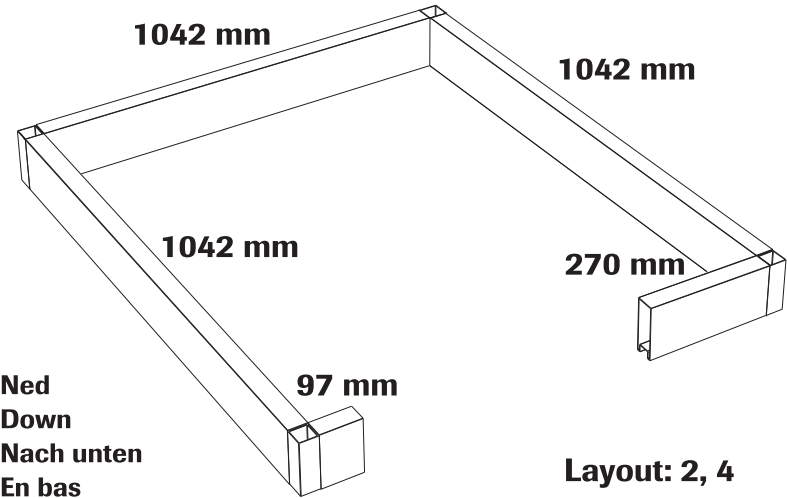
Art.nr 2900 4300

TYLÖ[®]
for the senses



C

Layout: 1, 3

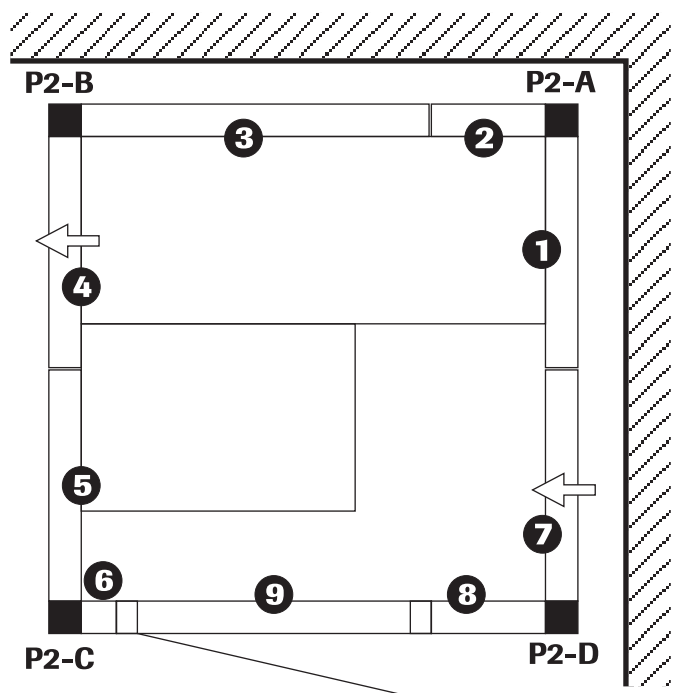
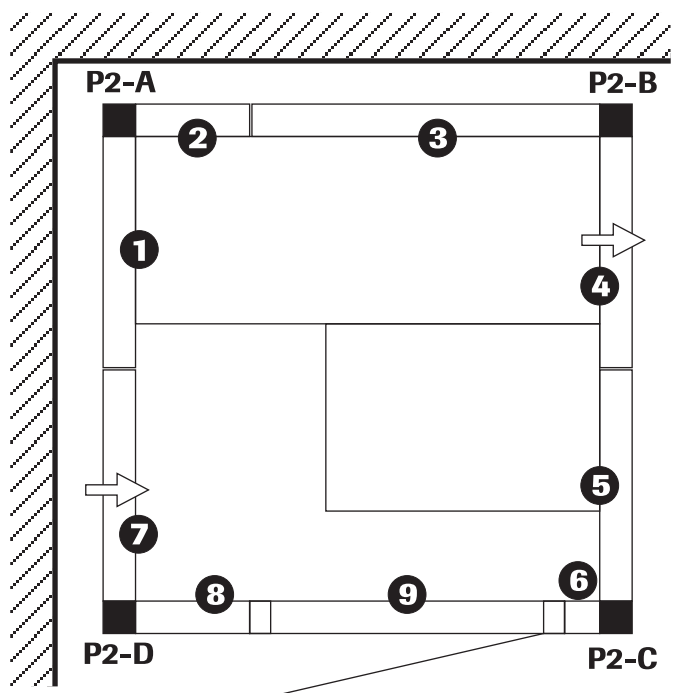


Layout: 2, 4

Ned
Down
Nach unten
En bas

D

Monteringsordning - väggar
Assembly order - walls



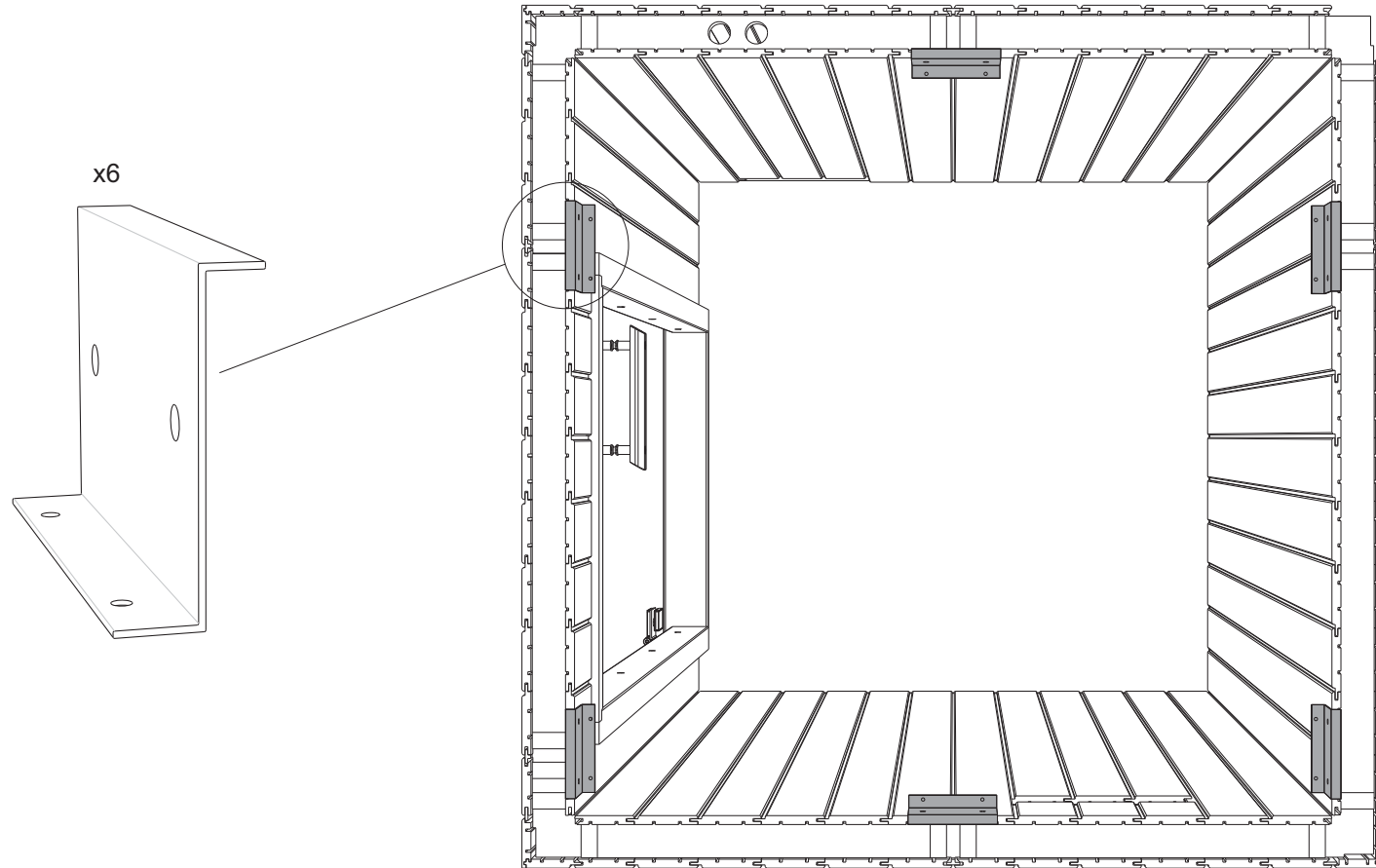
Väggyttermått
Wall outer dimensions

1 4 5 7	506 mm
2 8	250 mm
3	762 mm
6	77 mm
9 (Dörr/door)	690 mm

E

Placering av skarvprofil.
Montering - se monteringsanvisning av rummet.

Location of the joint profile
Assembly - see installation instructions of the room.

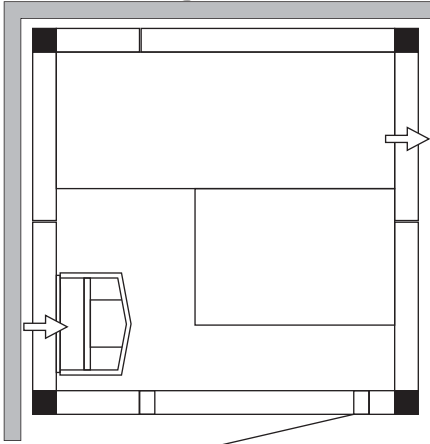


F Layouts 1212

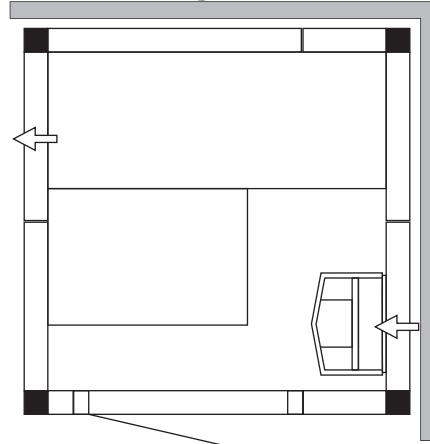
G = Glass

Standard

Layout 1

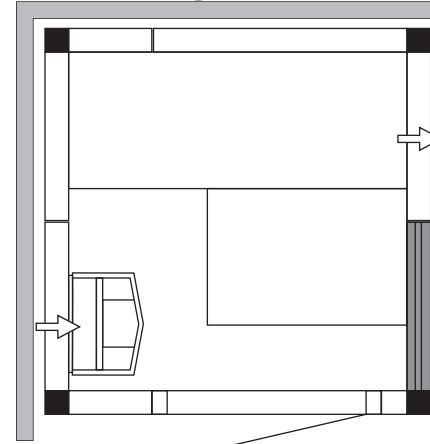


Layout 2

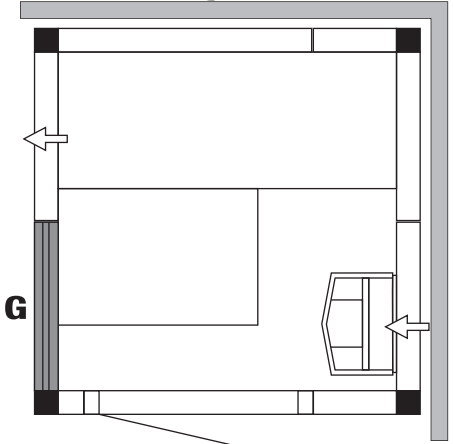


Standard with optional glass section

Layout 3

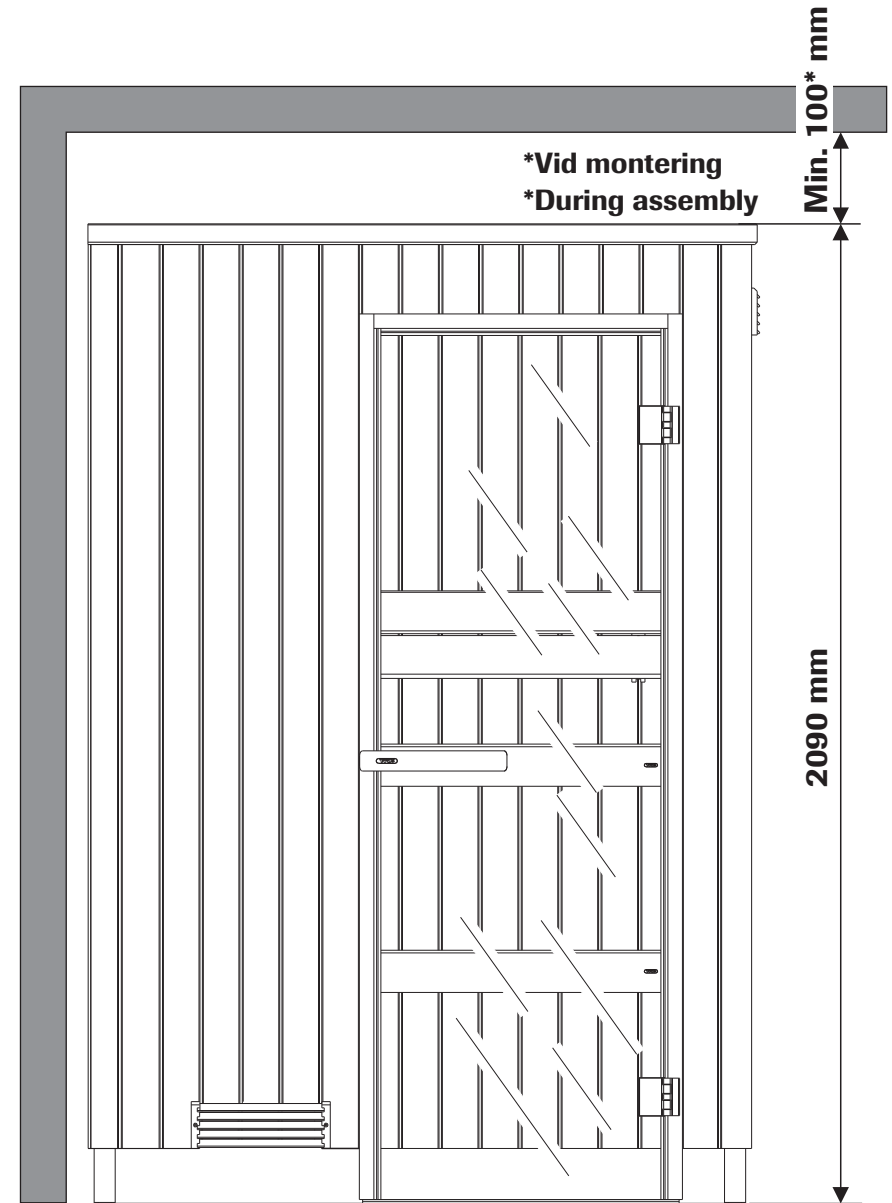
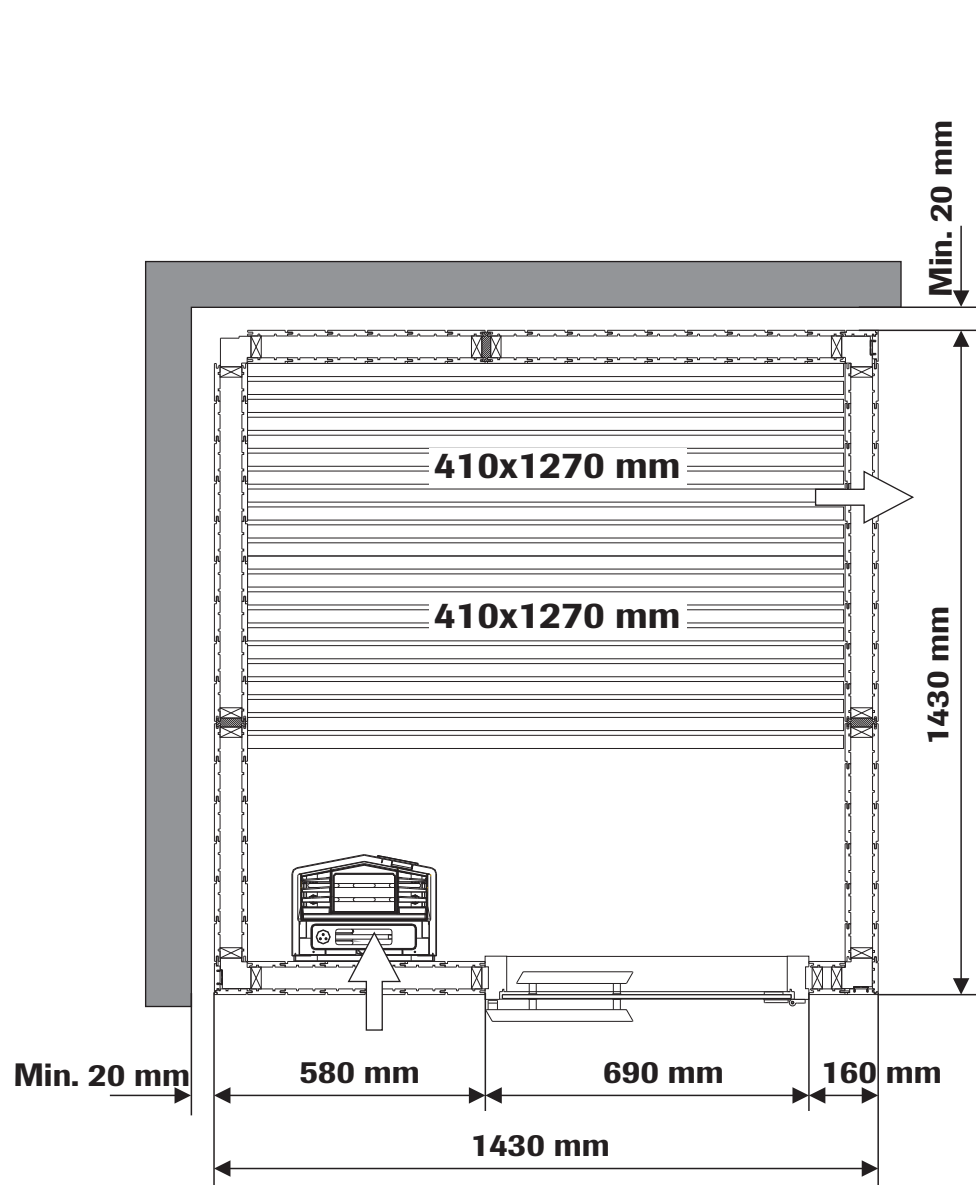


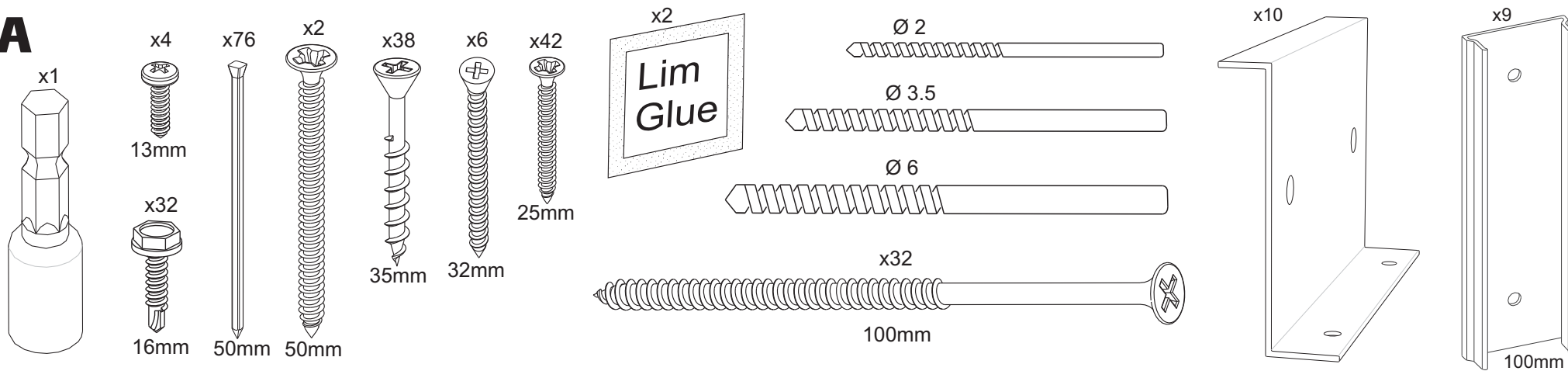
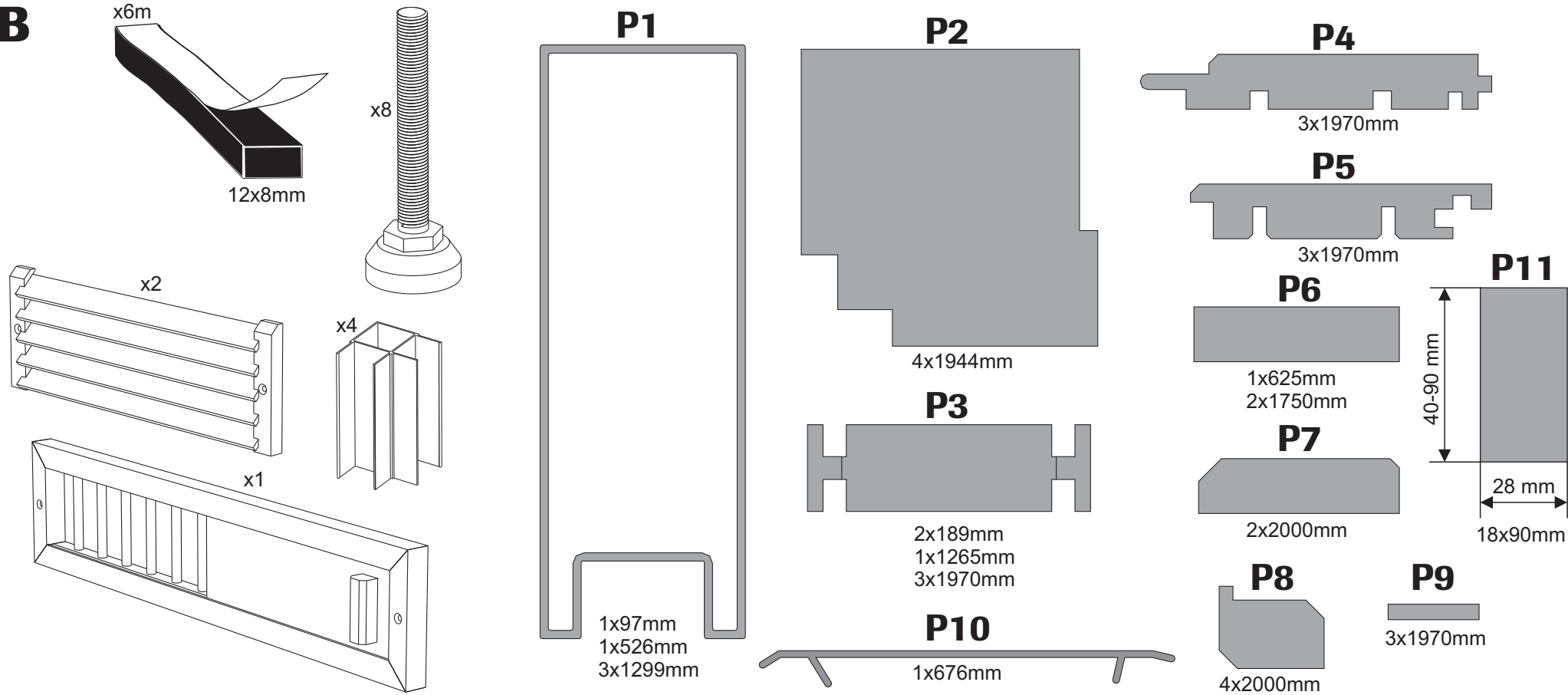
Layout 4

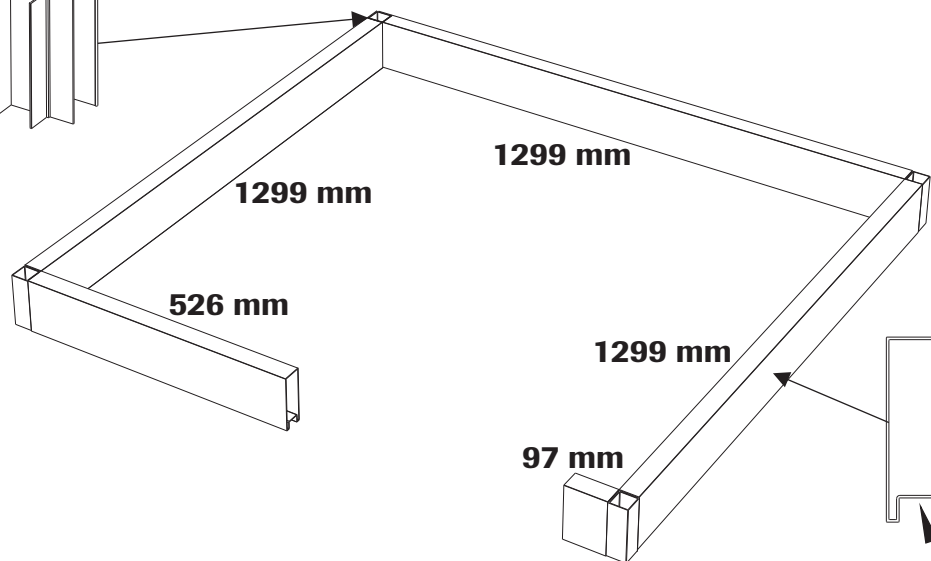
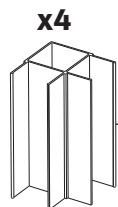


TYLÖ SAUNA E1414

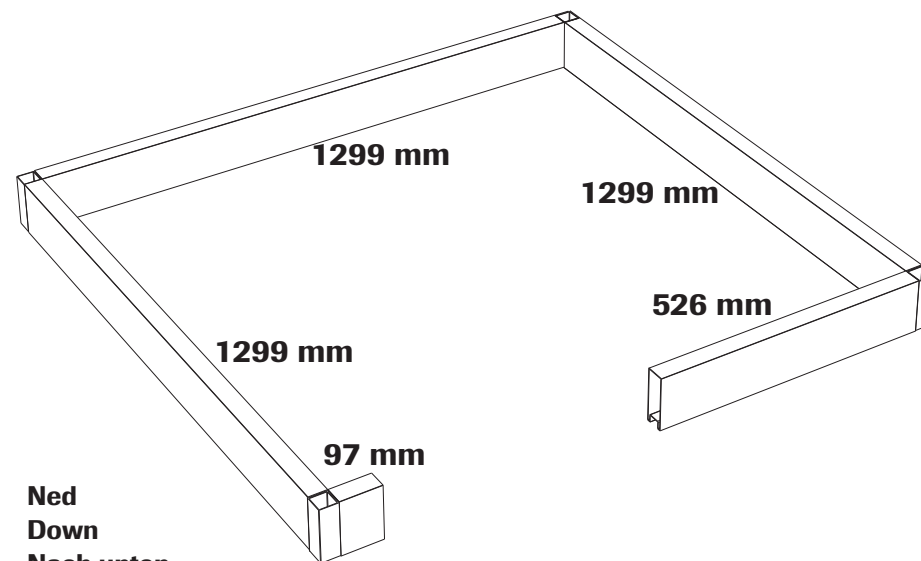
1111



A**B**

C

Layout: 1, 4, 5

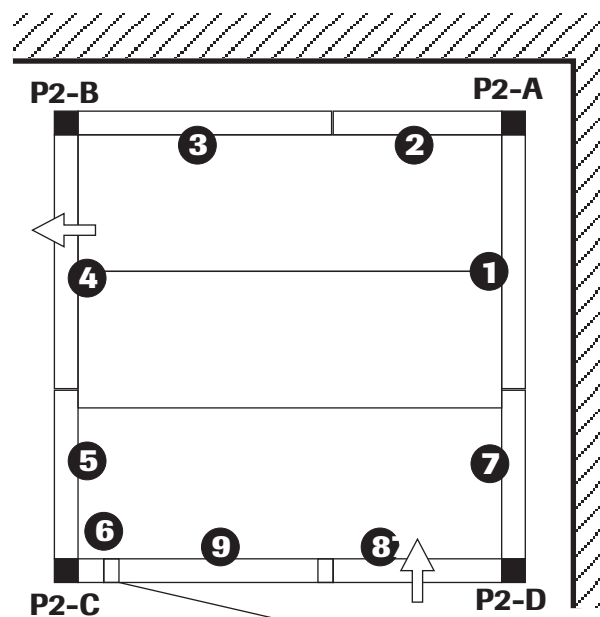
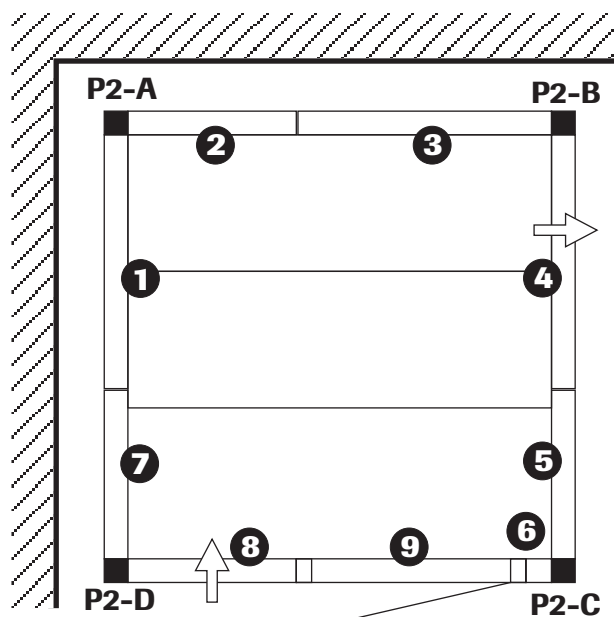


Layout: 2, 3, 6

Ned
Down
Nach unten
En bas

D

Monteringsordning - väggar
Assembly order - walls



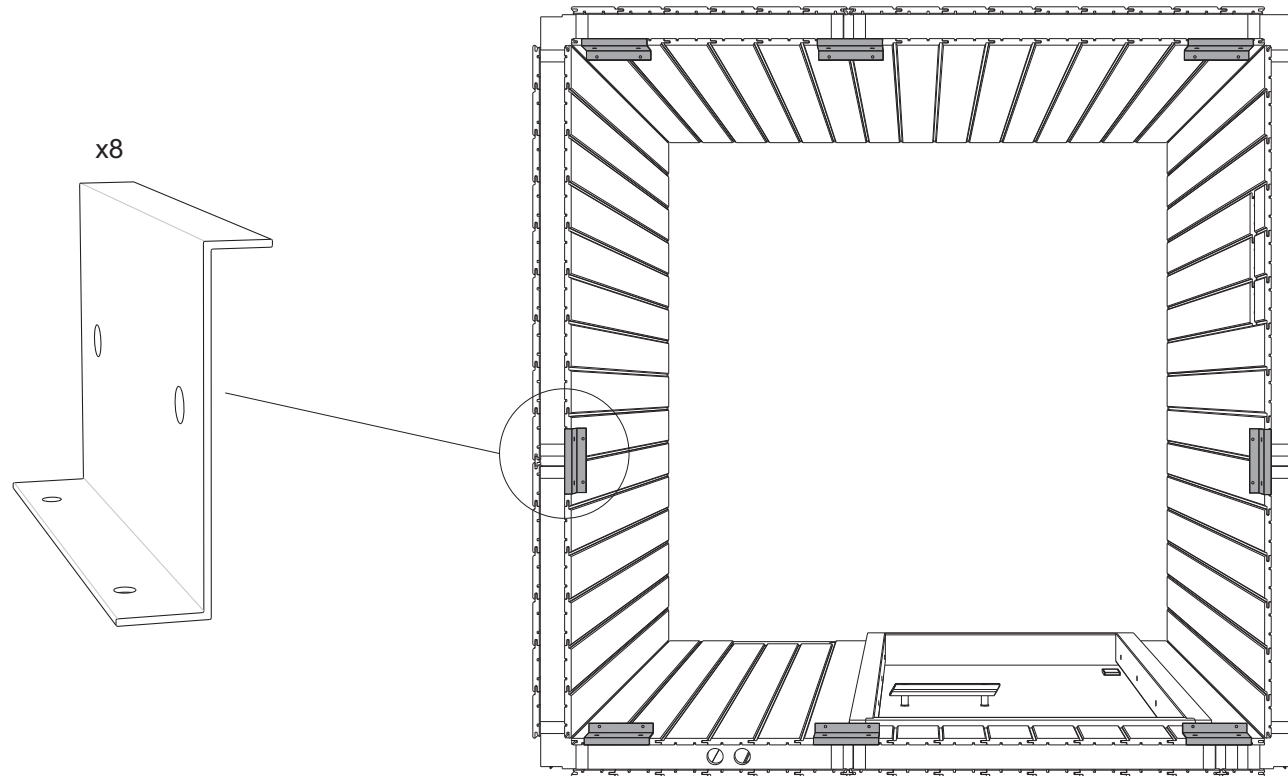
Väggyttermått
Wall outer dimensions

2 5 7 8	506 mm
1 3 4	762 mm
6	77 mm
9 (Dörr/door)	690 mm

E

Placering av skarvprofil.
Montering - se monteringsanvisning av rummet.

Location of the joint profile
Assembly - see installation instructions of the room.

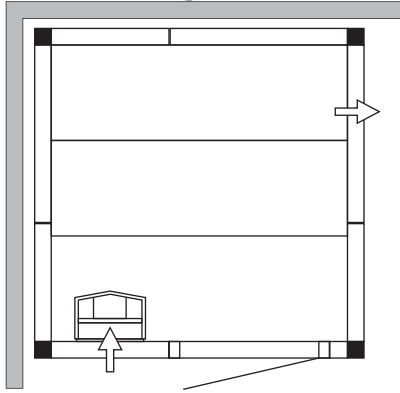


F Layouts 1414

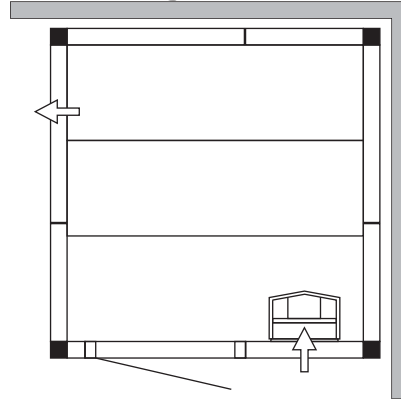
G = Glass
GV = Glass ventilation

Standard

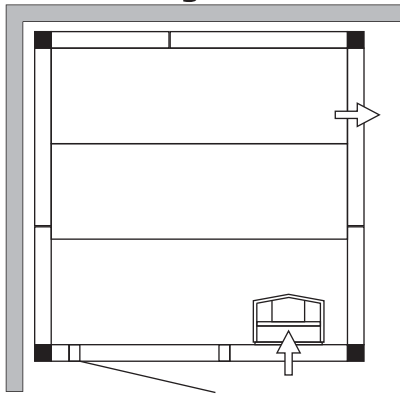
Layout 1



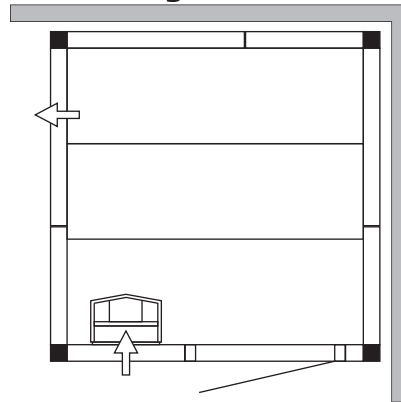
Layout 2



Layout 3

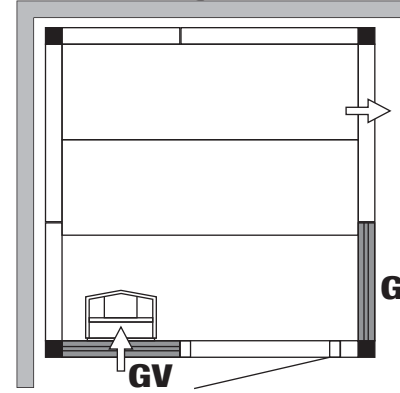


Layout 4

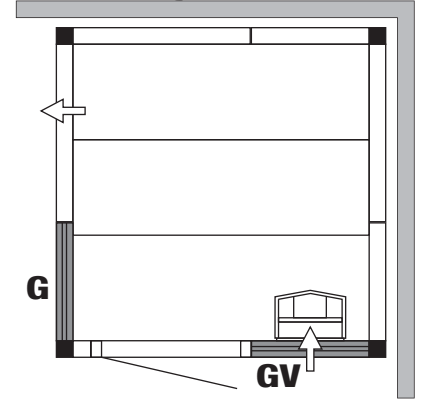


Standard with optional glass section + glass vent.

Layout 5

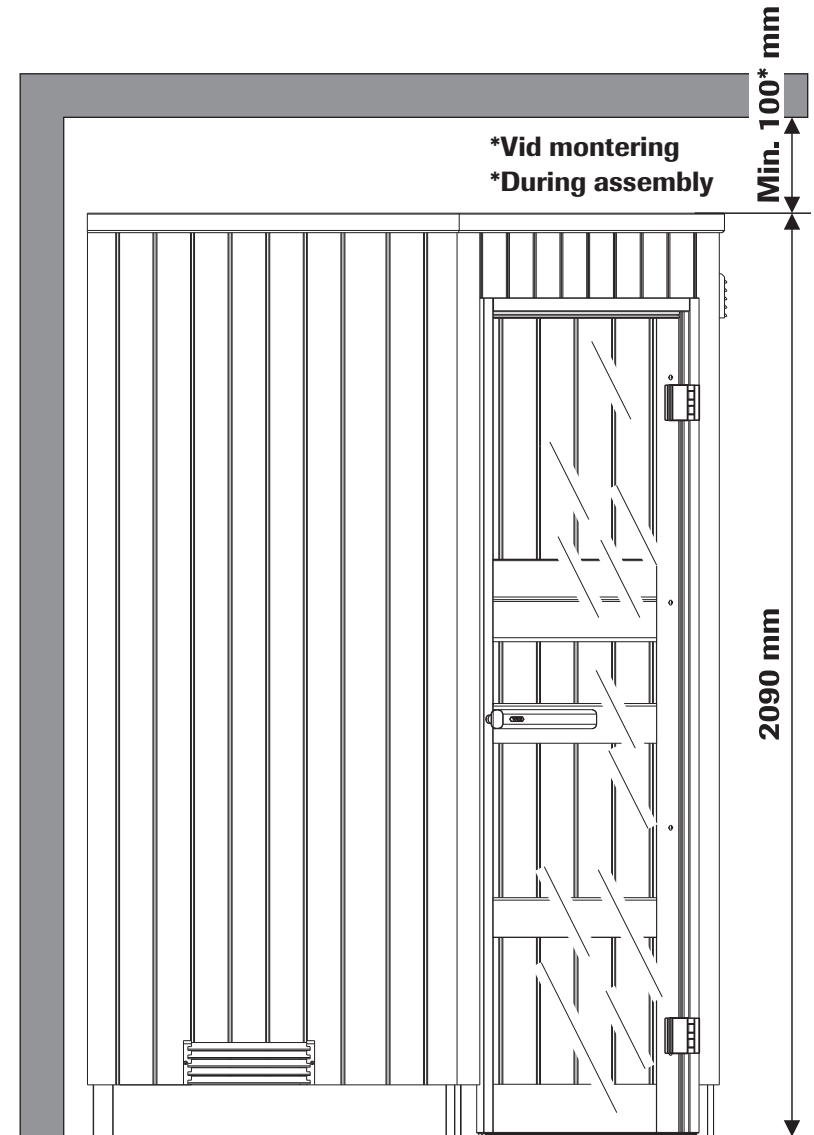
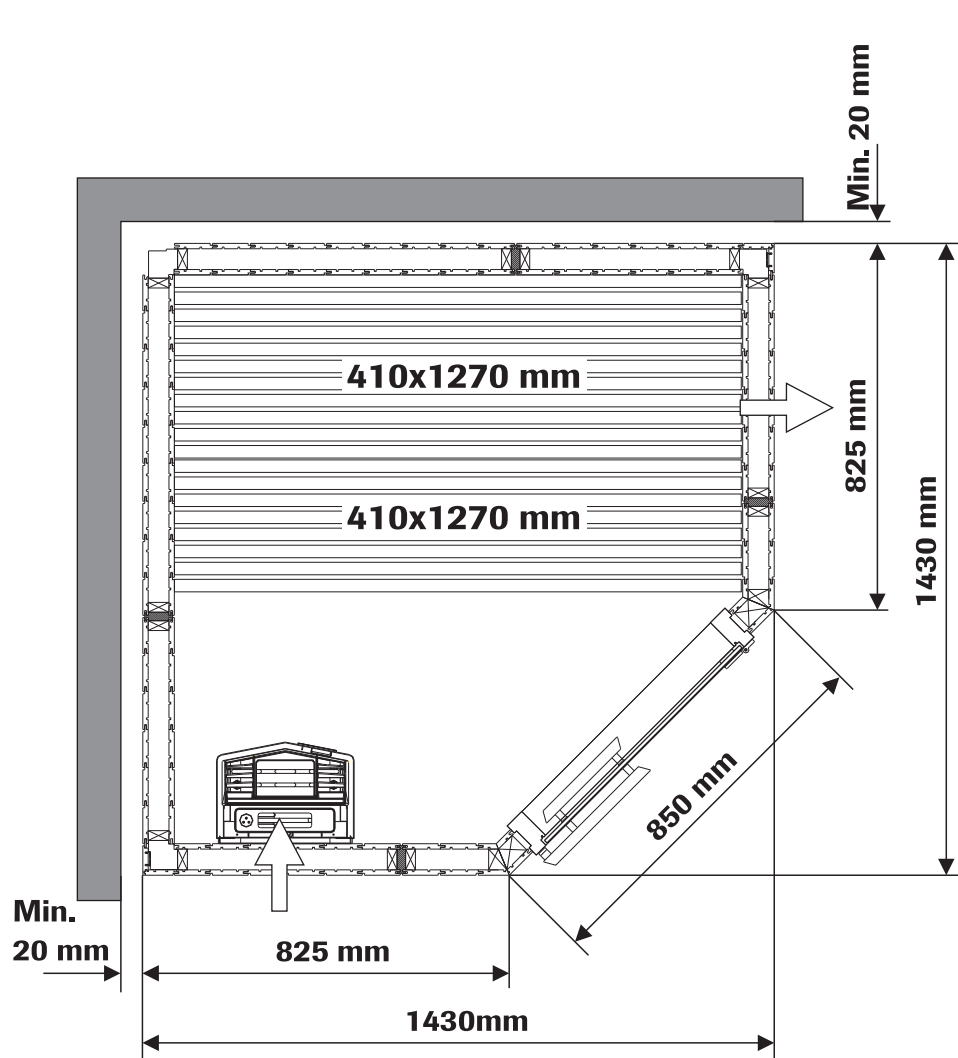


Layout 6



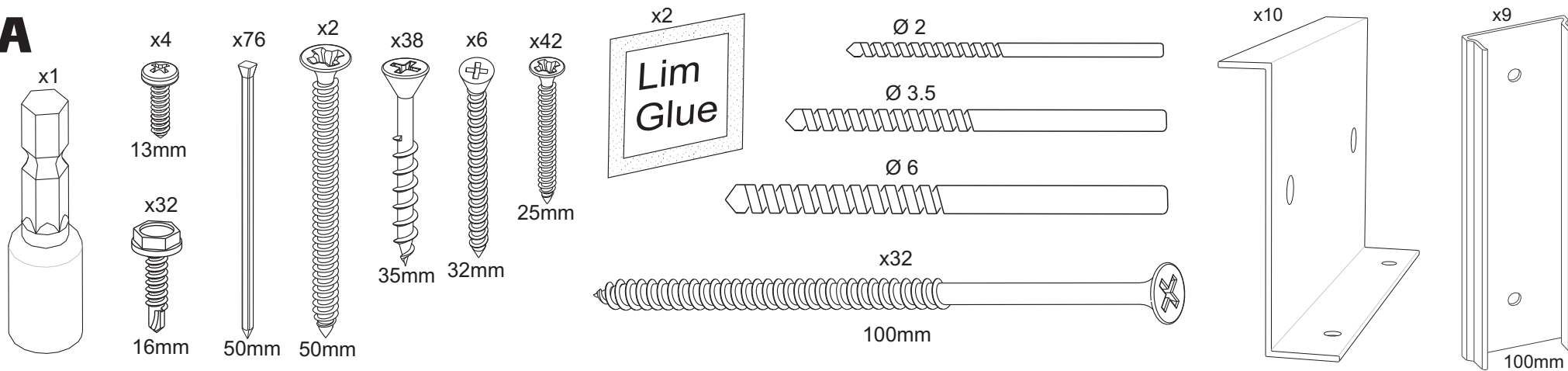
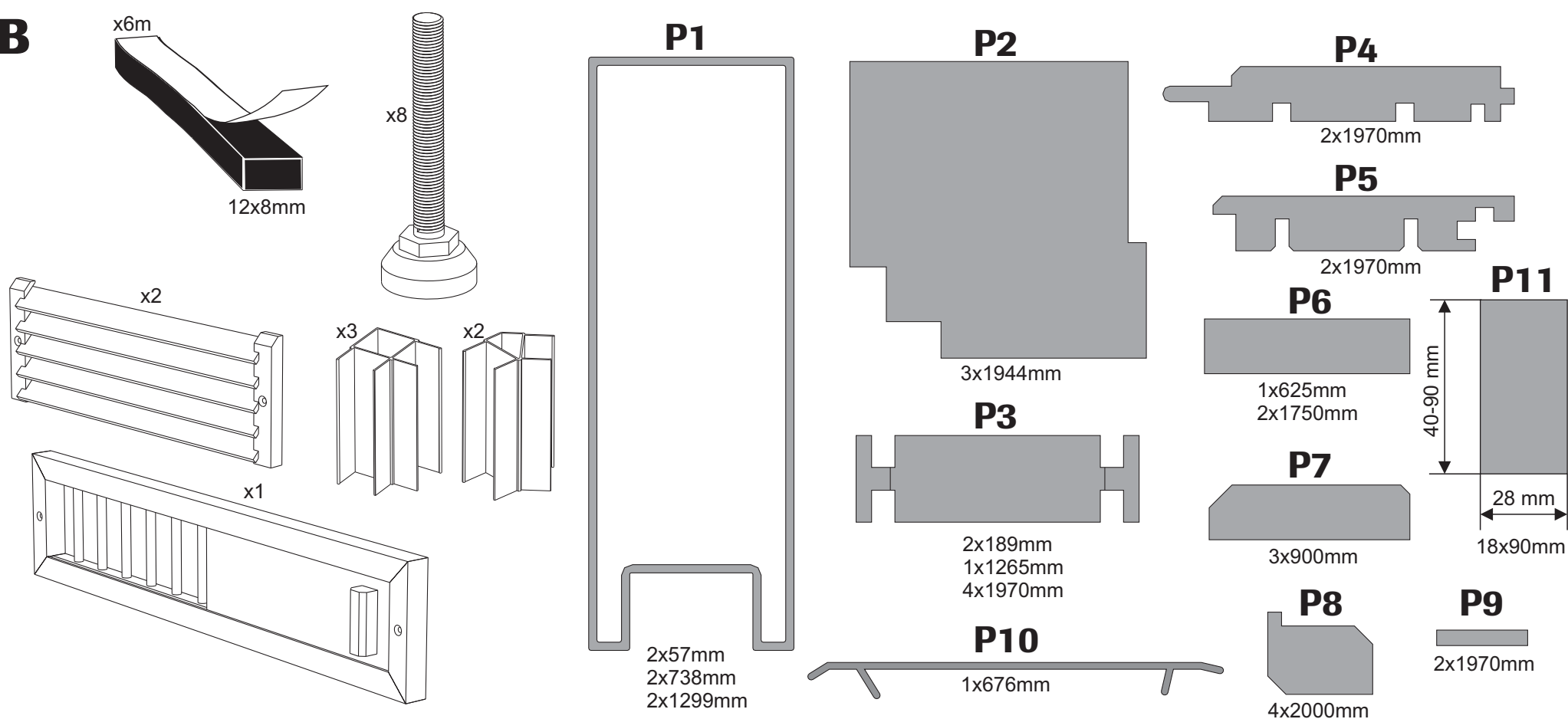
TYLÖ SAUNA E1414/c

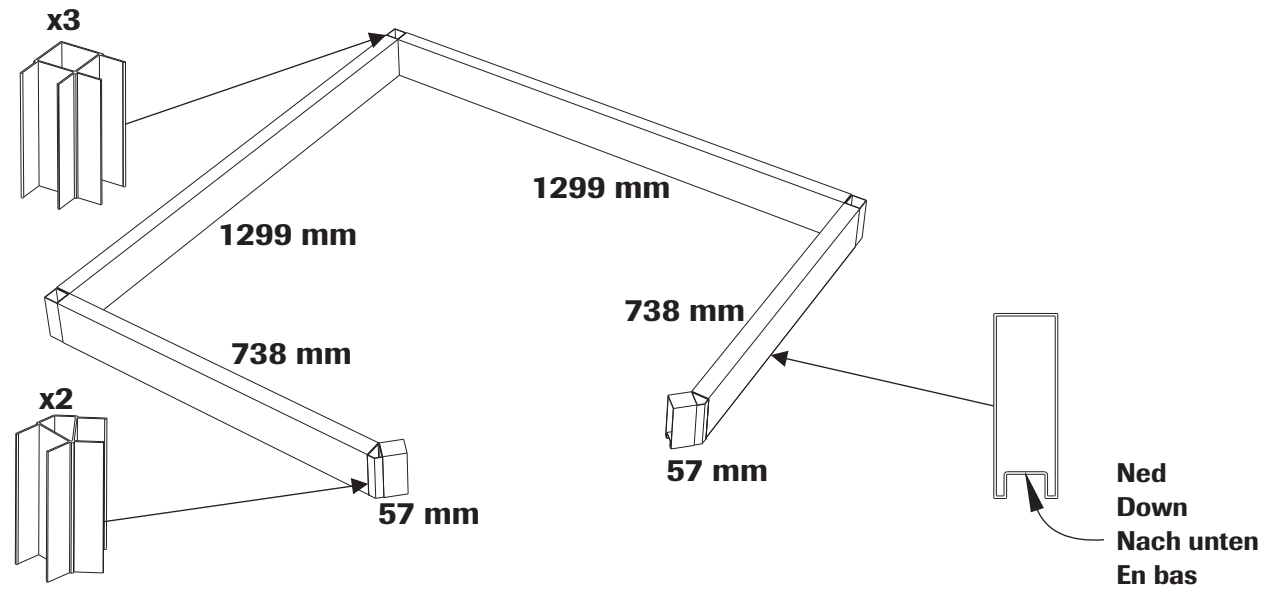
1111



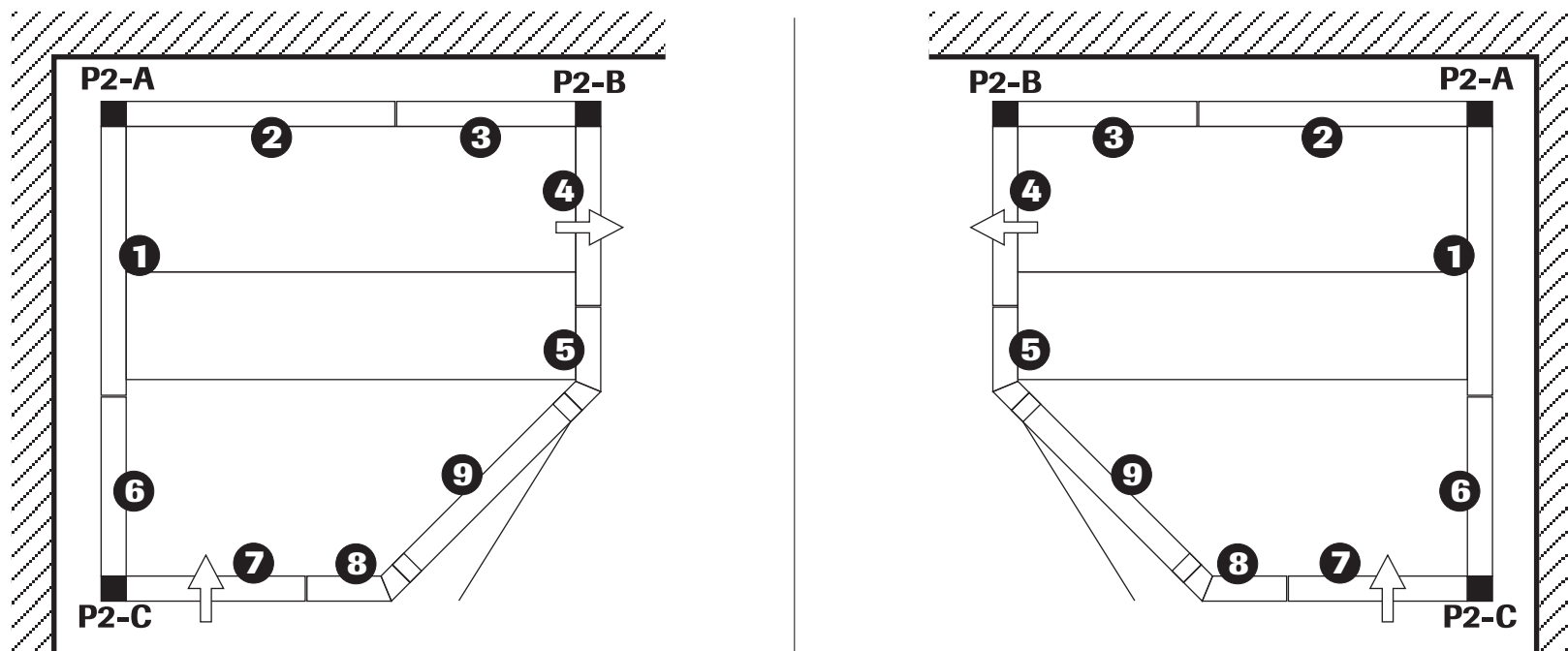
Art.nr 2900 4310

TYLÖ[®]
for the senses

A**B**

C**D**

Monteringsordning - väggar
Assembly order - walls



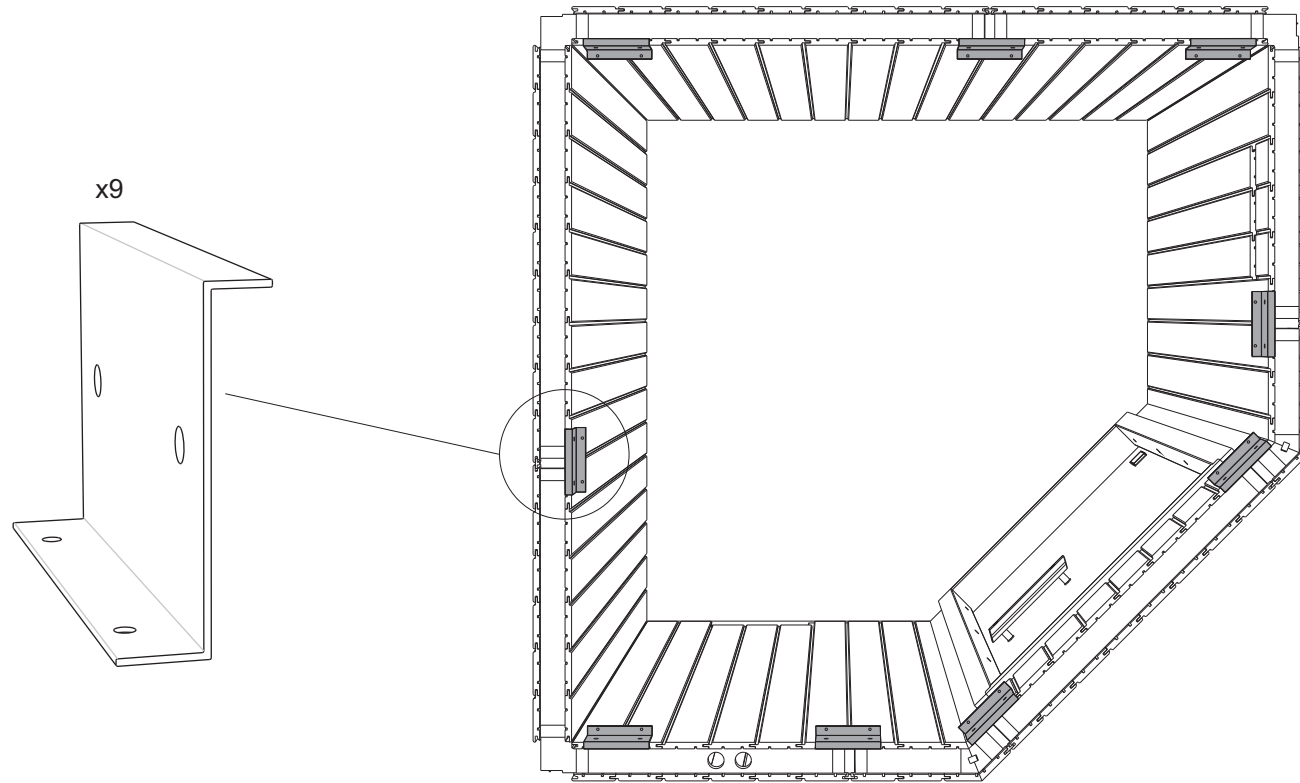
Väggyttermått
Wall outer dimensions

1 2	762 mm
3 4 6 7	506 mm
5 8	75/239 mm
9 (Dörr/door)	690 mm

E

Placering av skarvprofil.
Montering - se monteringsanvisning av rummet.

Location of the joint profile
Assembly - see installation instructions of the room.

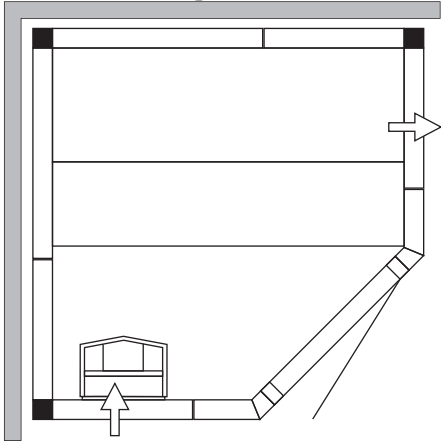


F Layouts 1414/c

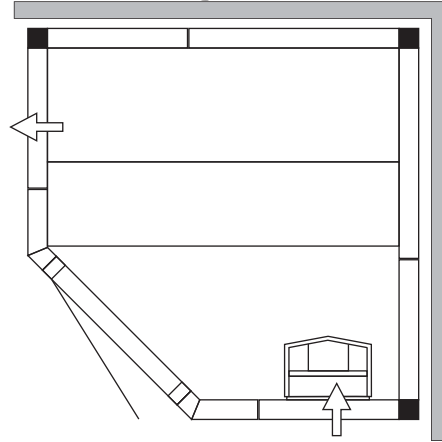
GV = Glass ventilation

Standard

Layout 1

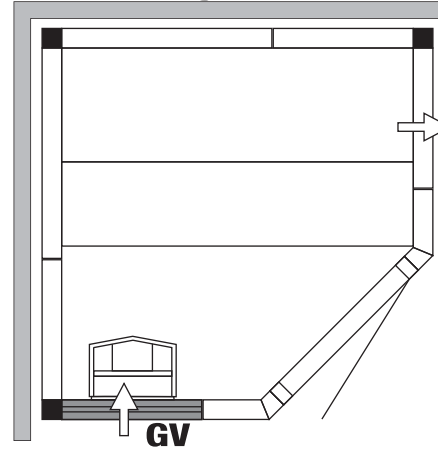


Layout 2

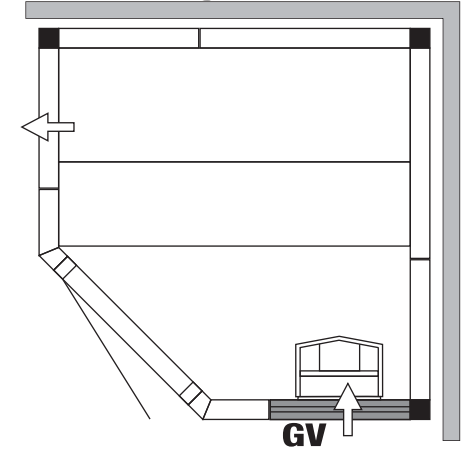


Standard with optional glass vent.

Layout 3

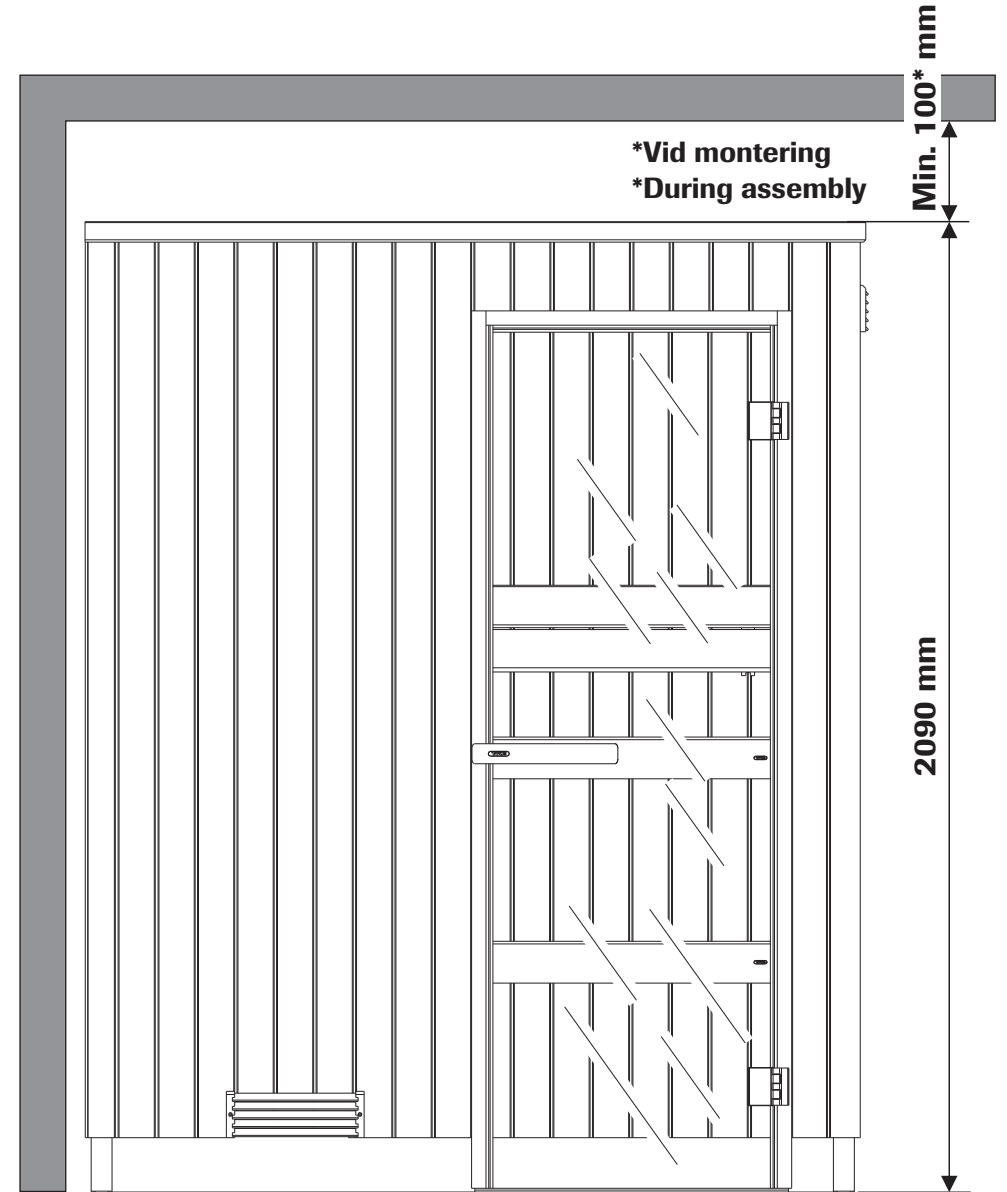
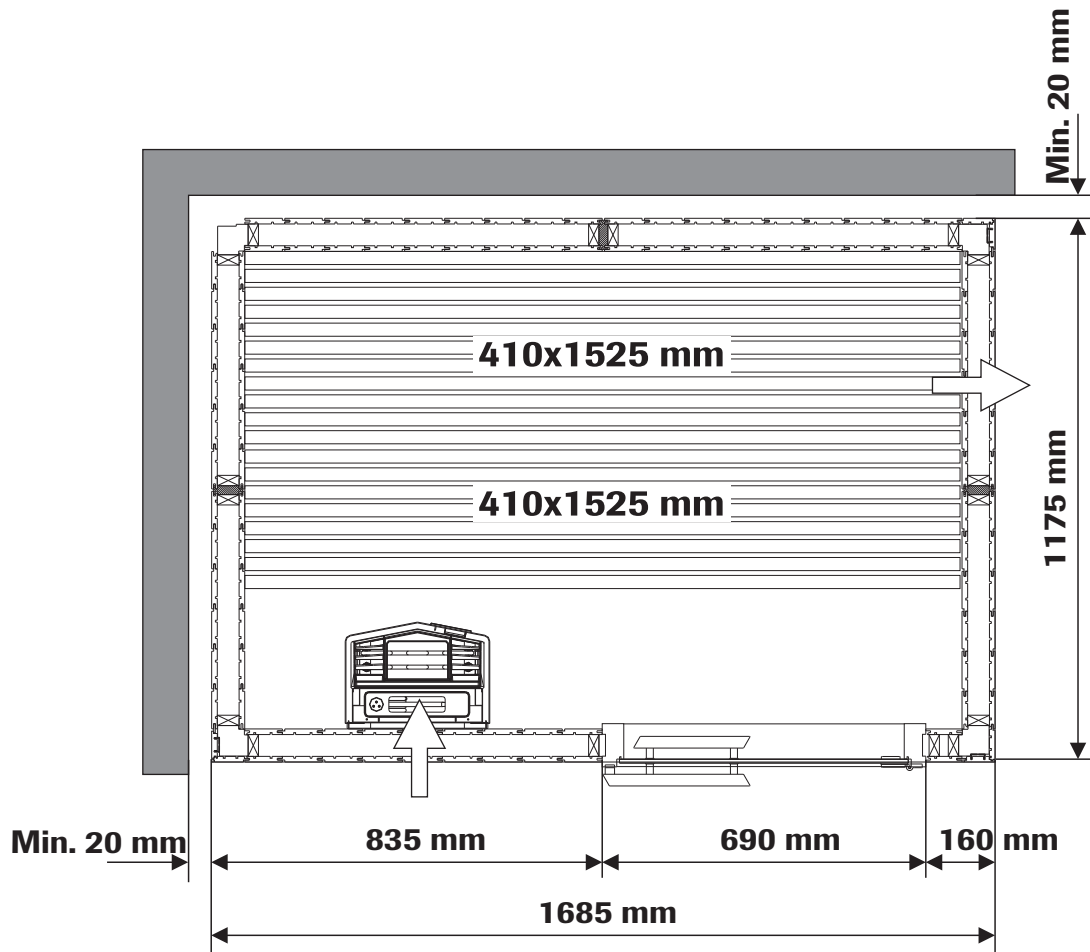


Layout 4



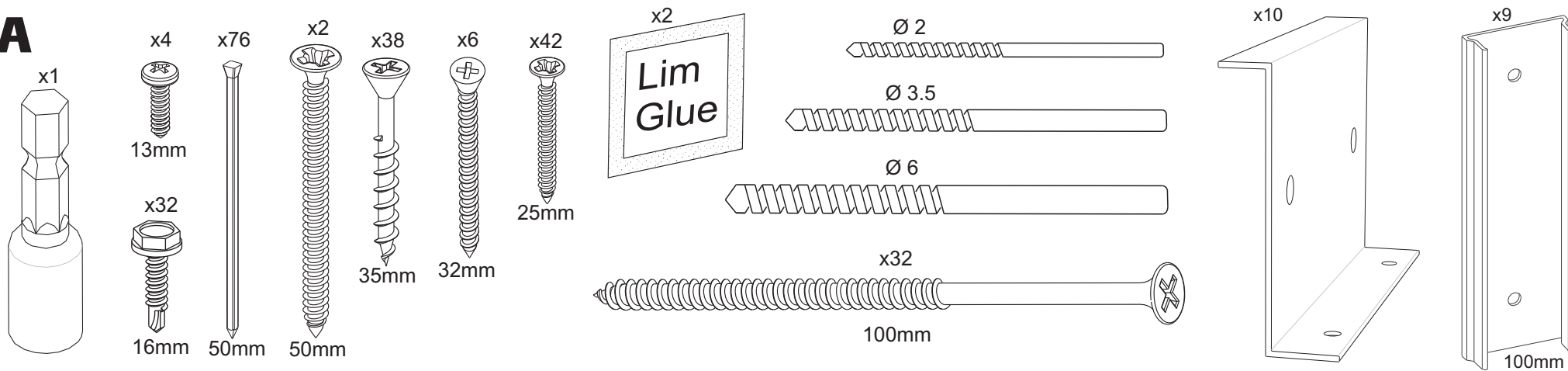
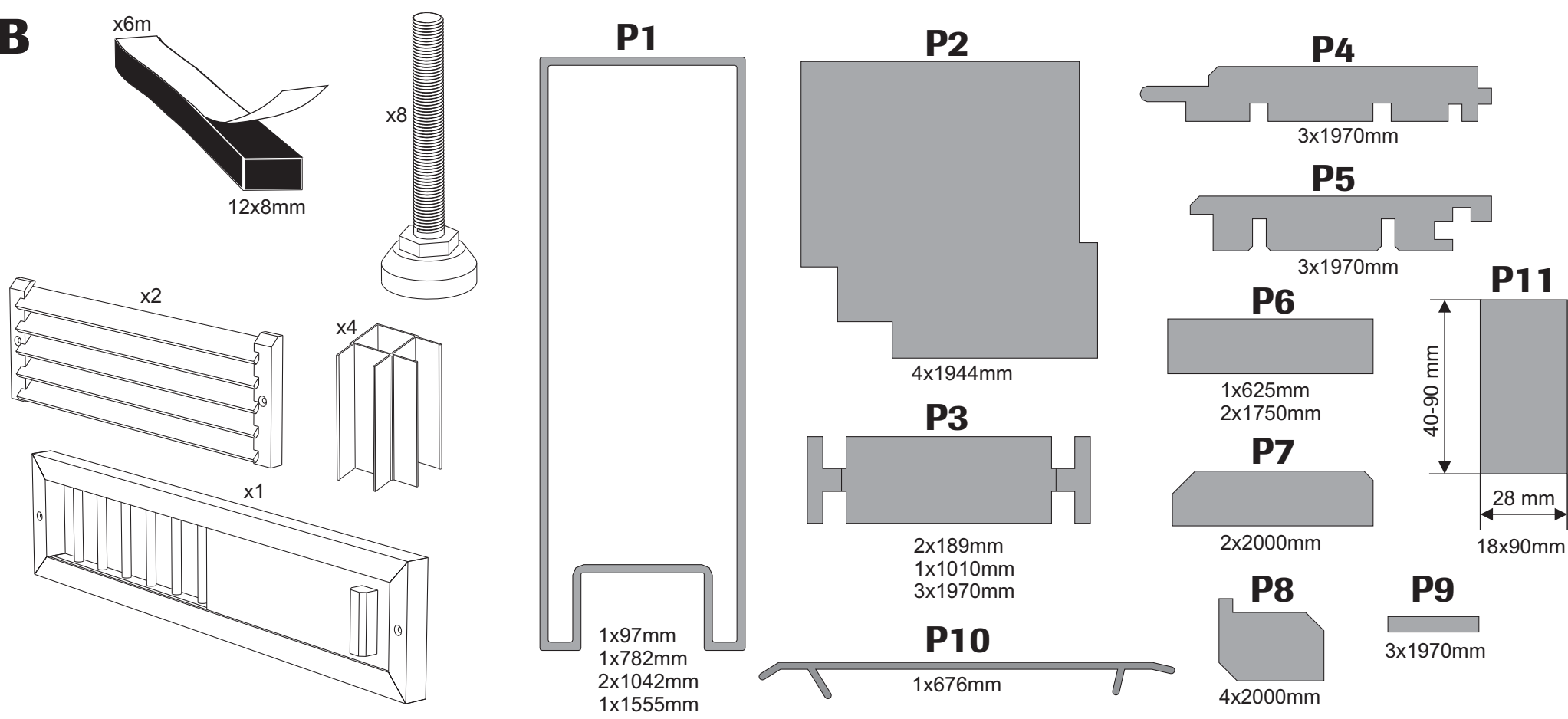
TYLÖ SAUNA E1712

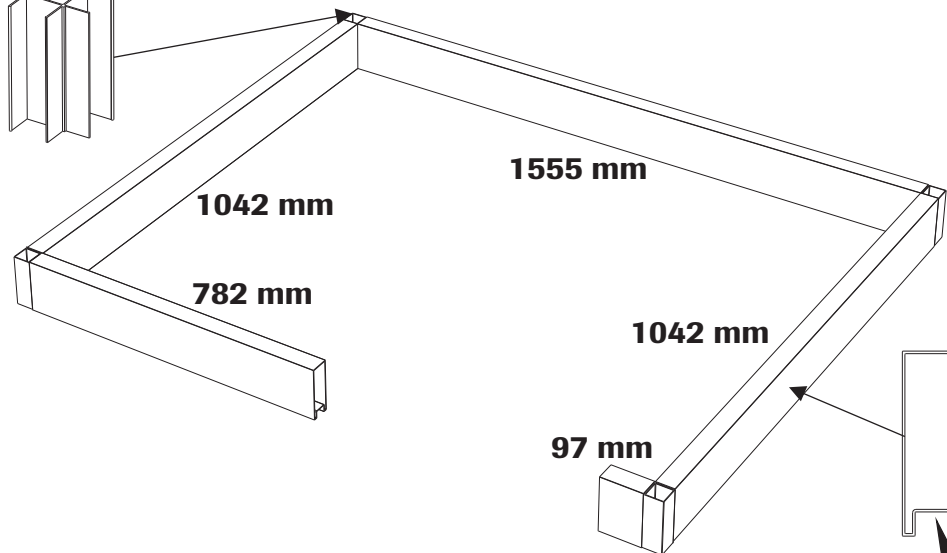
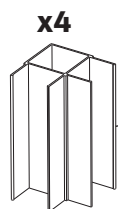
1111



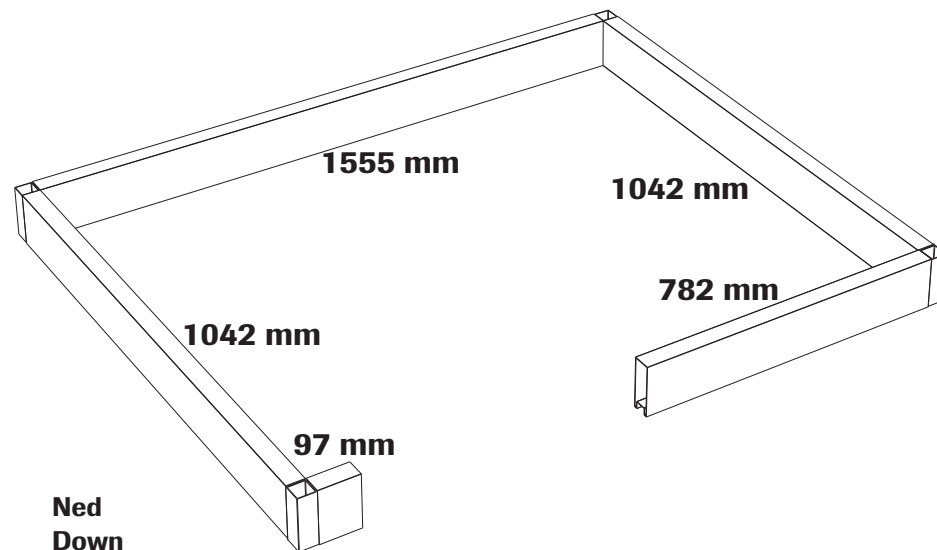
Art.nr 2900 4315

TYLÖ[®]
for the senses

A**B**

C

Layout: 1, 4, 5



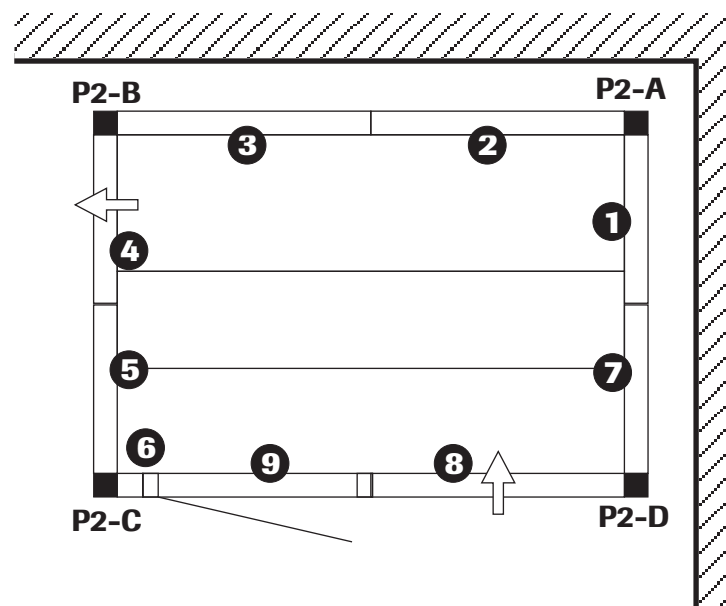
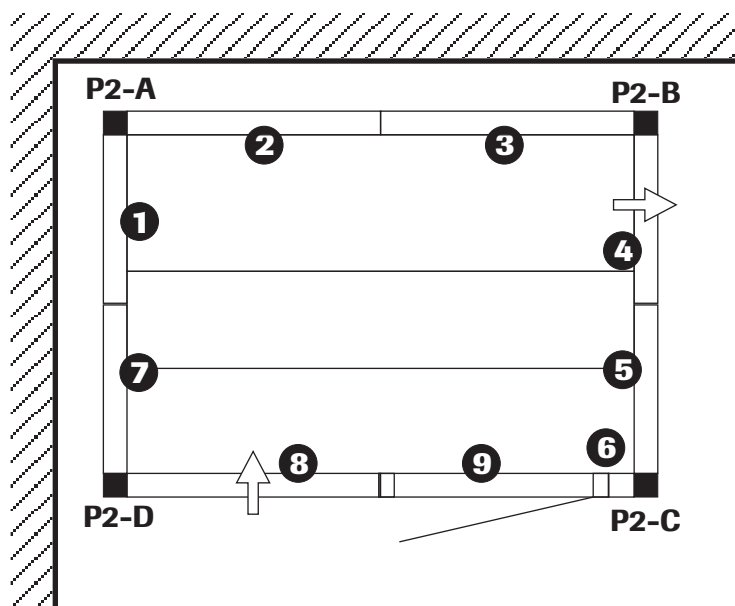
Layout: 2, 3, 6



Ned
Down
Nach unten
En bas

D

Monteringsordning - väggar
Assembly order - walls



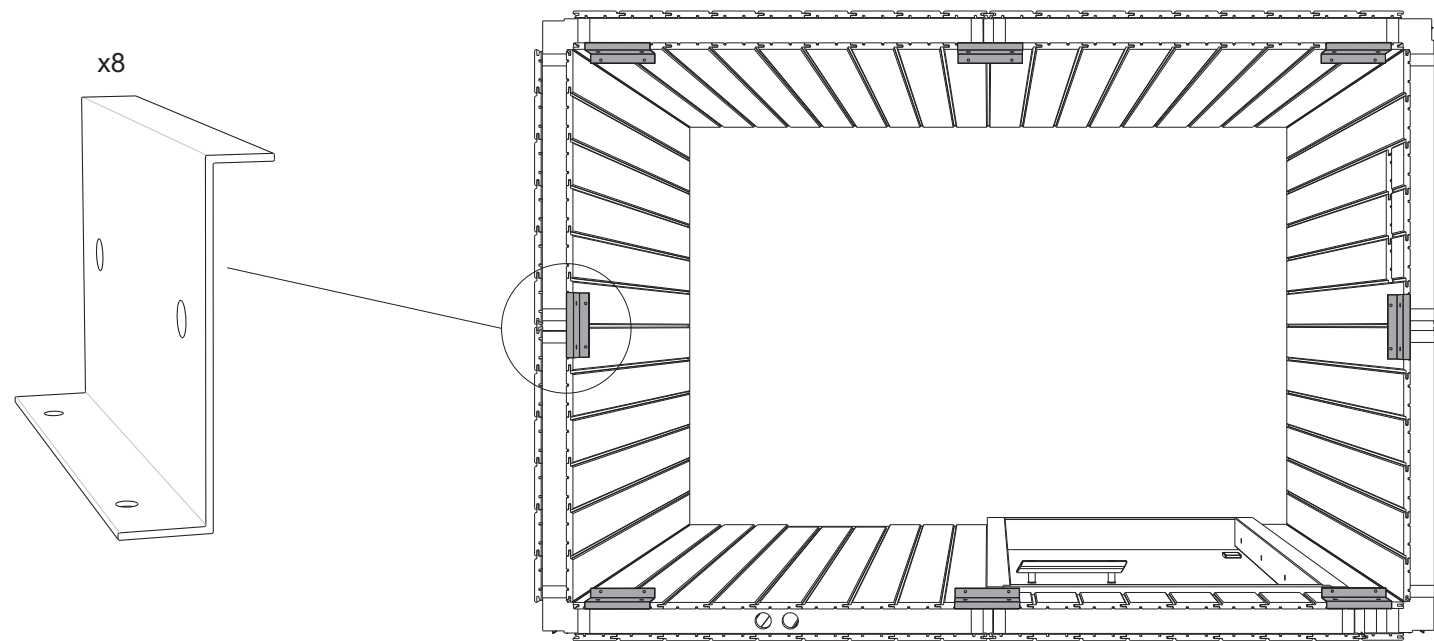
Väggyttermått
Wall outer dimensions

1 4 5 7	506 mm
2 3 8	762 mm
6	77 mm
9 (Dörr/door)	690 mm

E

Placering av skarvprofil.
Montering - se monteringsanvisning av rummet.

Location of the joint profile
Assembly - see installation instructions of the room.

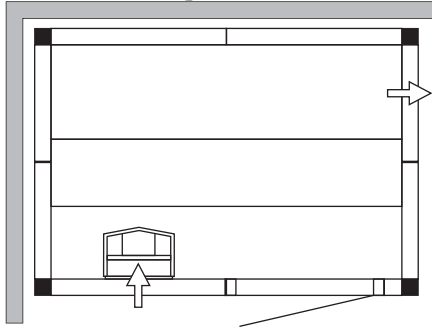


F Layouts 1712

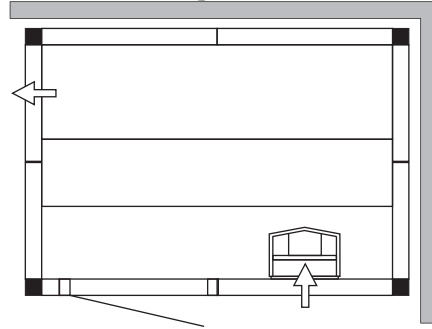
GV = Glass ventilation

Standard

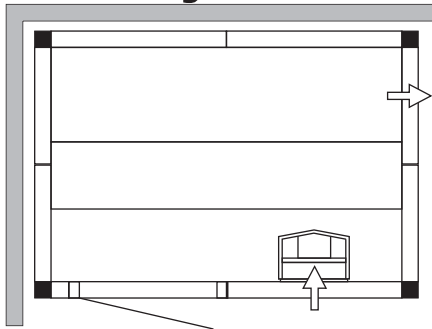
Layout 1



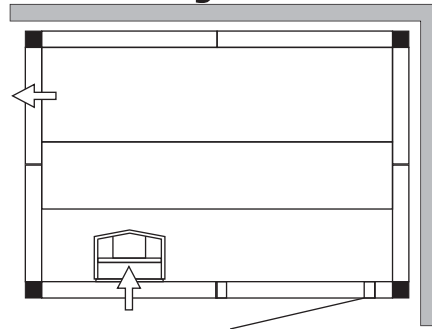
Layout 2



Layout 3

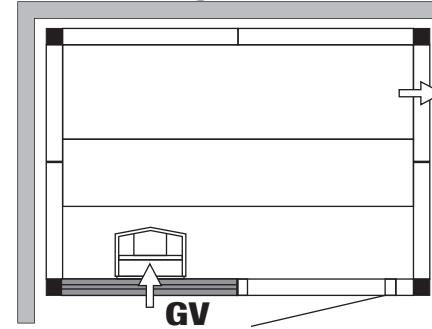


Layout 4

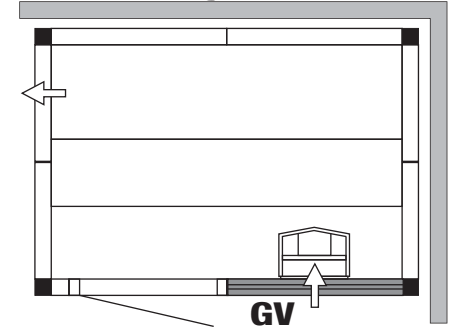


Standard with optional glass vent.

Layout 5

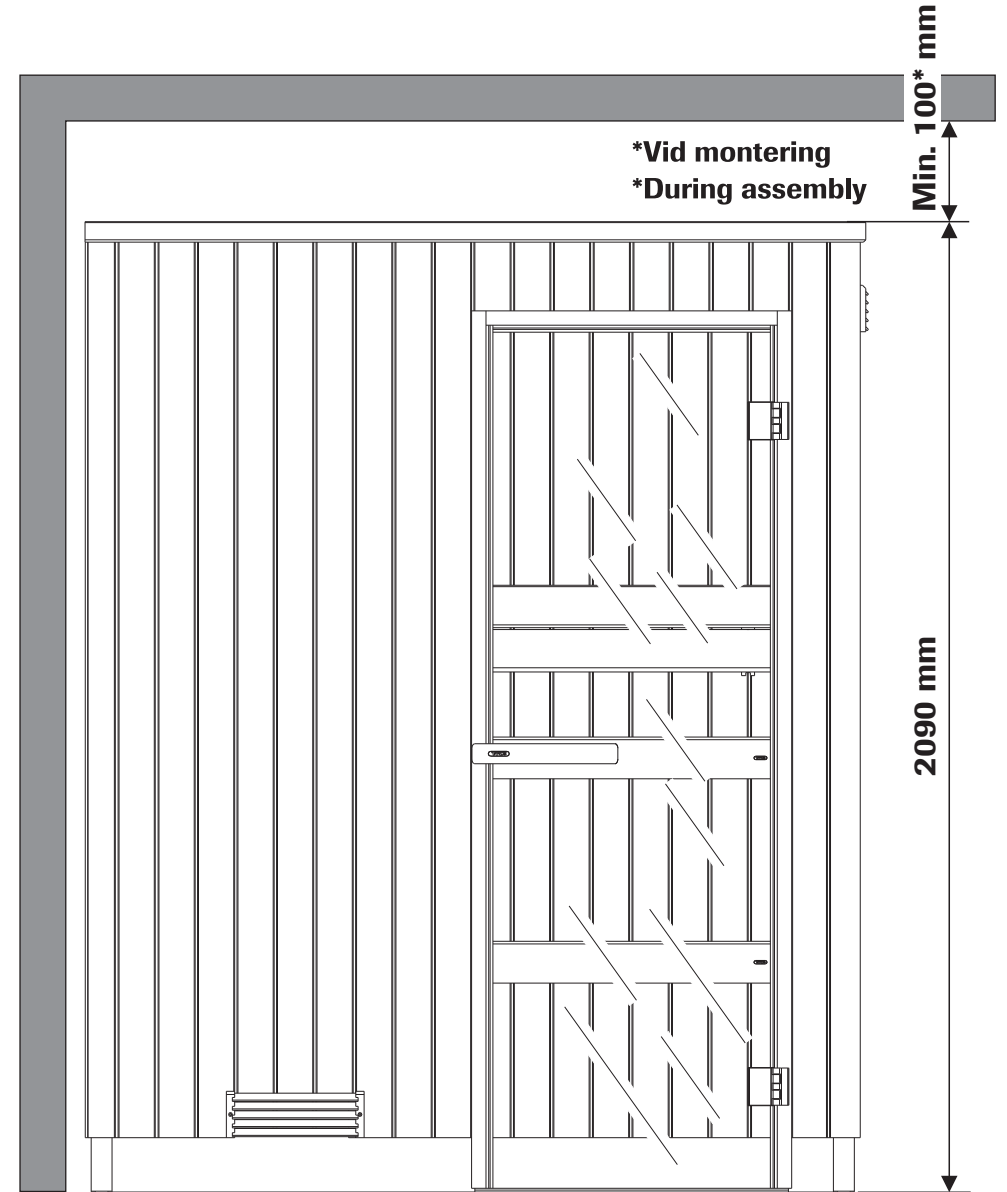
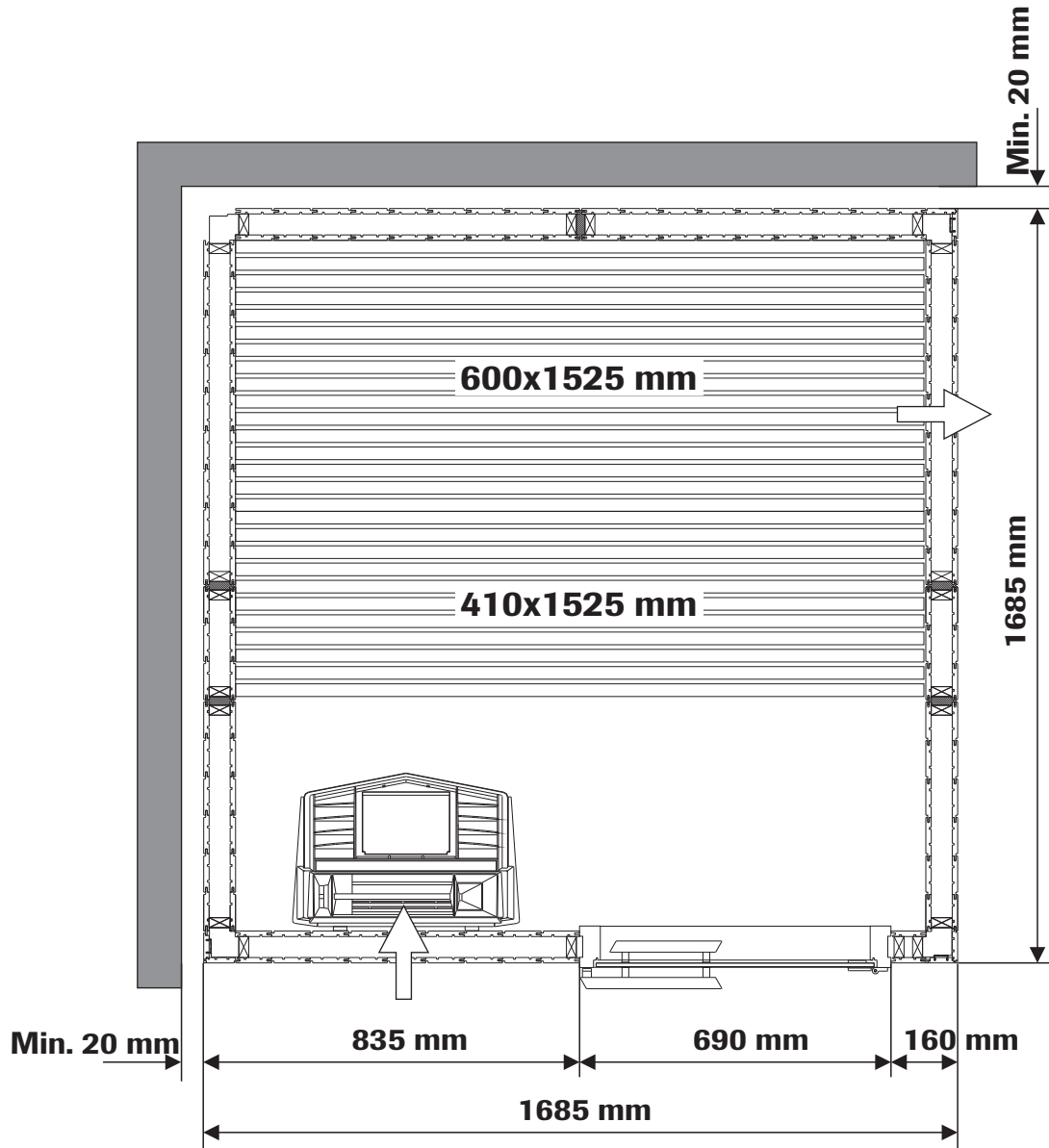


Layout 6



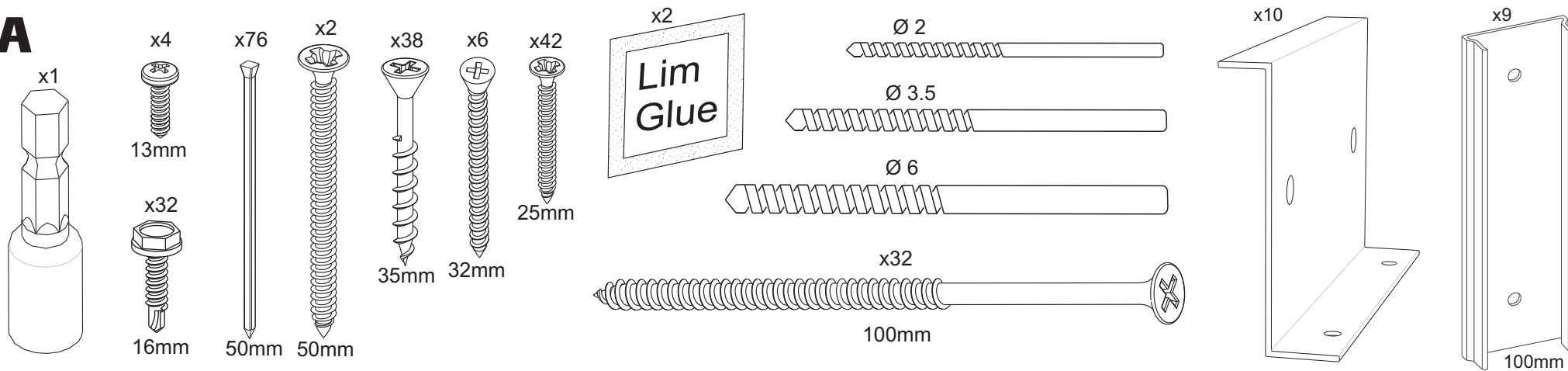
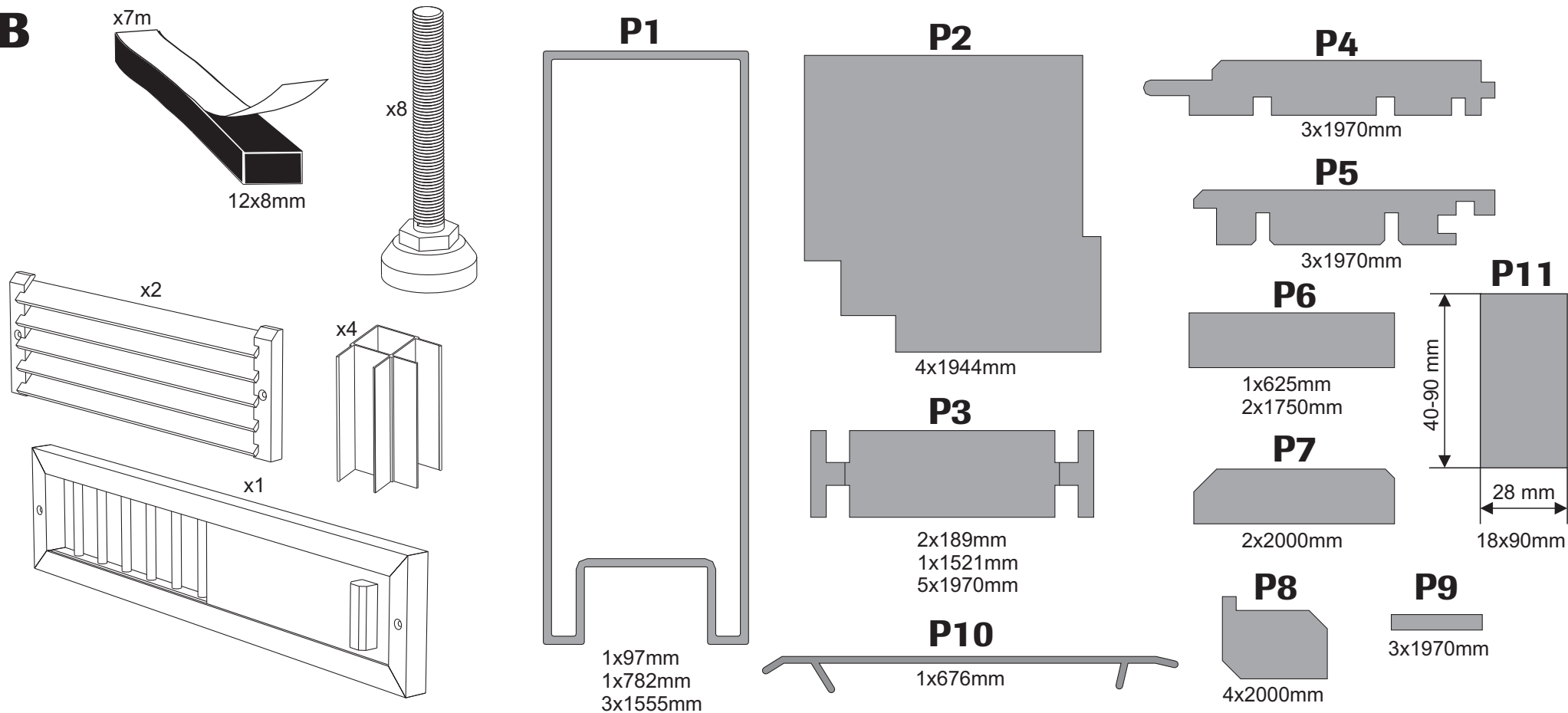
TYLÖ SAUNA E1717

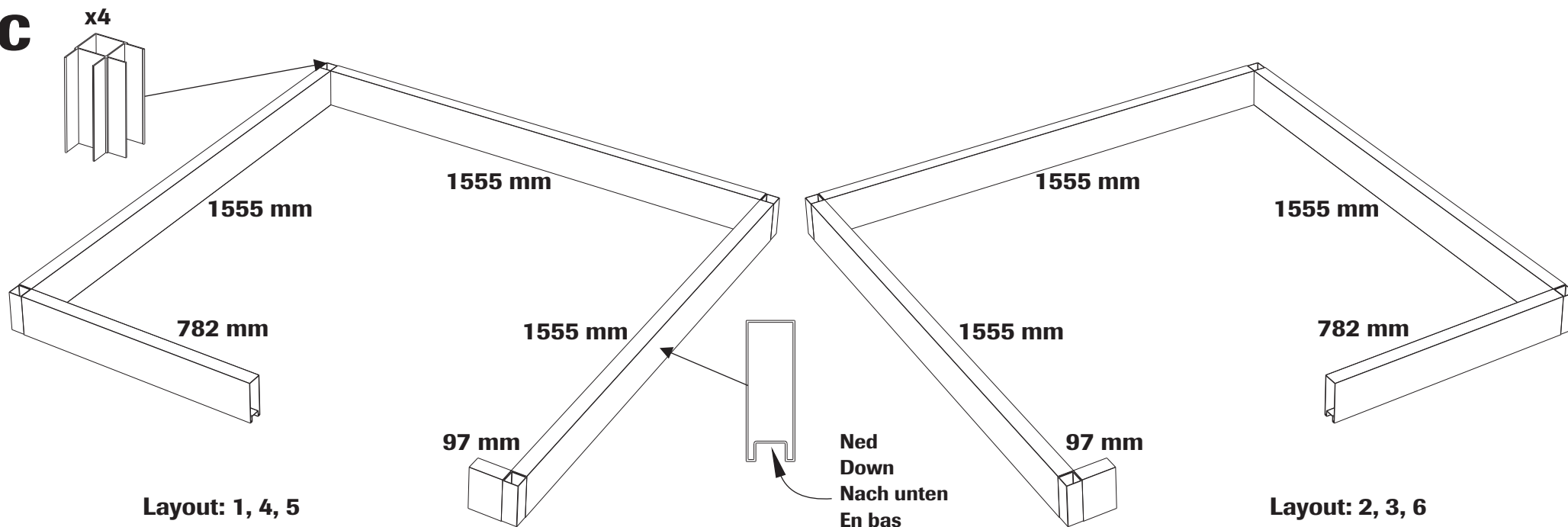
1111



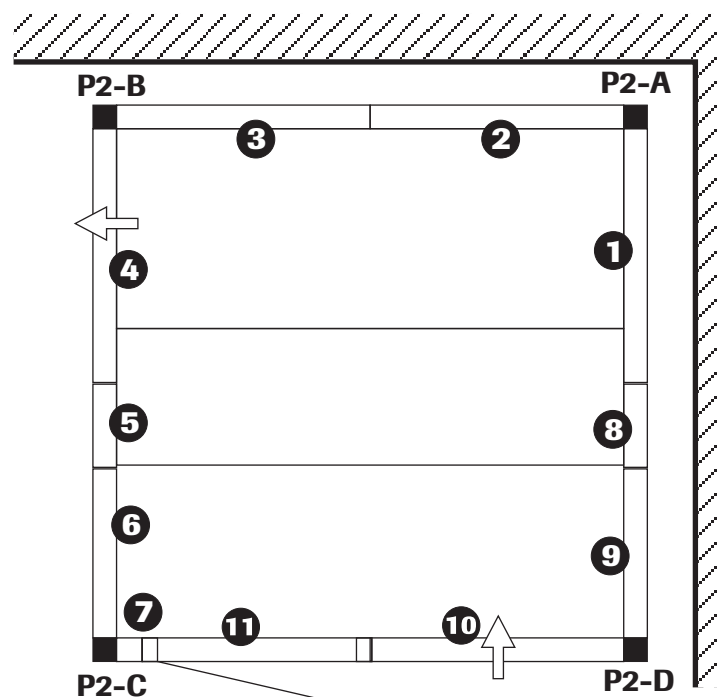
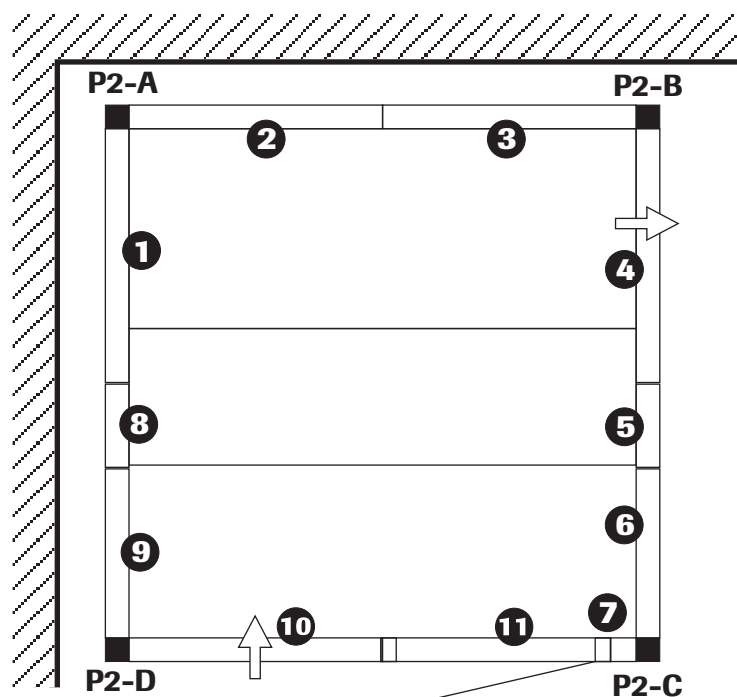
Art.nr 2900 4320

TYLÖ[®]
for the senses

A**B**

C**D**

Monteringsordning - väggar
Assembly order - walls



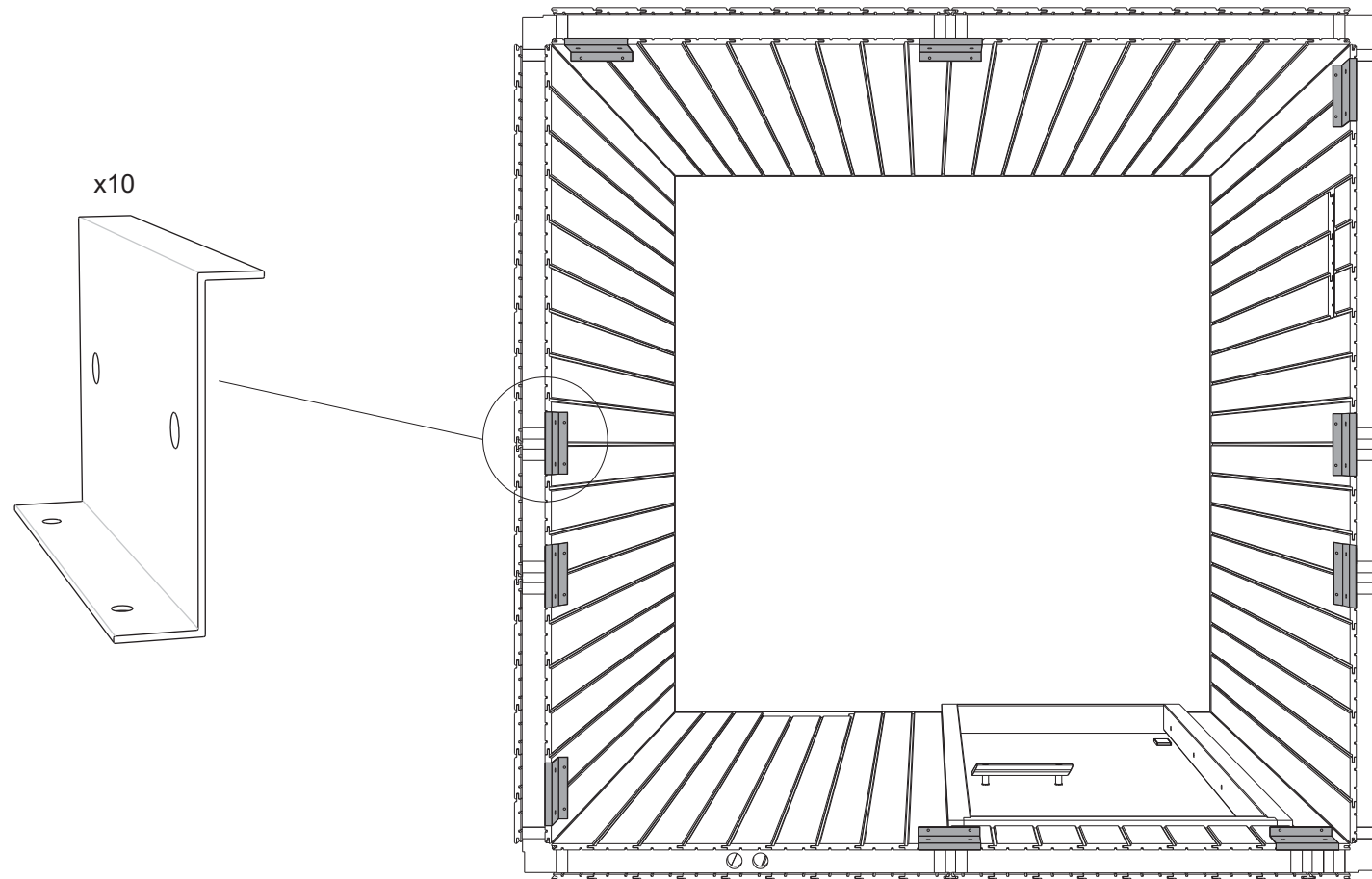
Väggyttermått
Wall outer dimensions

1 2 3	762 mm
4 10	
6 9	506 mm
5 8	250 mm
7	77 mm
11 (Dörr/door)	690 mm

E

Placering av skarvprofil.
Montering - se monteringsanvisning av rummet.

Location of the joint profile
Assembly - see installation instructions of the room.

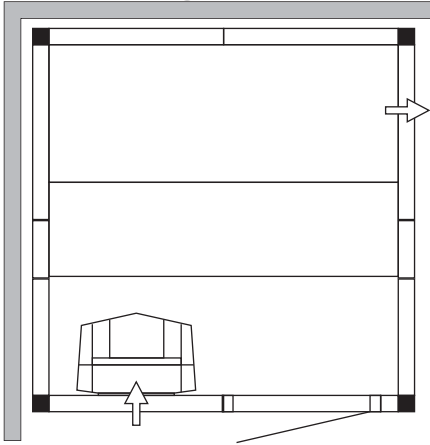


F Layouts 1717

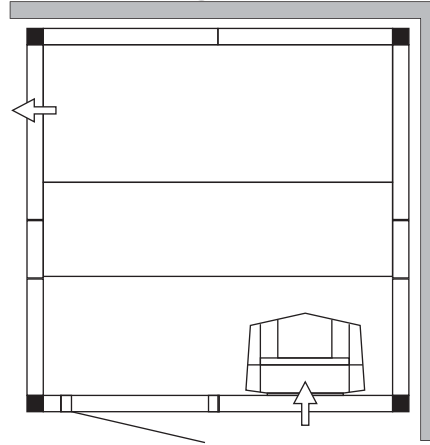
G = Glass
GV = Glass ventilation

Standard

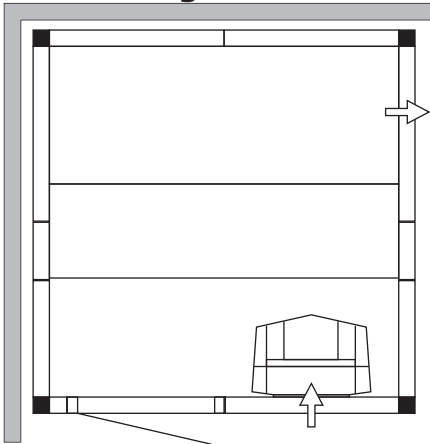
Layout 1



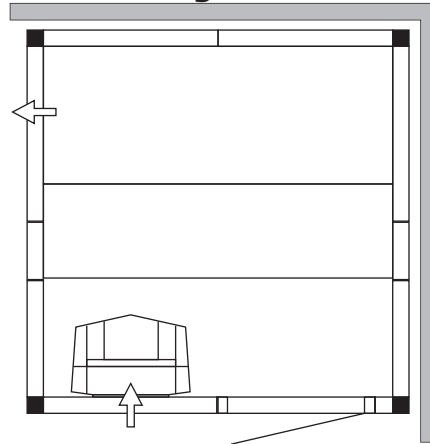
Layout 2



Layout 3

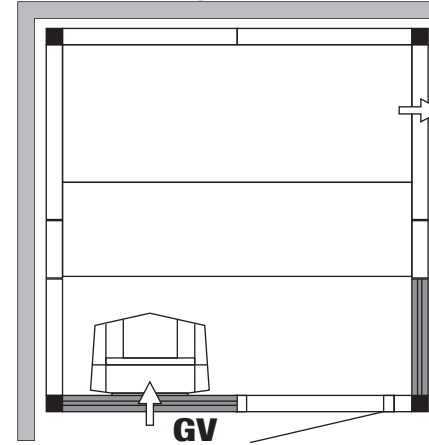


Layout 4

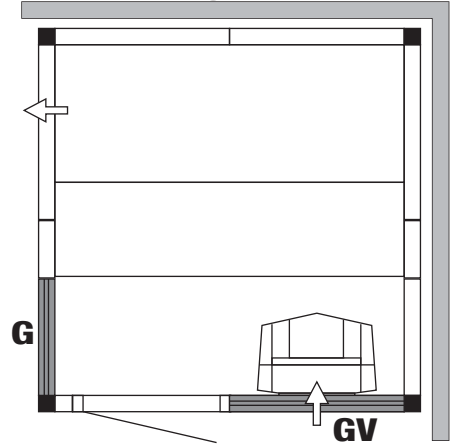


Standard with optional glass section + glass vent.

Layout 5

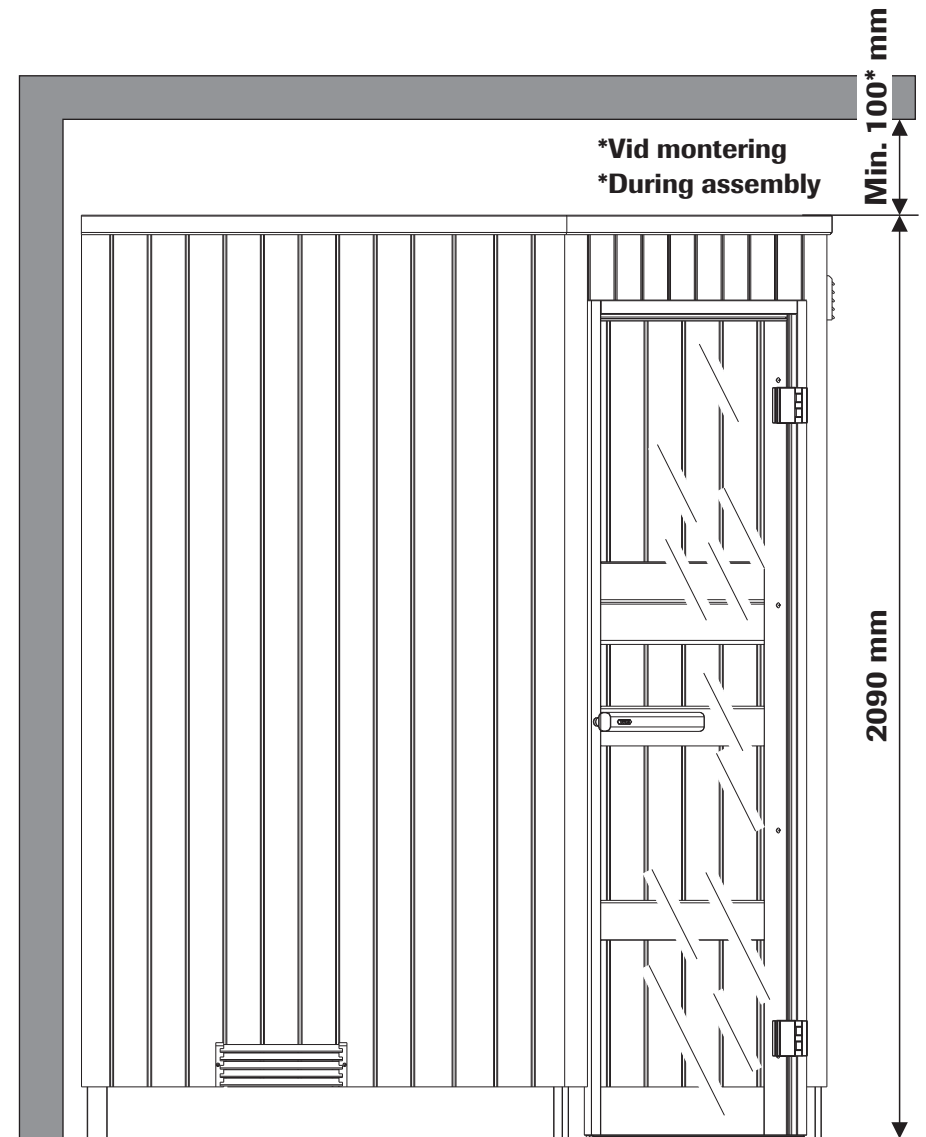
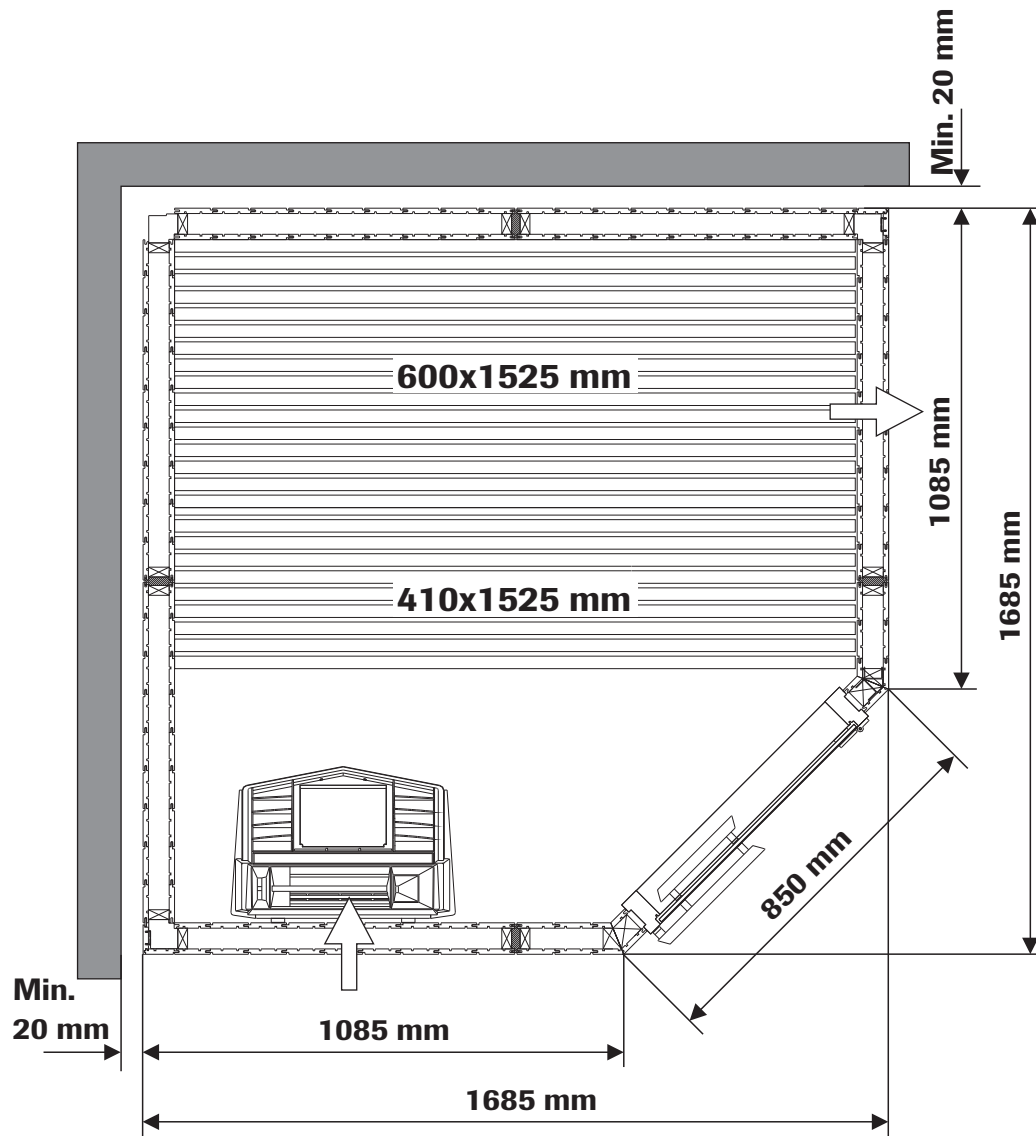


Layout 6



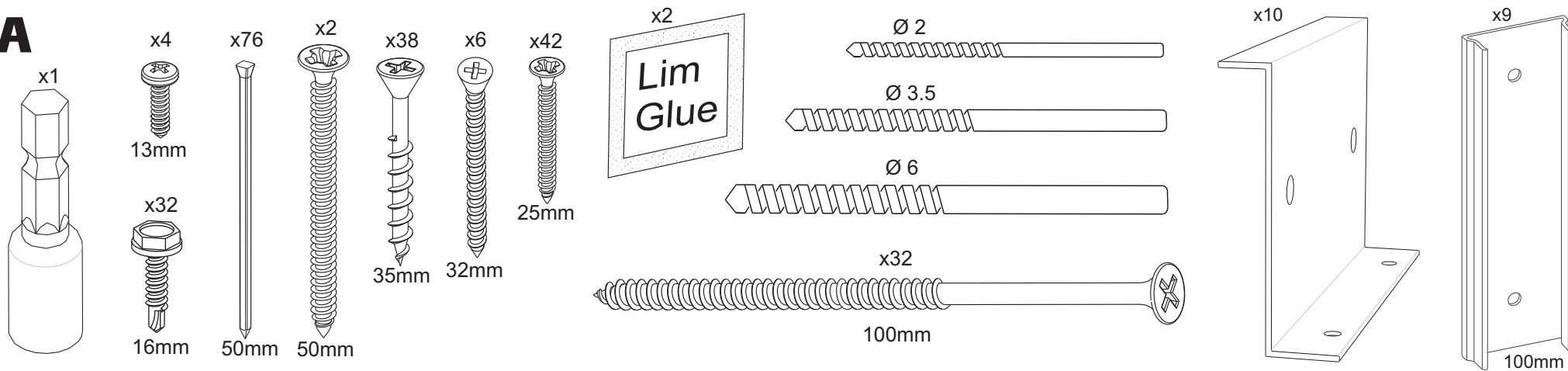
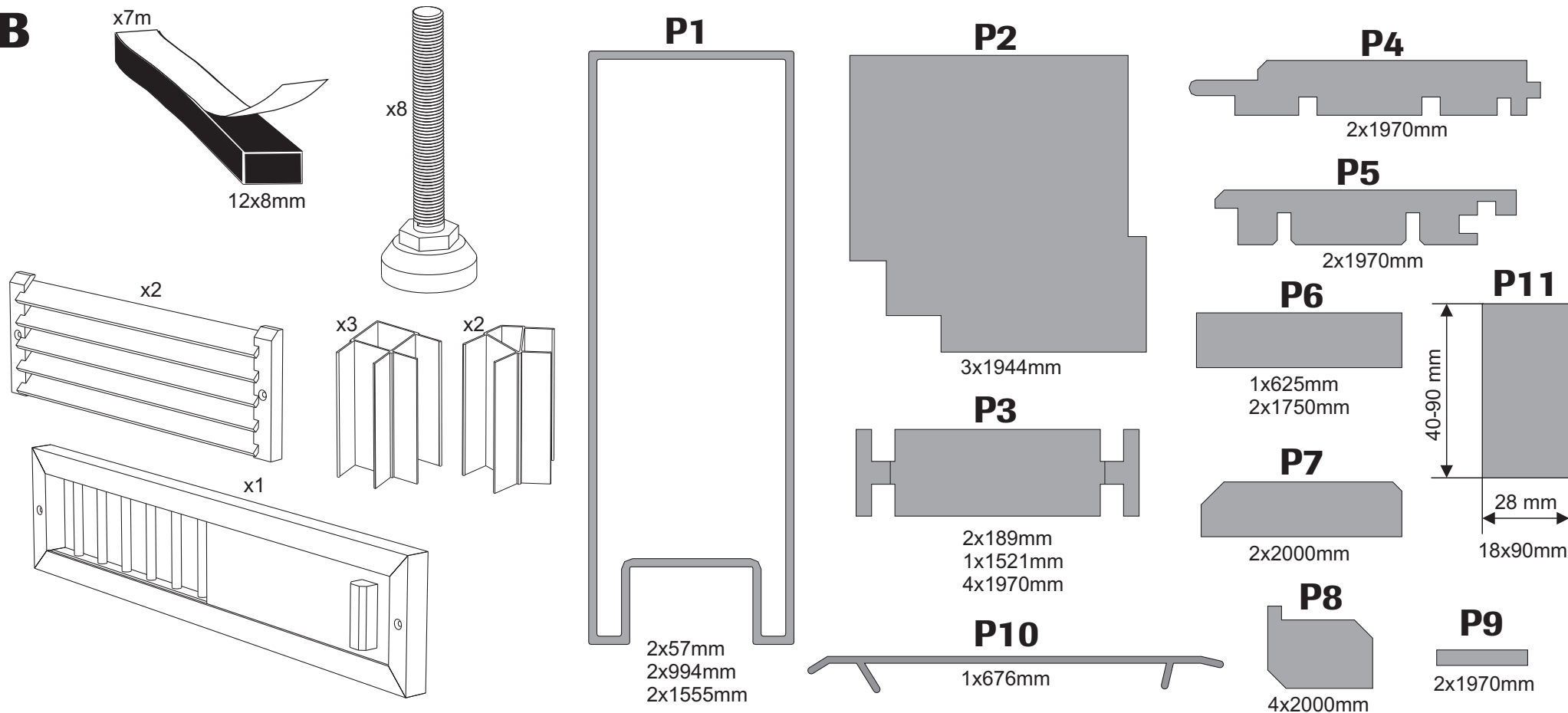
TYLÖ SAUNA E1717/c

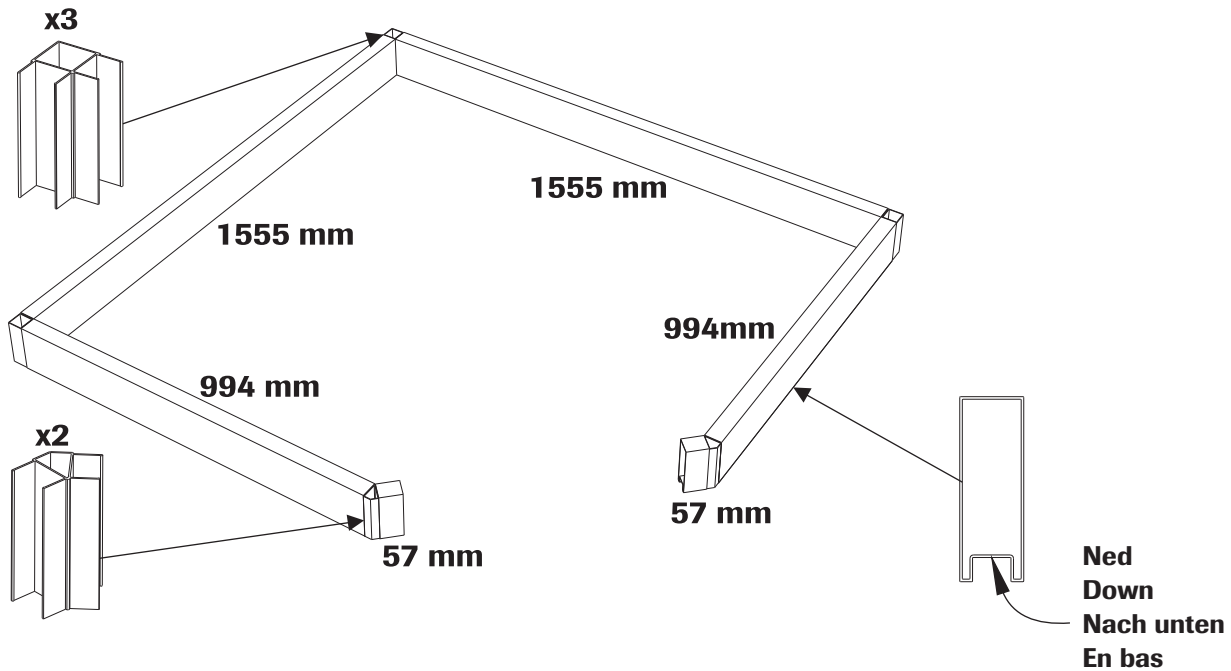
1111



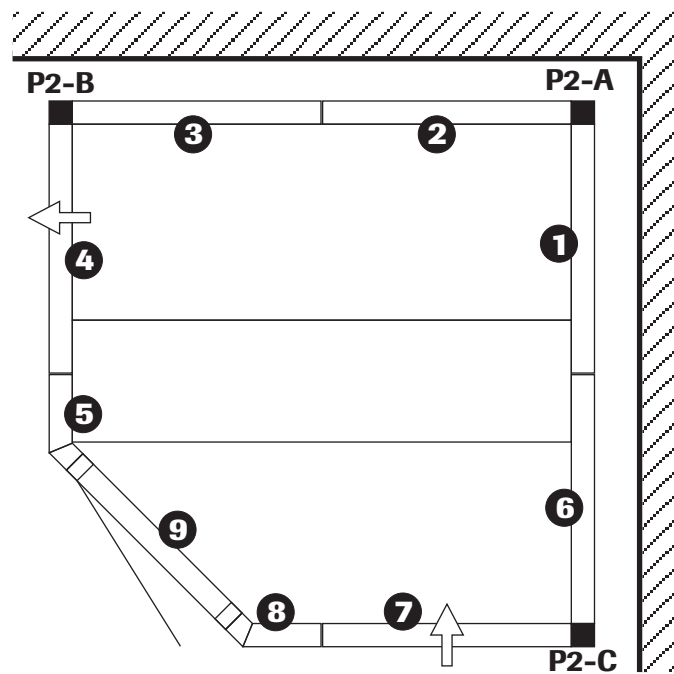
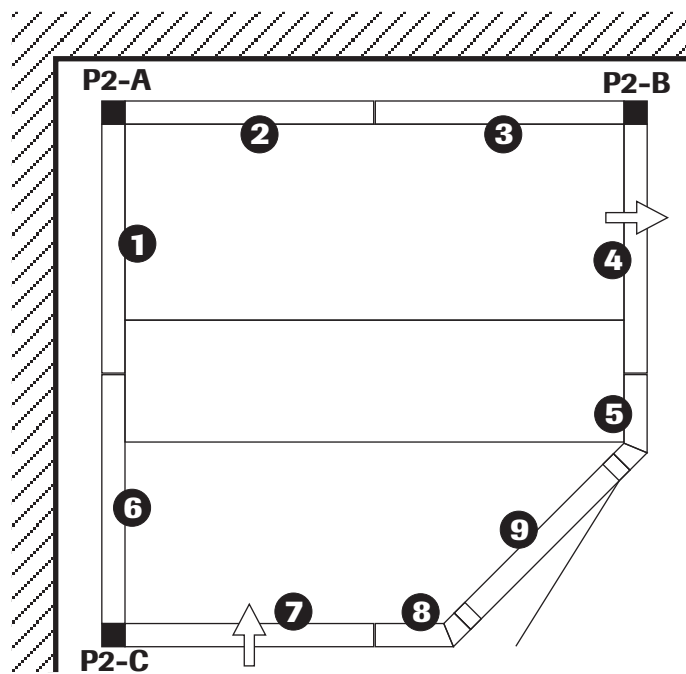
Art.nr 2900 4325

TYLÖ[®]
for the senses

A**B**

C**D**

Monteringsordning - väggar
Assembly order - walls



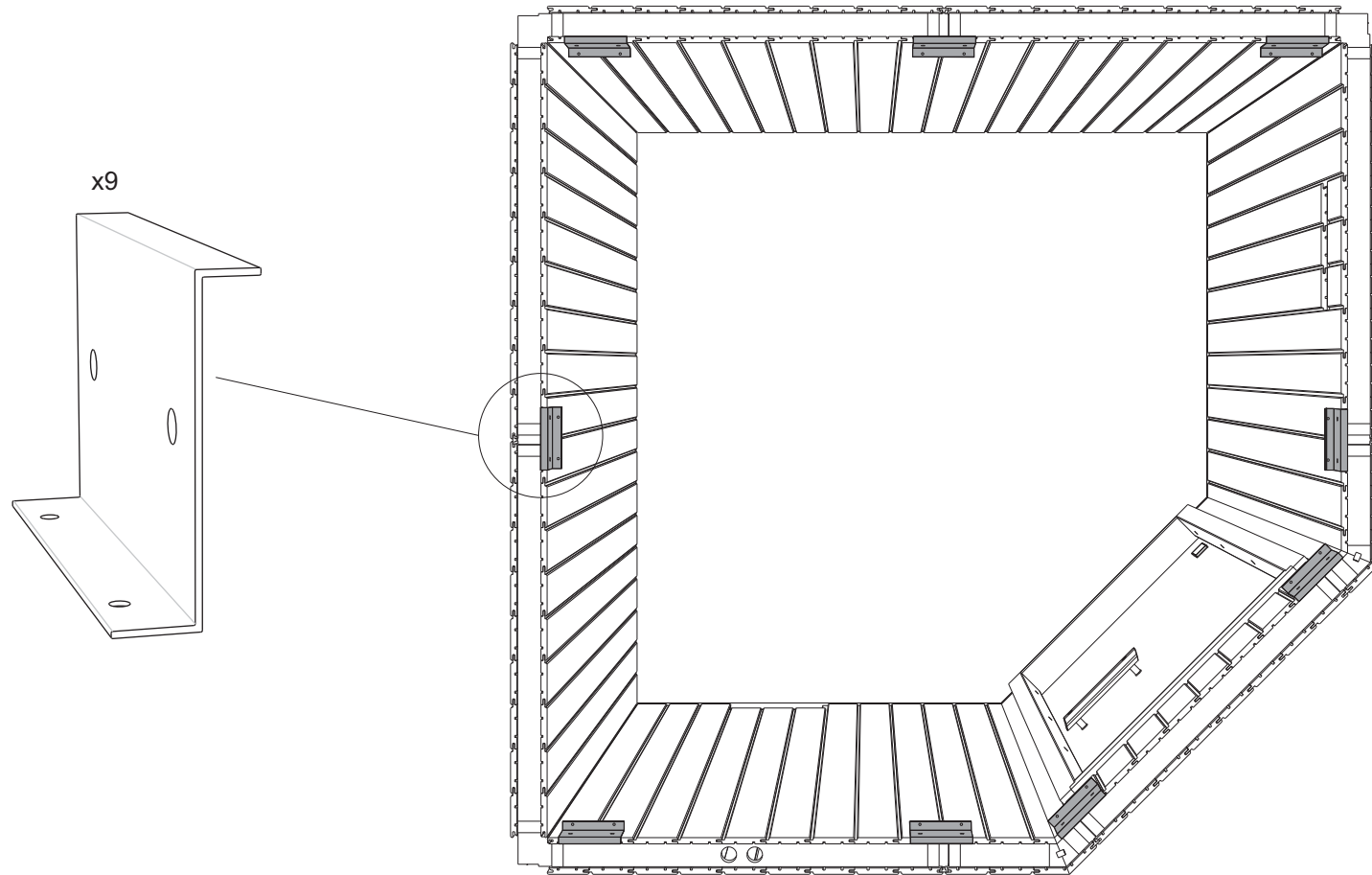
Väggyttermått
Wall outer dimensions

1 2 3	762 mm
4 6 7	
5 8	75/239 mm
9 (Dörr/door)	690 mm

E

Placering av skarvprofil.
Montering - se monteringsanvisning av rummet.

Location of the joint profile
Assembly - see installation instructions of the room.

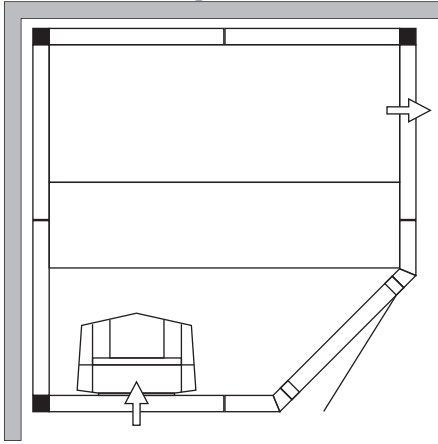


F Layouts 1717/c

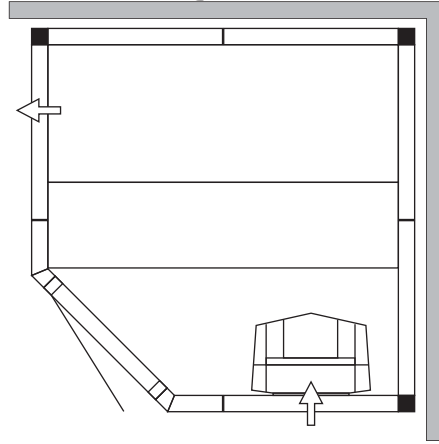
GV = Glass ventilation

Standard

Layout 1

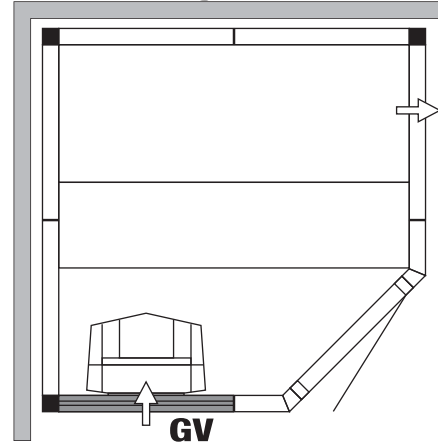


Layout 2

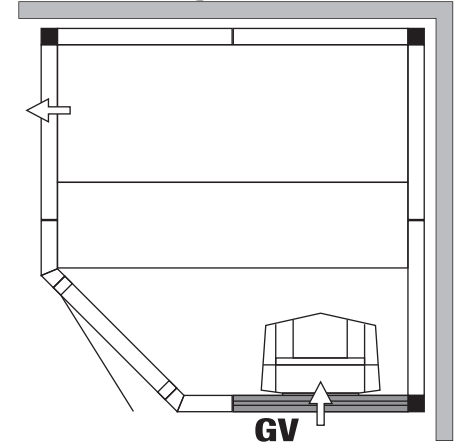


Standard with optional glass vent.

Layout 3

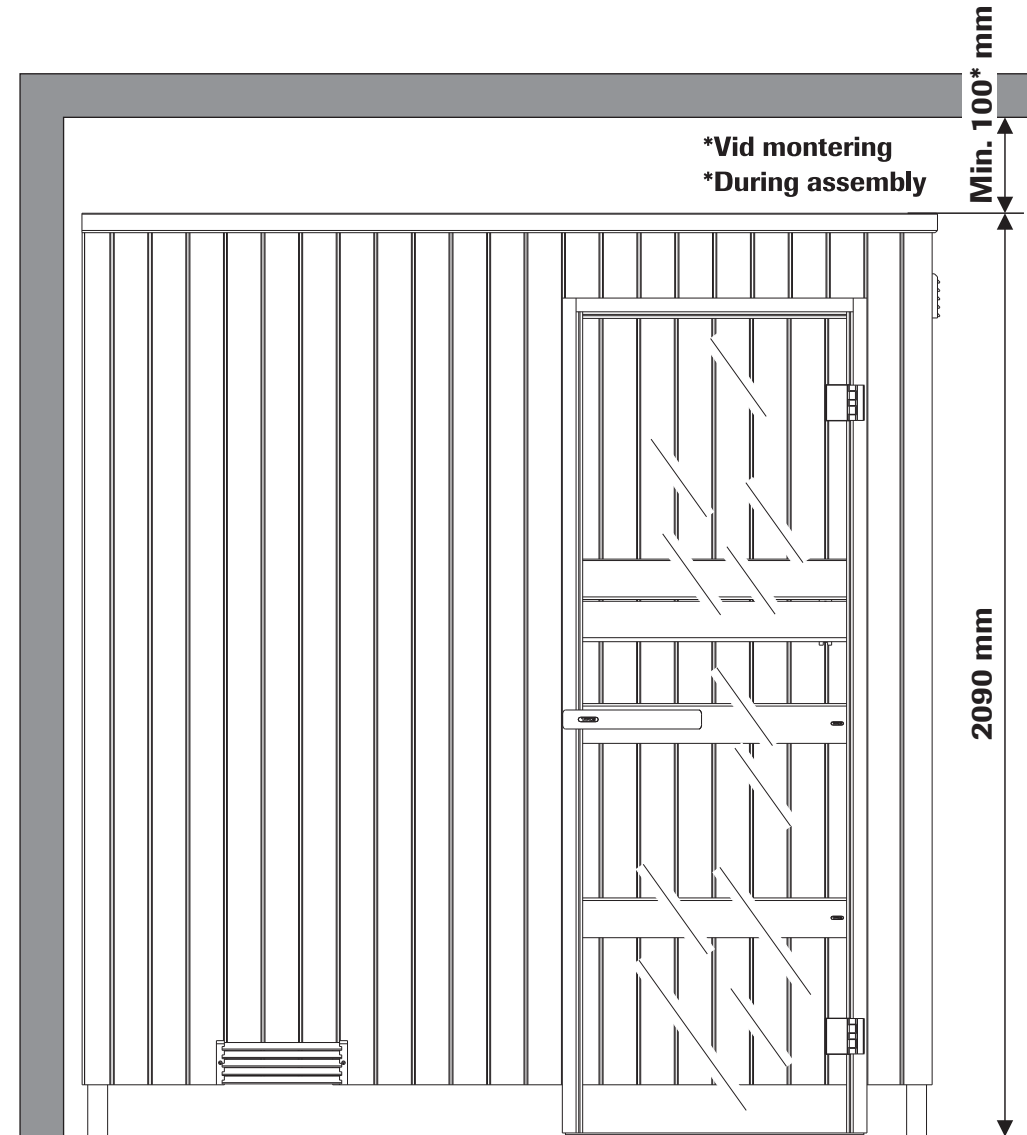
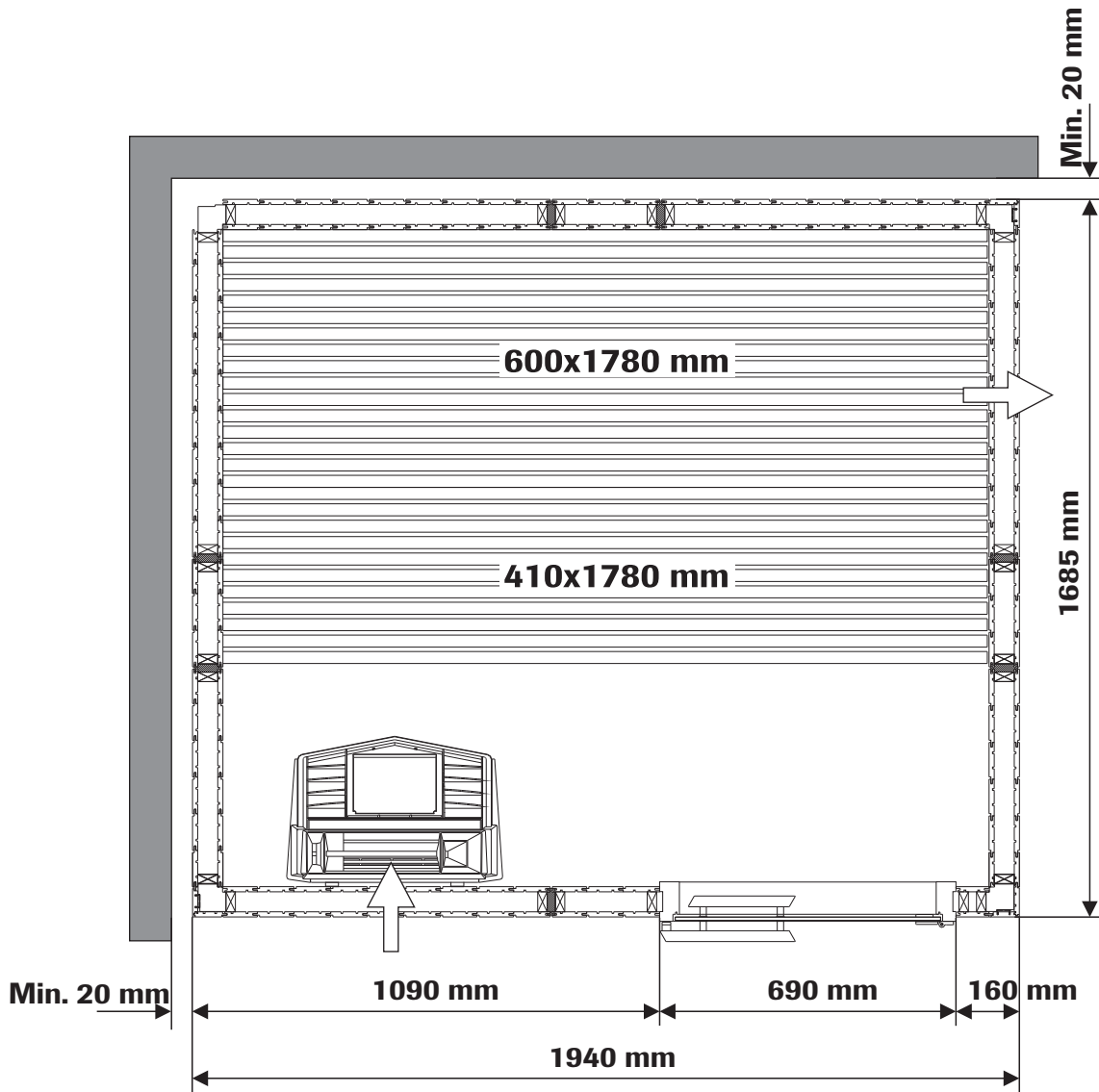


Layout 4



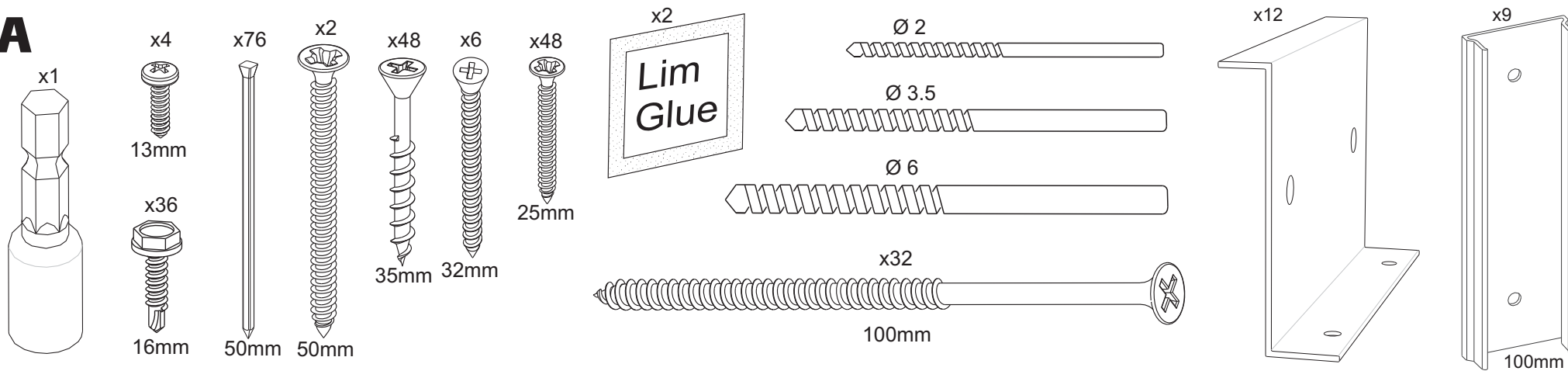
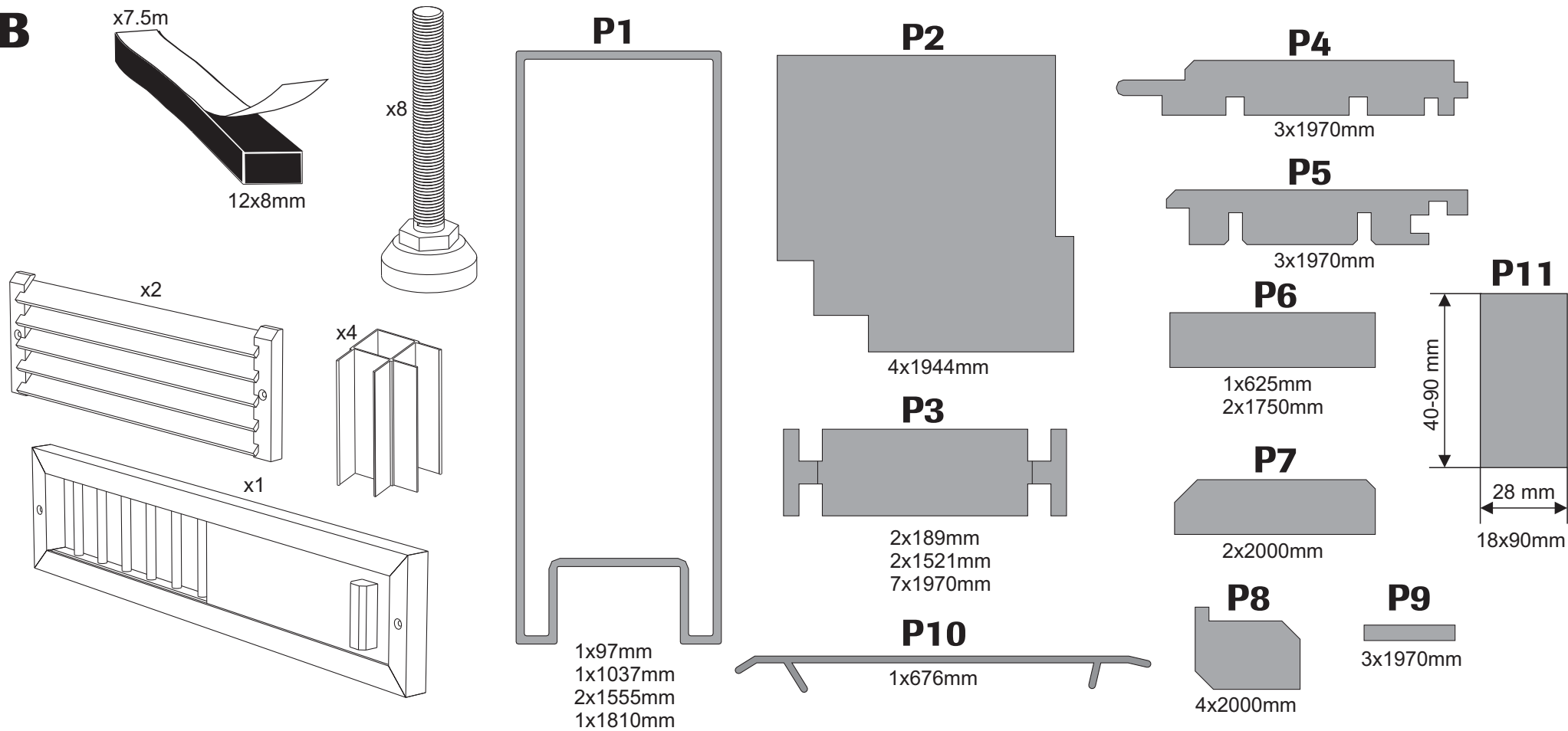
TYLÖ SAUNA E1917

1111



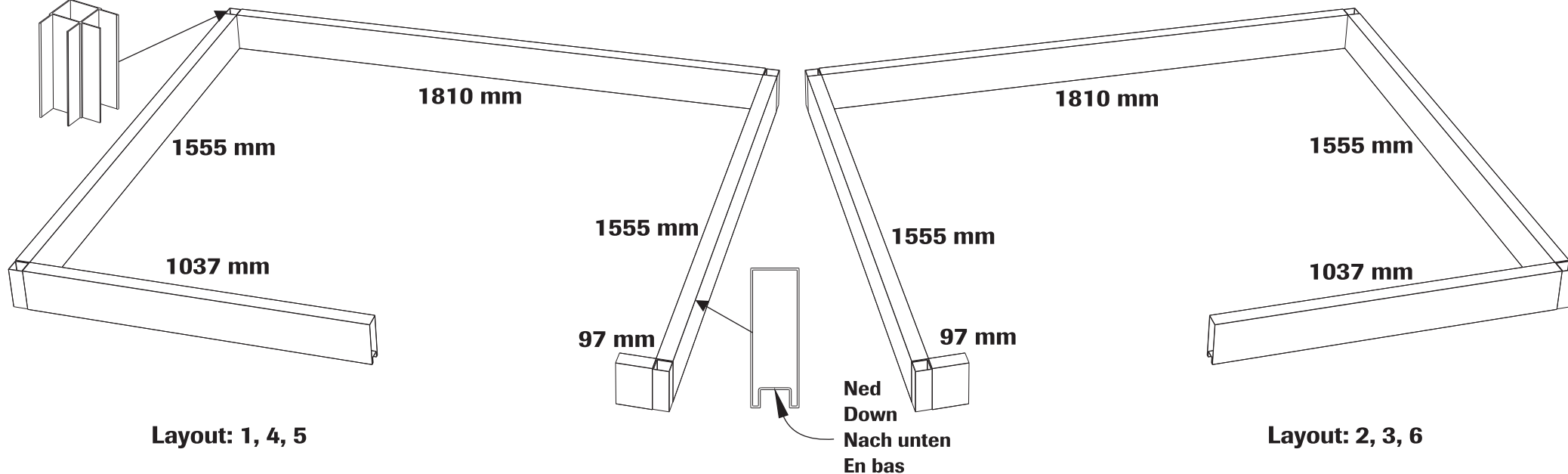
Art.nr 2900 4330

TYLÖ[®]
for the senses

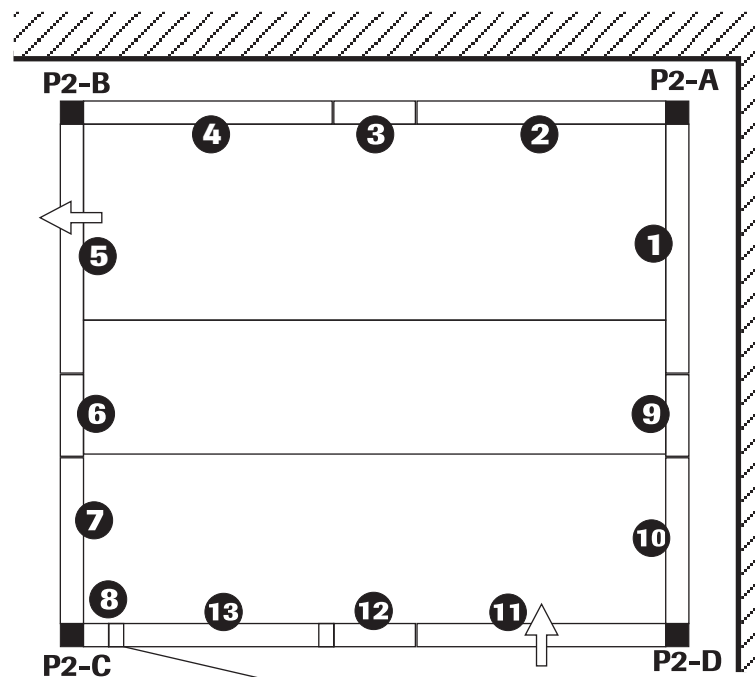
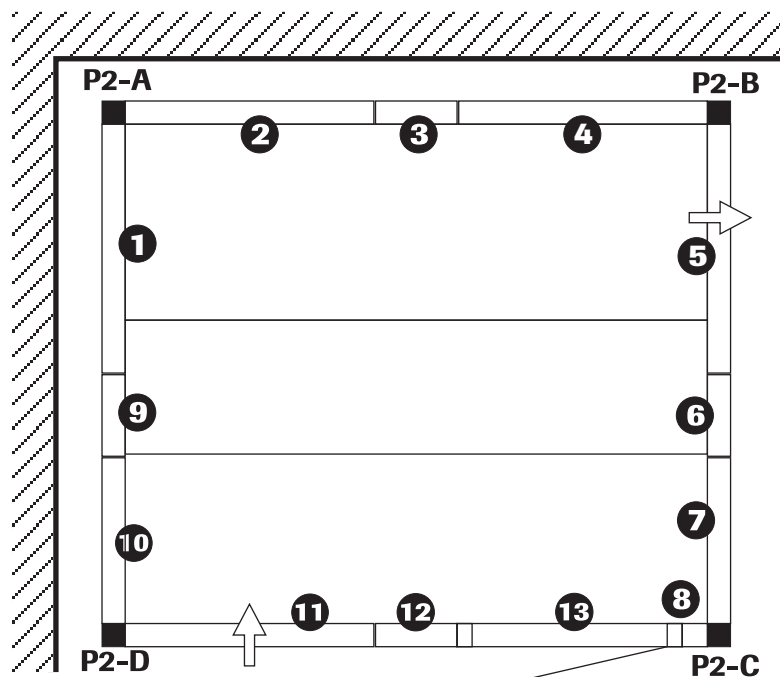
A**B**

C

x4

**D**

Monteringsordning - väggar
Assembly order - walls



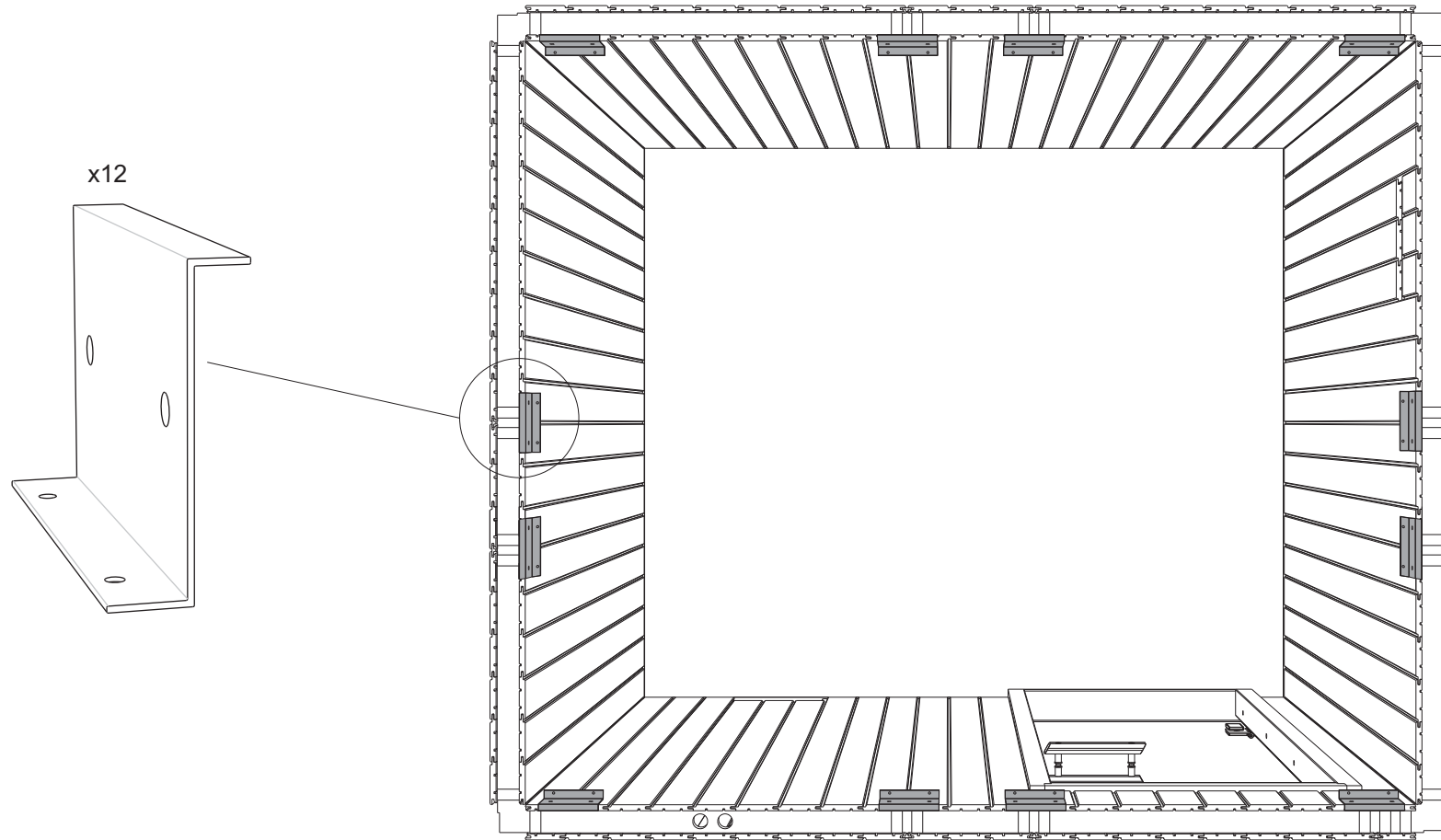
Väggyttermått
Wall outer dimensions

1 2 4	762 mm
5 11	
7 10	506 mm
3 6 9	250 mm
12	
8	77 mm
13	690 mm
(Dörr/door)	

E

Placering av skarvprofil.
Montering - se monteringsanvisning av rummet.

Location of the joint profile
Assembly - see installation instructions of the room.

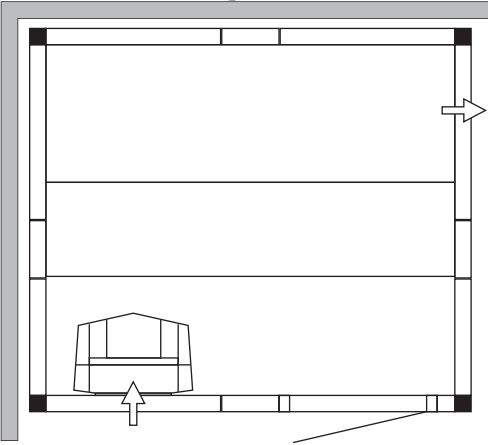


F Layouts 1917

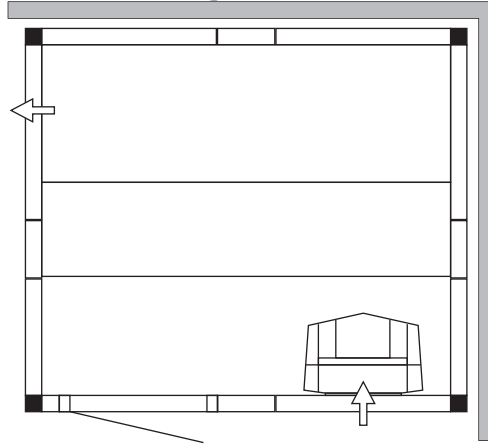
G = Glass
GV = Glass ventilation

Standard

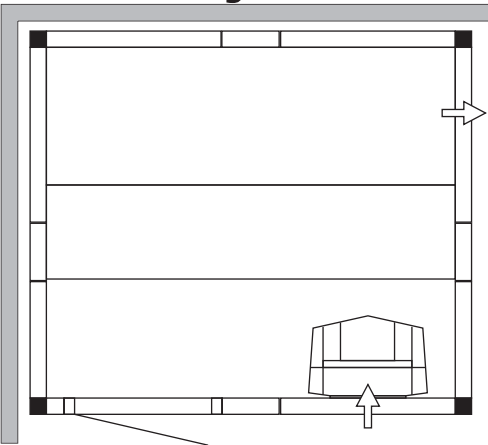
Layout 1



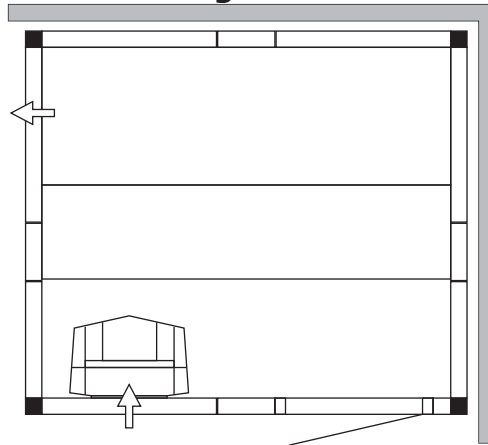
Layout 2



Layout 3

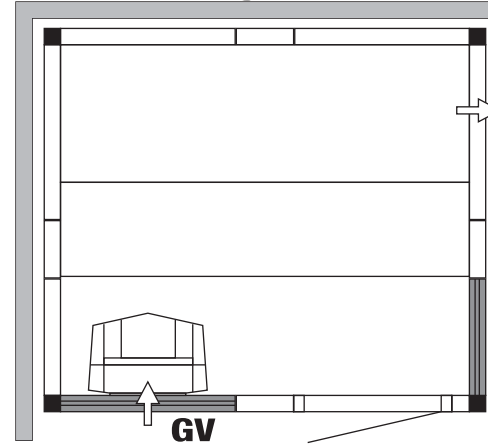


Layout 4

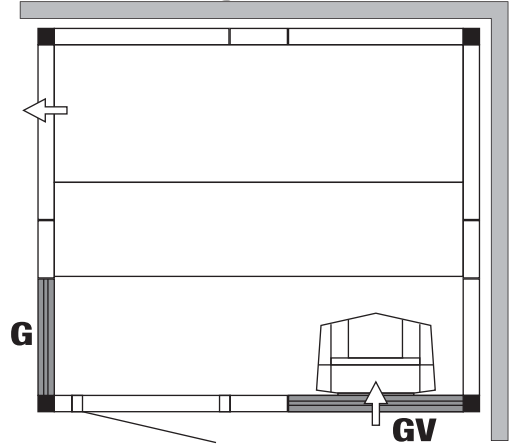


Standard with optional glass section + glass vent.

Layout 5

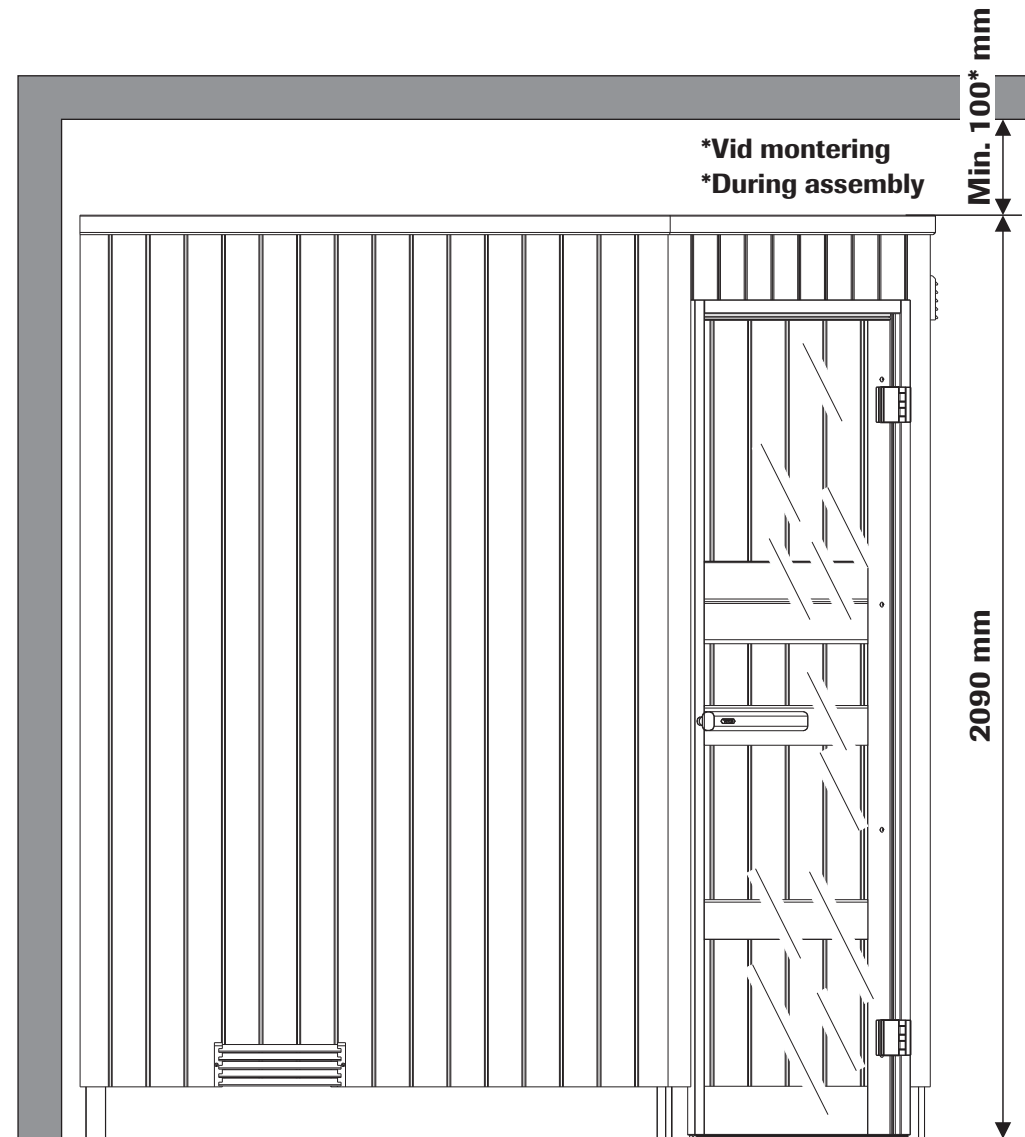
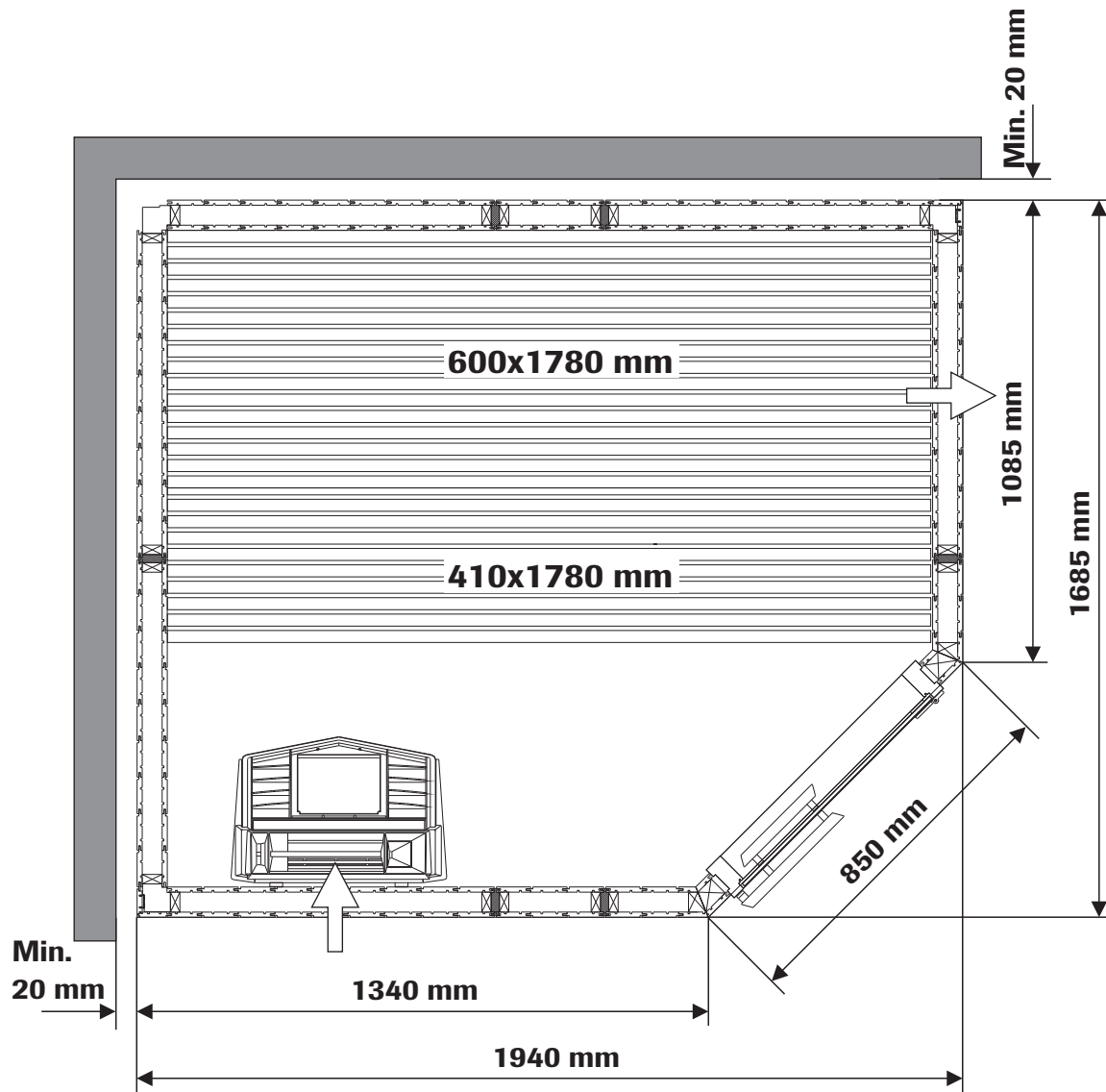


Layout 6



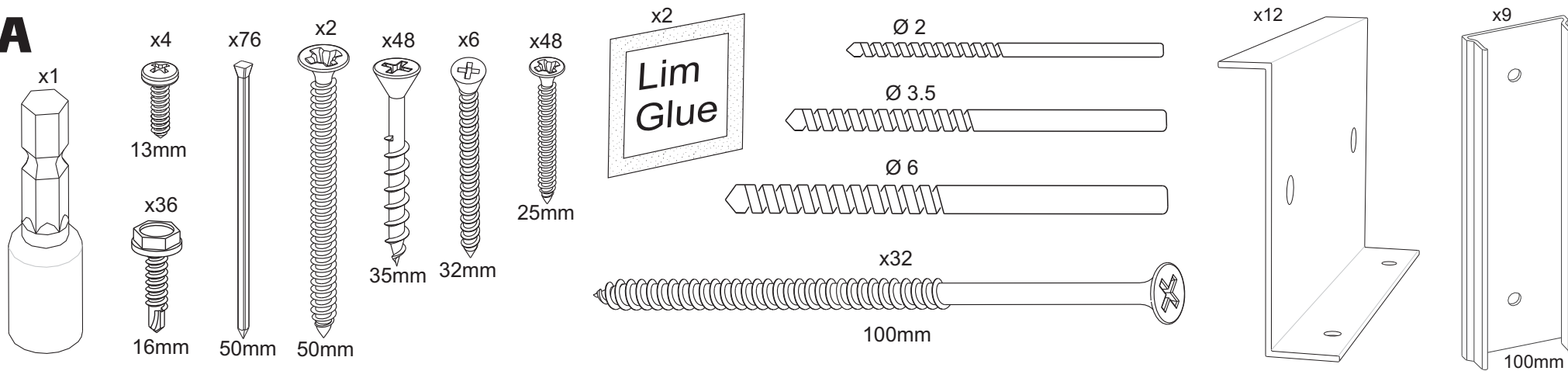
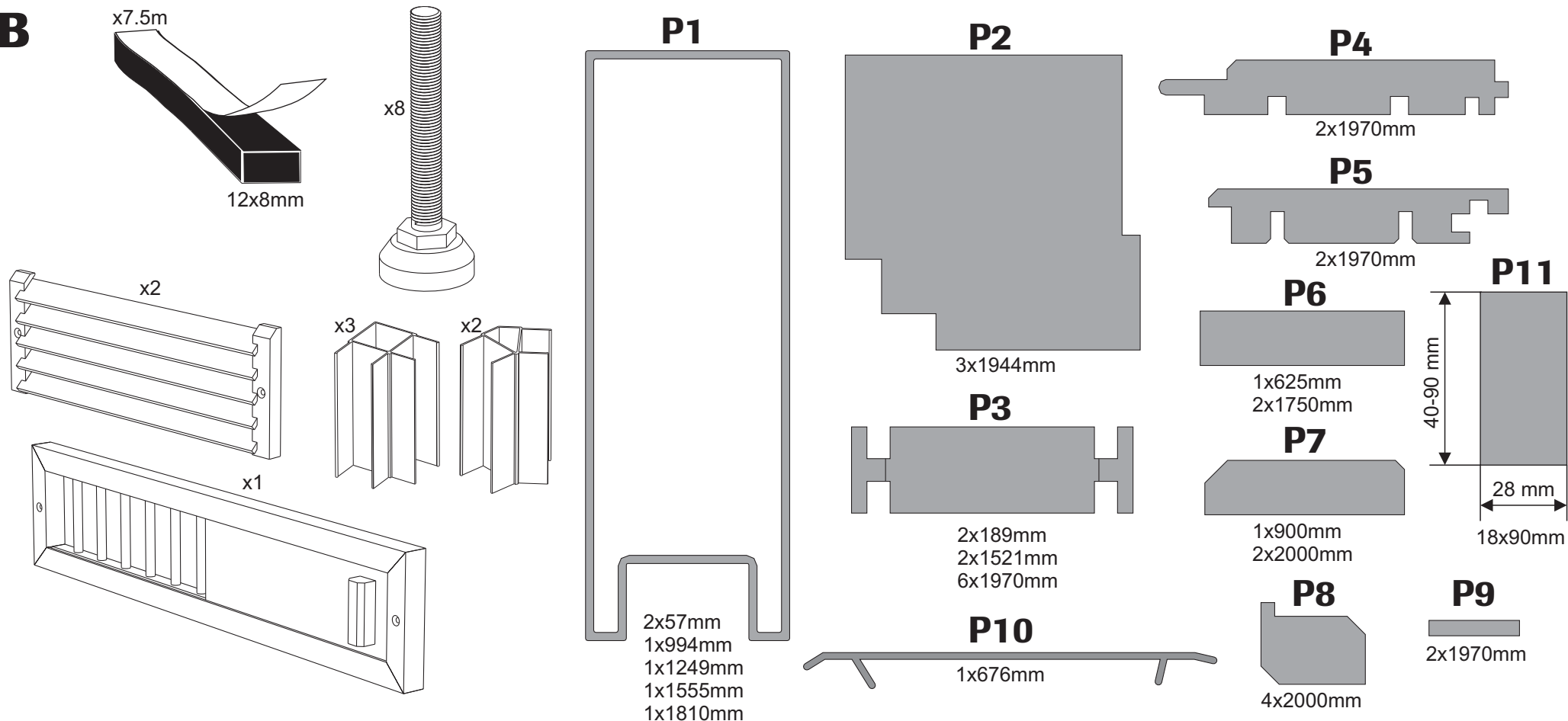
TYLÖ SAUNA E1917/c

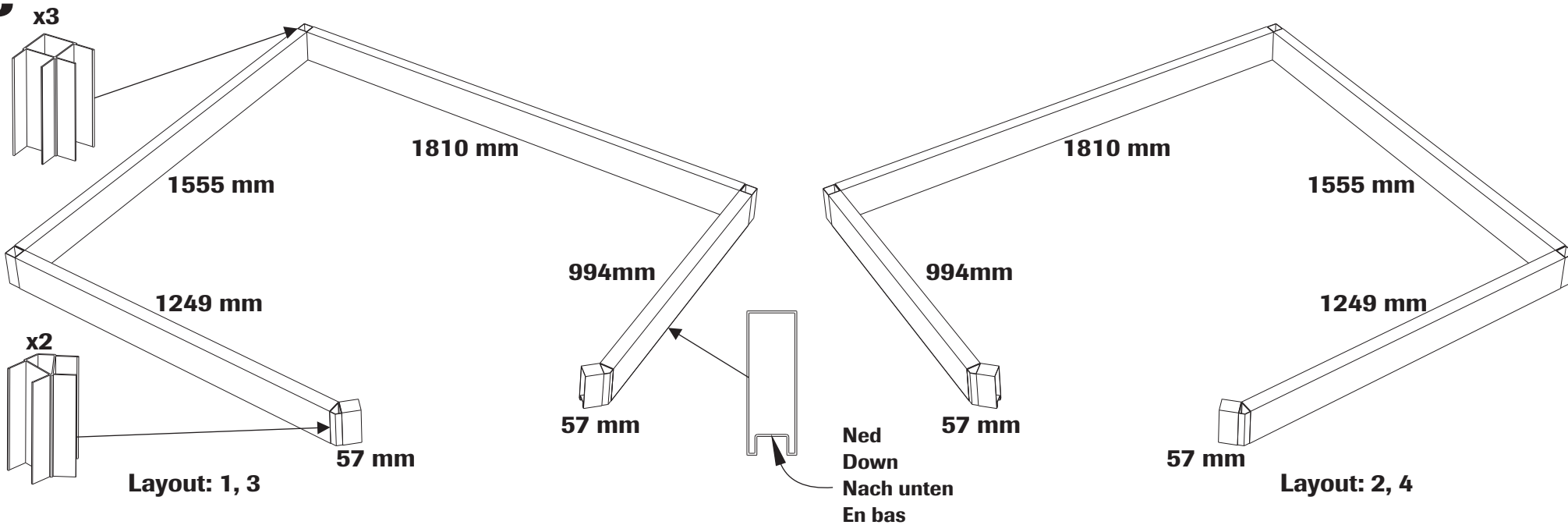
1111



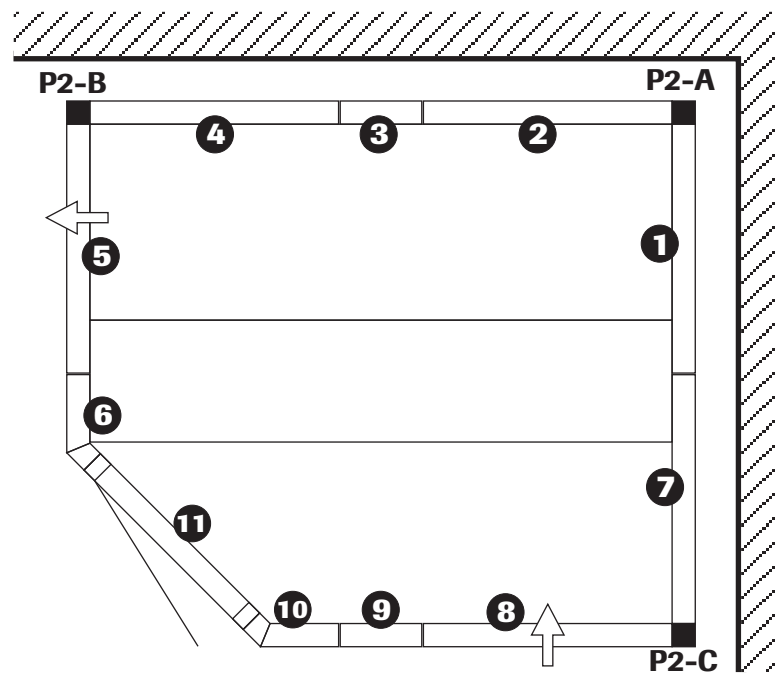
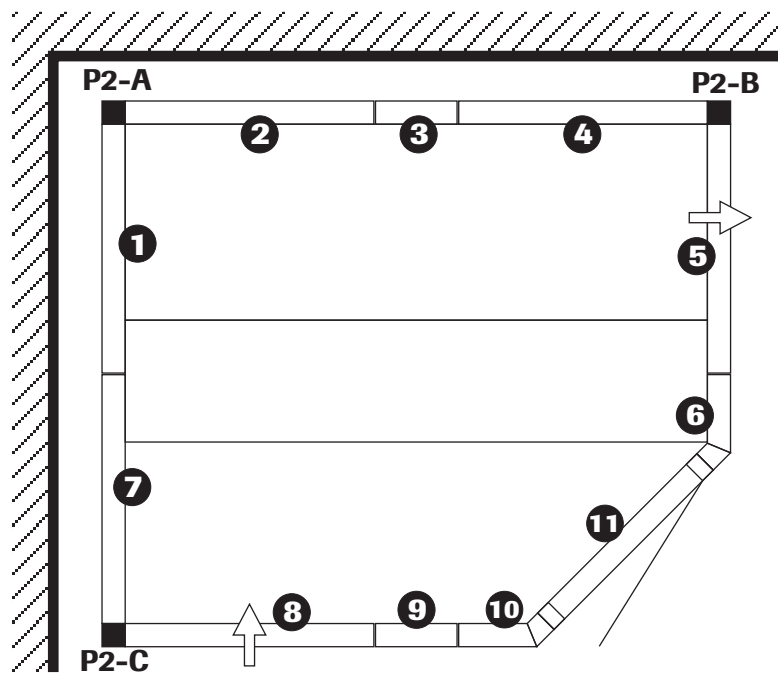
Art.nr 2900 4335

TYLÖ[®]
for the senses

A**B**

C**D**

Monteringsordning - väggar
Assembly order - walls



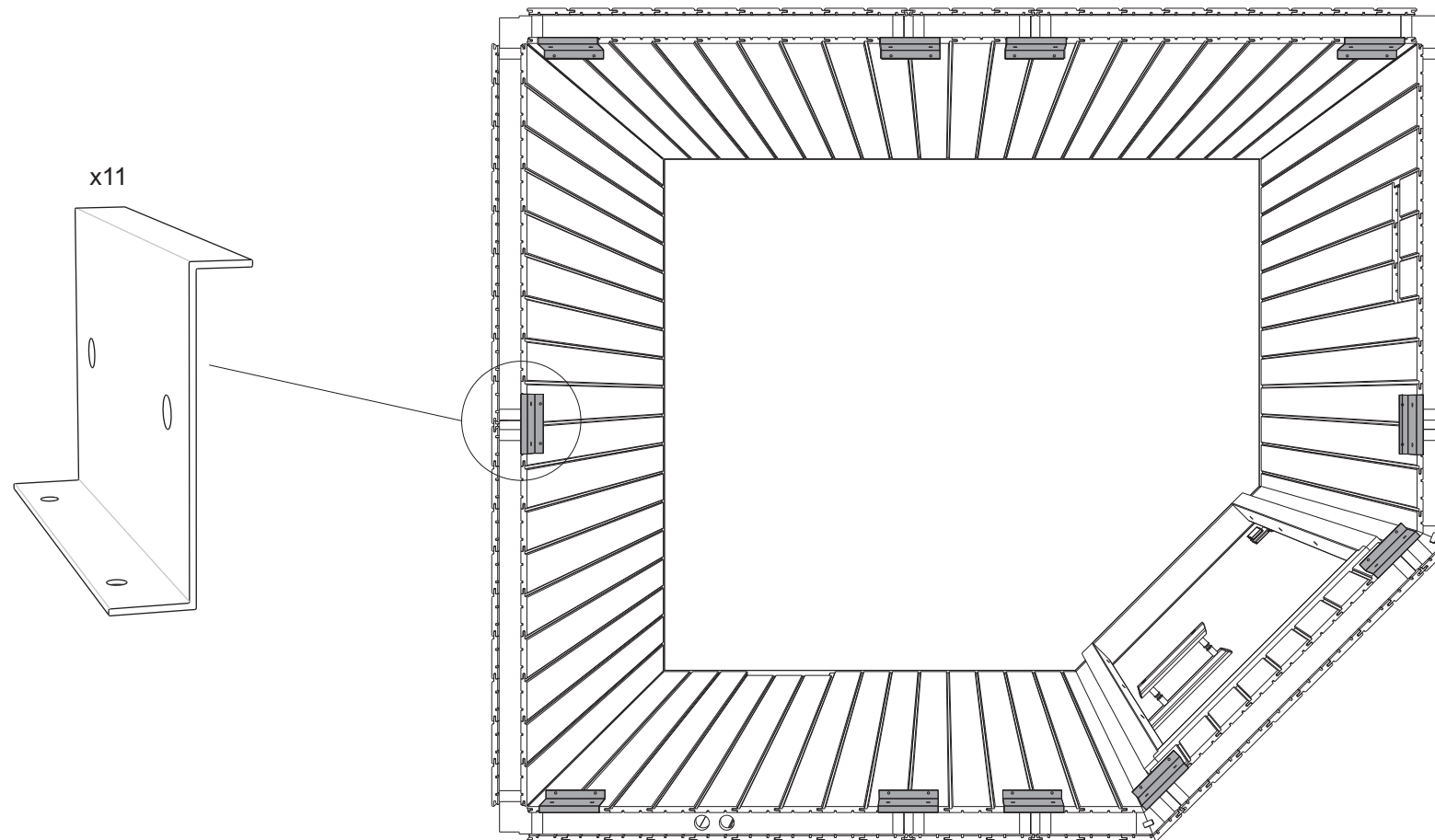
Väggyttermått
Wall outer dimensions

1 2 4	762 mm
5 7 8	
3 9	250 mm
6 10	75/239 mm
11 (Dörr/door)	690 mm

E

Placering av skarvprofil.
Montering - se monteringsanvisning av rummet.

Location of the joint profile
Assembly - see installation instructions of the room.

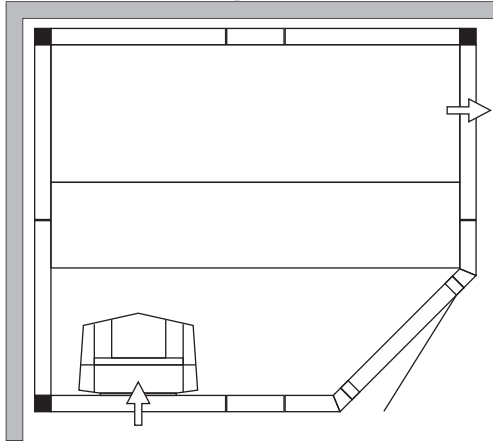


F Layouts 1917/c

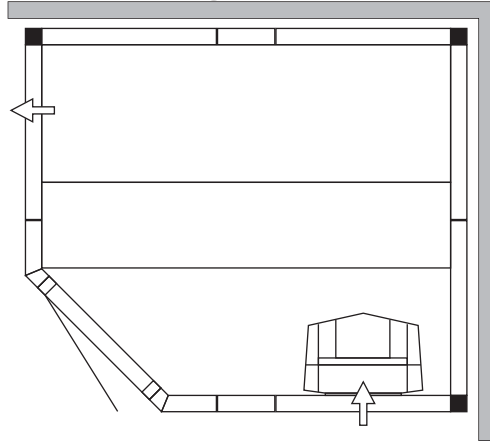
GV = Glass ventilation

Standard

Layout 1

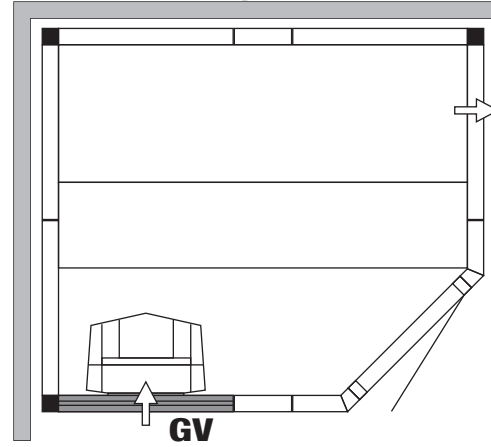


Layout 2

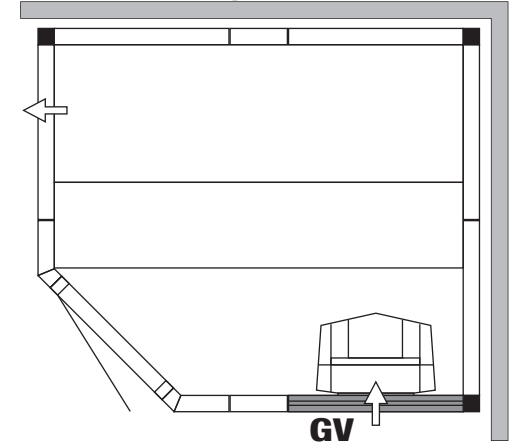


Standard with optional glass vent.

Layout 3

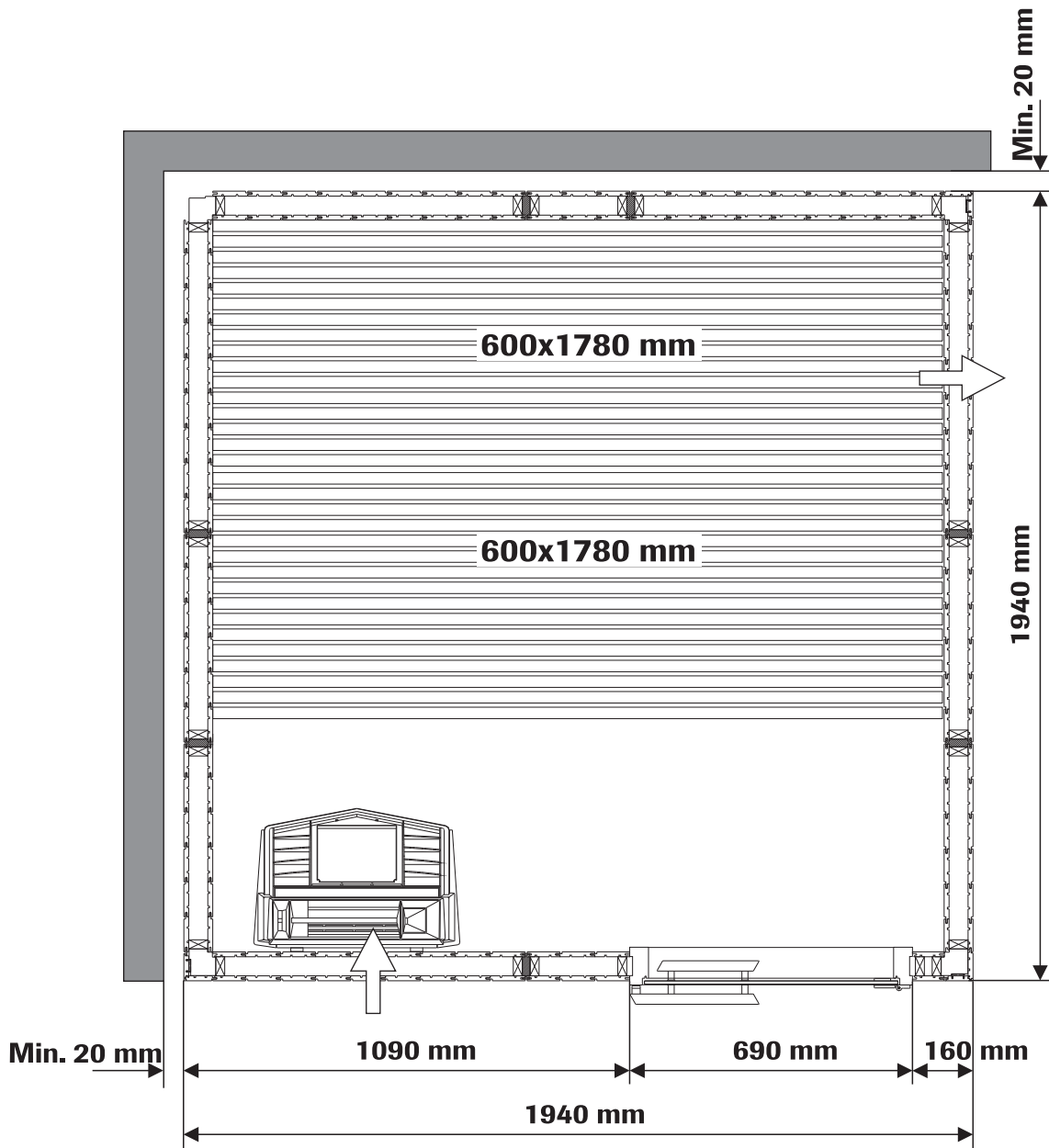


Layout 4



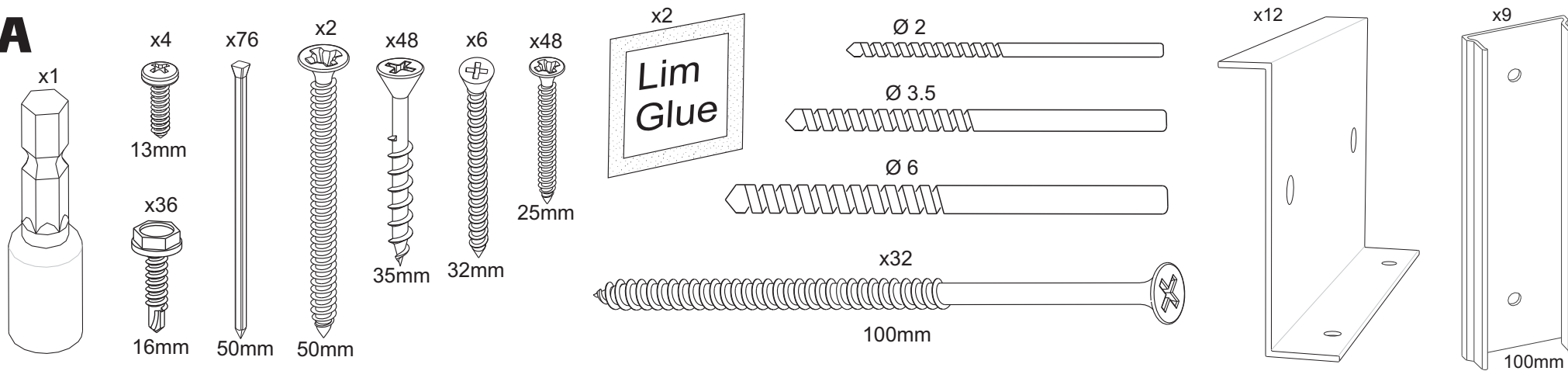
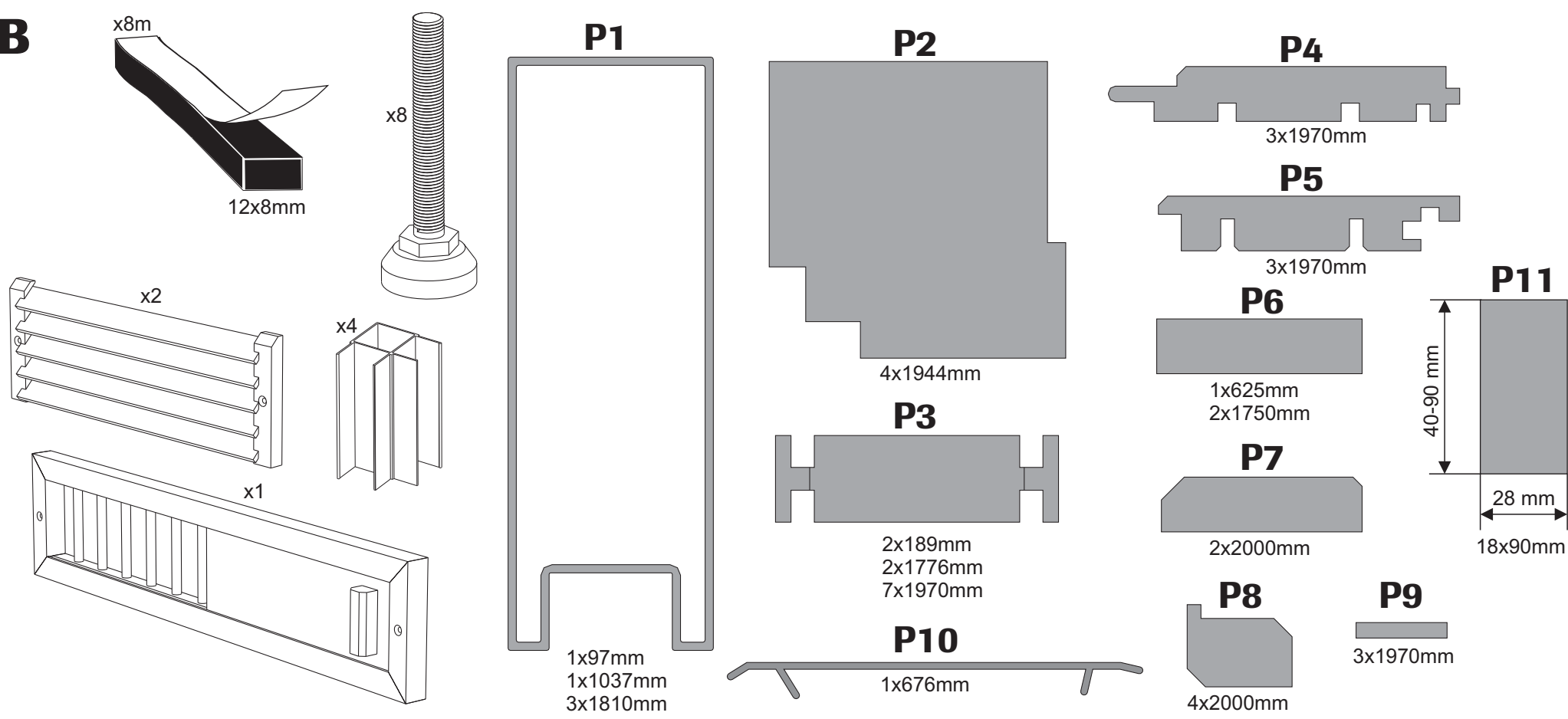
TYLÖ SAUNA E1919

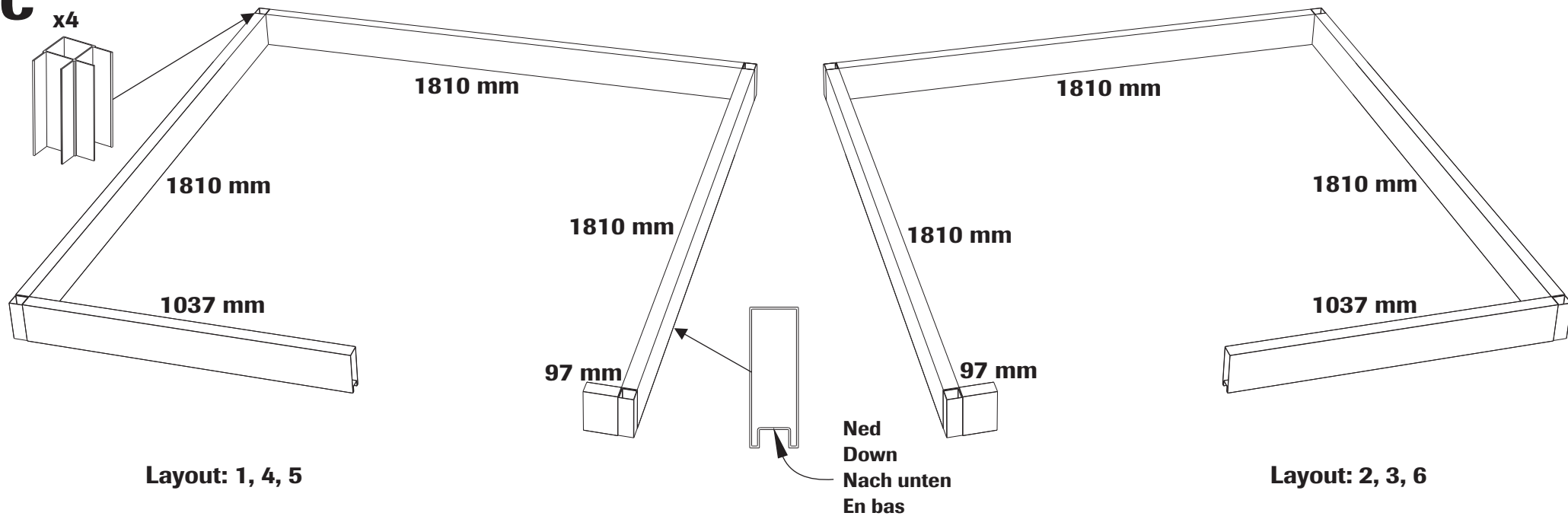
1111



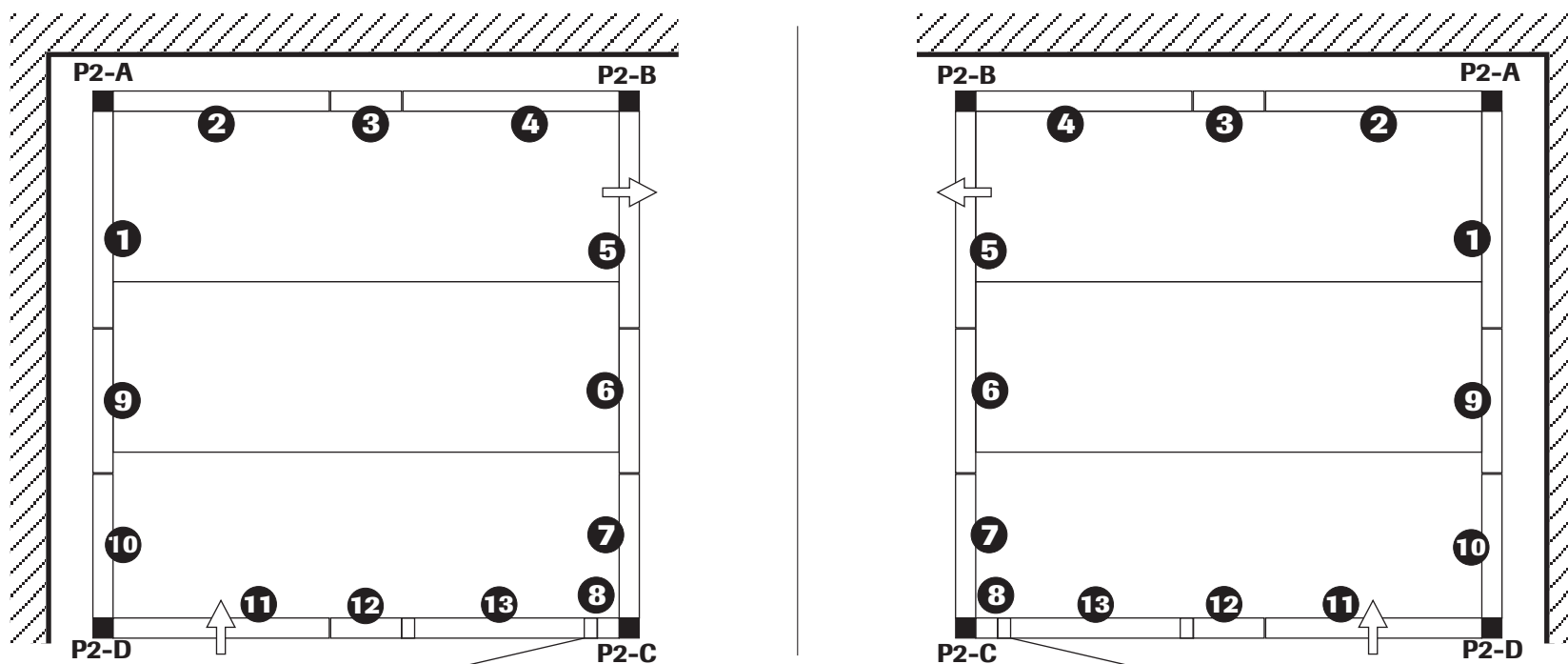
Art.nr 2900 4340

TYLÖ[®]
for the senses

A**B**

C**D**

Monteringsordning - väggar
Assembly order - walls



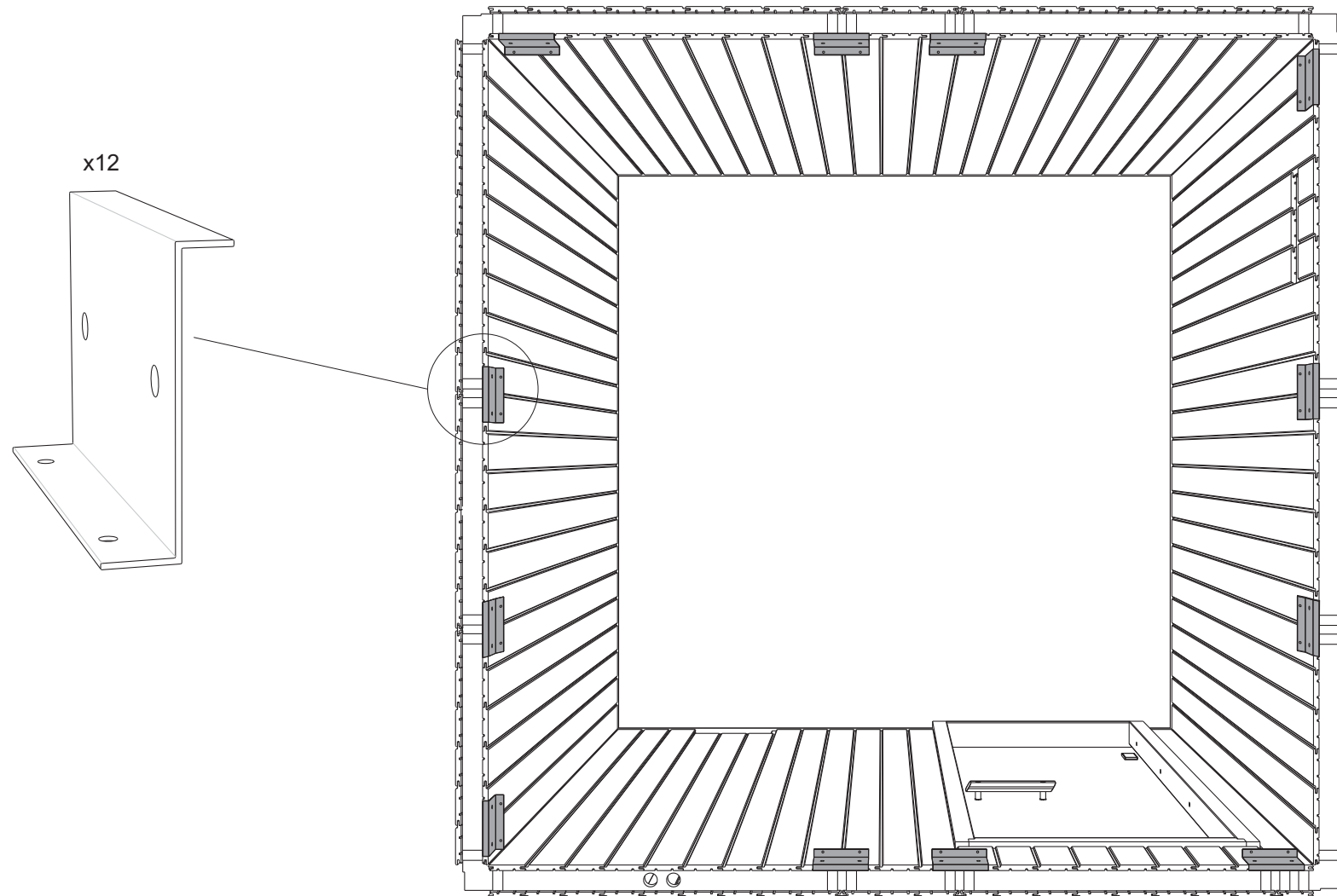
Väggyttermått
Wall outer dimensions

1 2 4	762 mm
5 11	
6 7 9	506 mm
10	
3 12	250 mm
8	77 mm
13 (Dörr/door)	690 mm

E

Placering av skarvprofil.
Montering - se monteringsanvisning av rummet.

Location of the joint profile
Assembly - see installation instructions of the room.

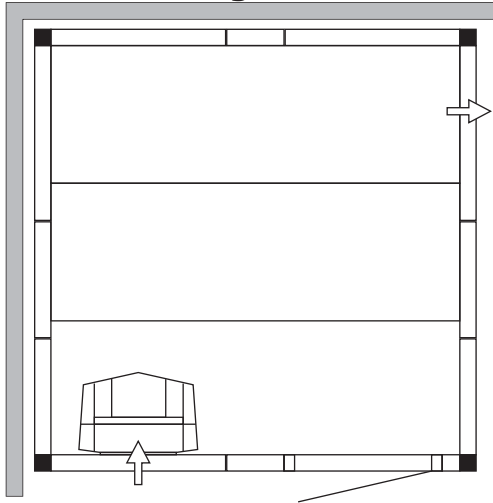


F Layouts 1919

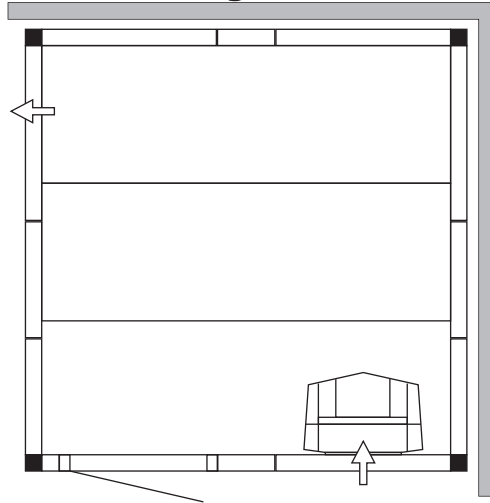
G = Glass
GV = Glass ventilation

Standard

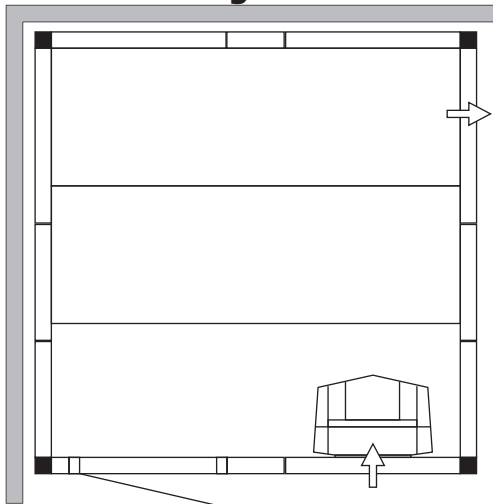
Layout 1



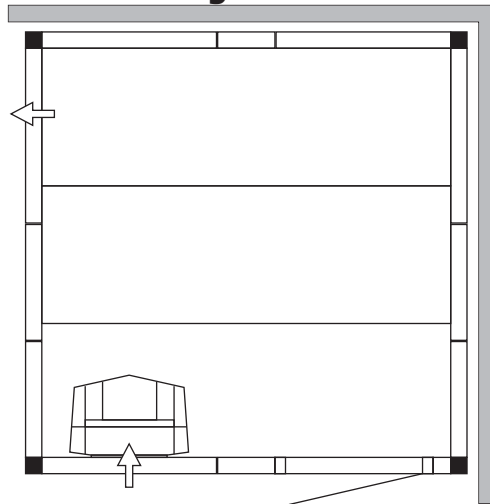
Layout 2



Layout 3

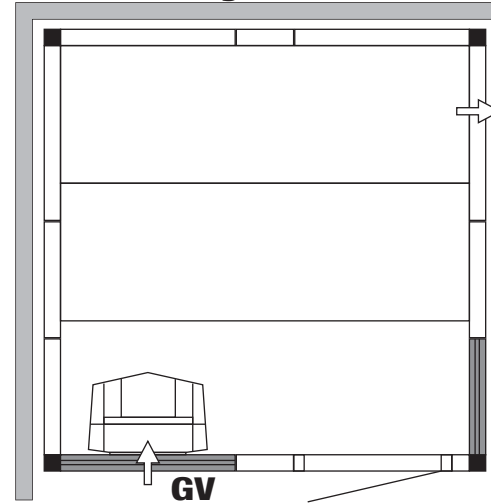


Layout 4

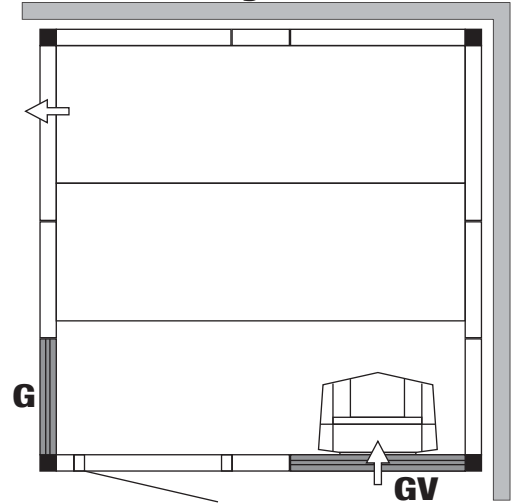


Standard with optional glass section + glass vent.

Layout 5

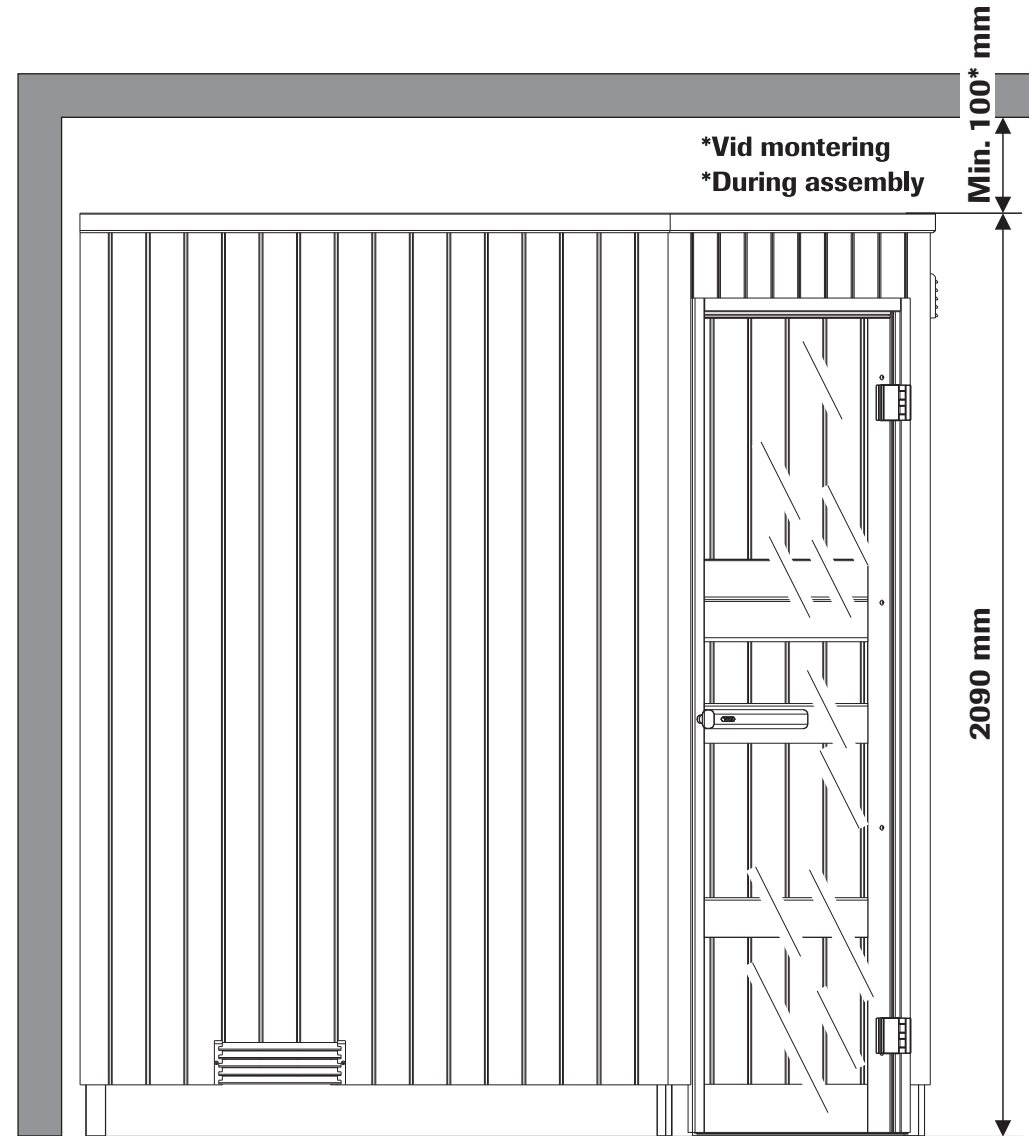
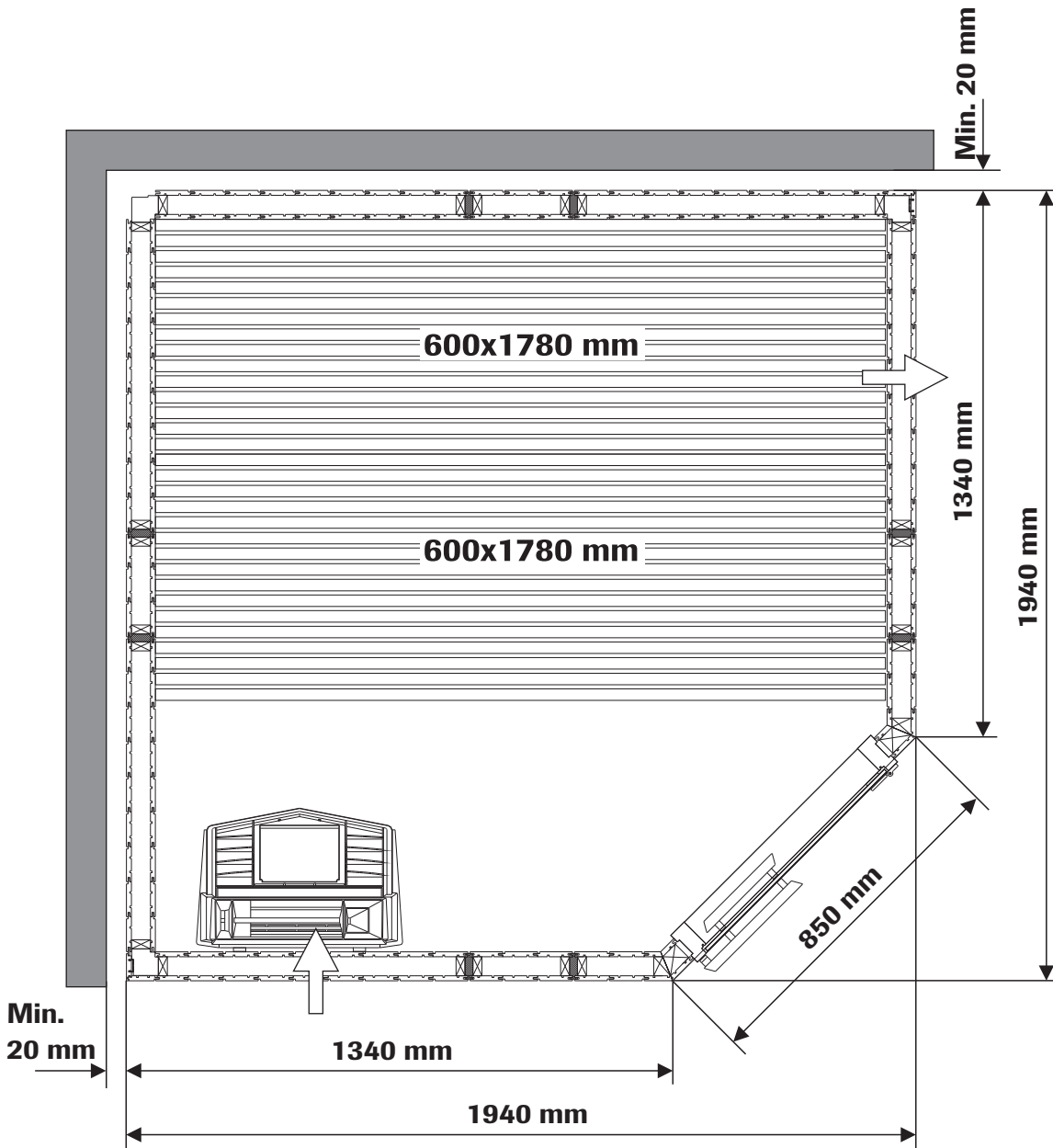


Layout 6



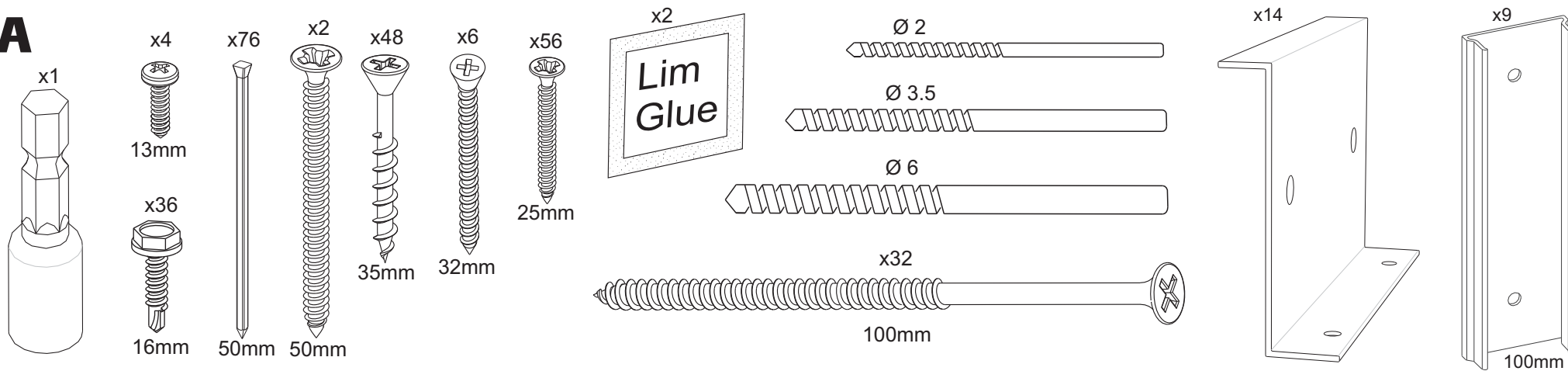
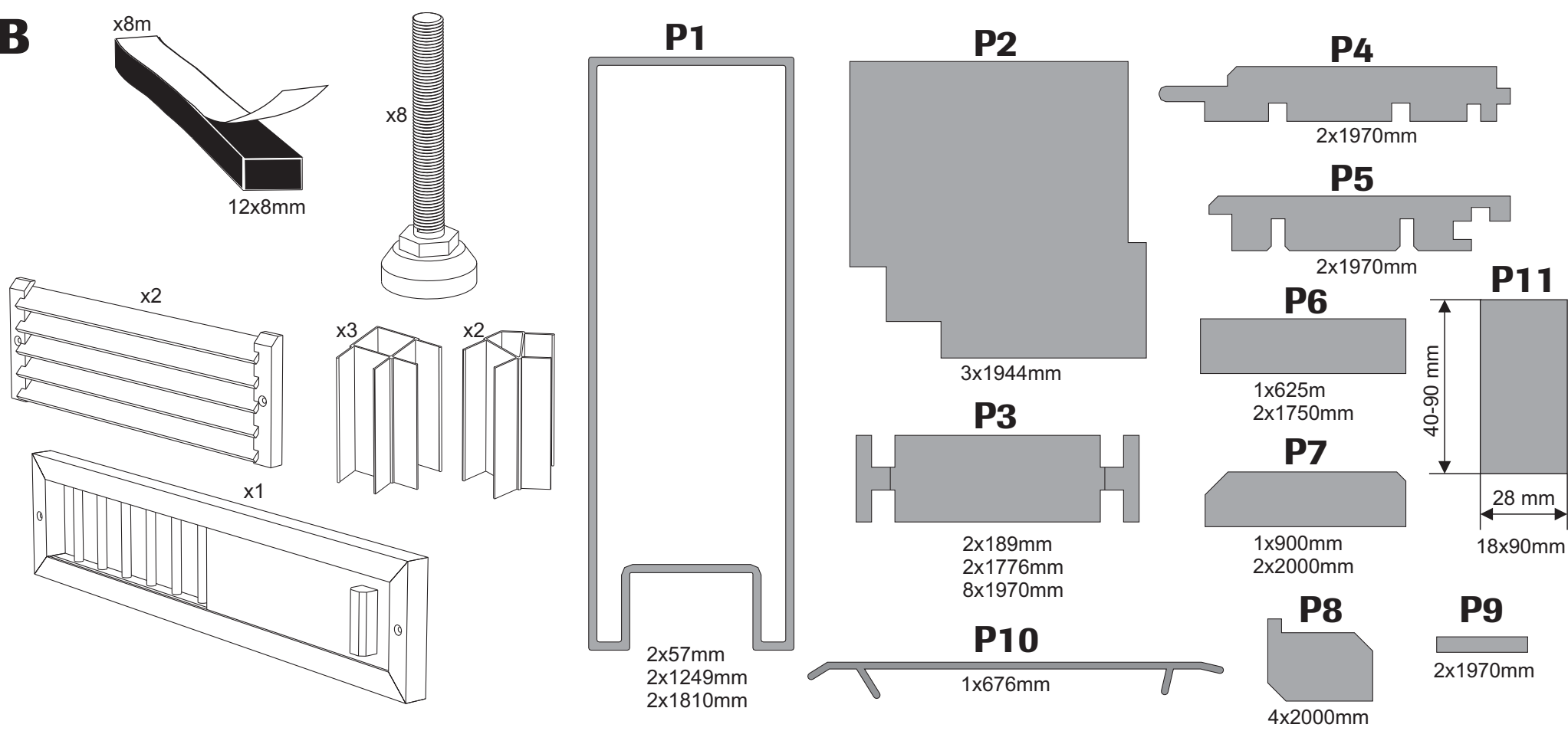
TYLÖ SAUNA E1919/c

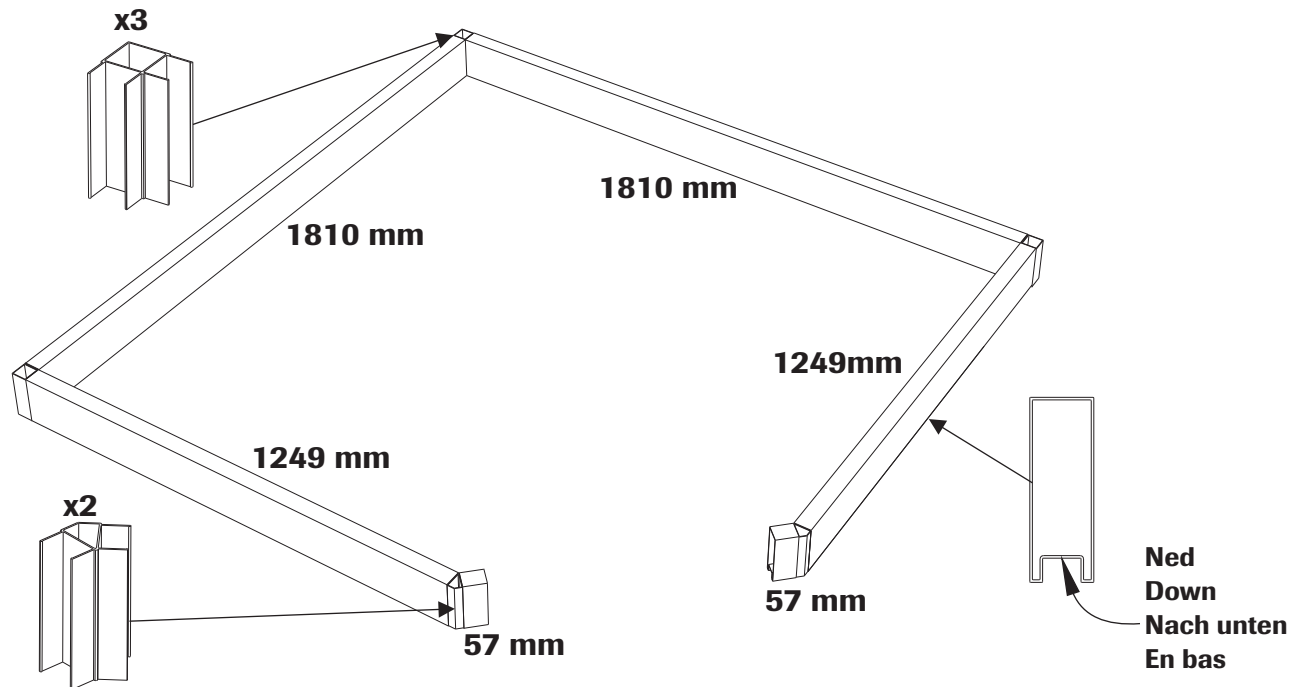
1111



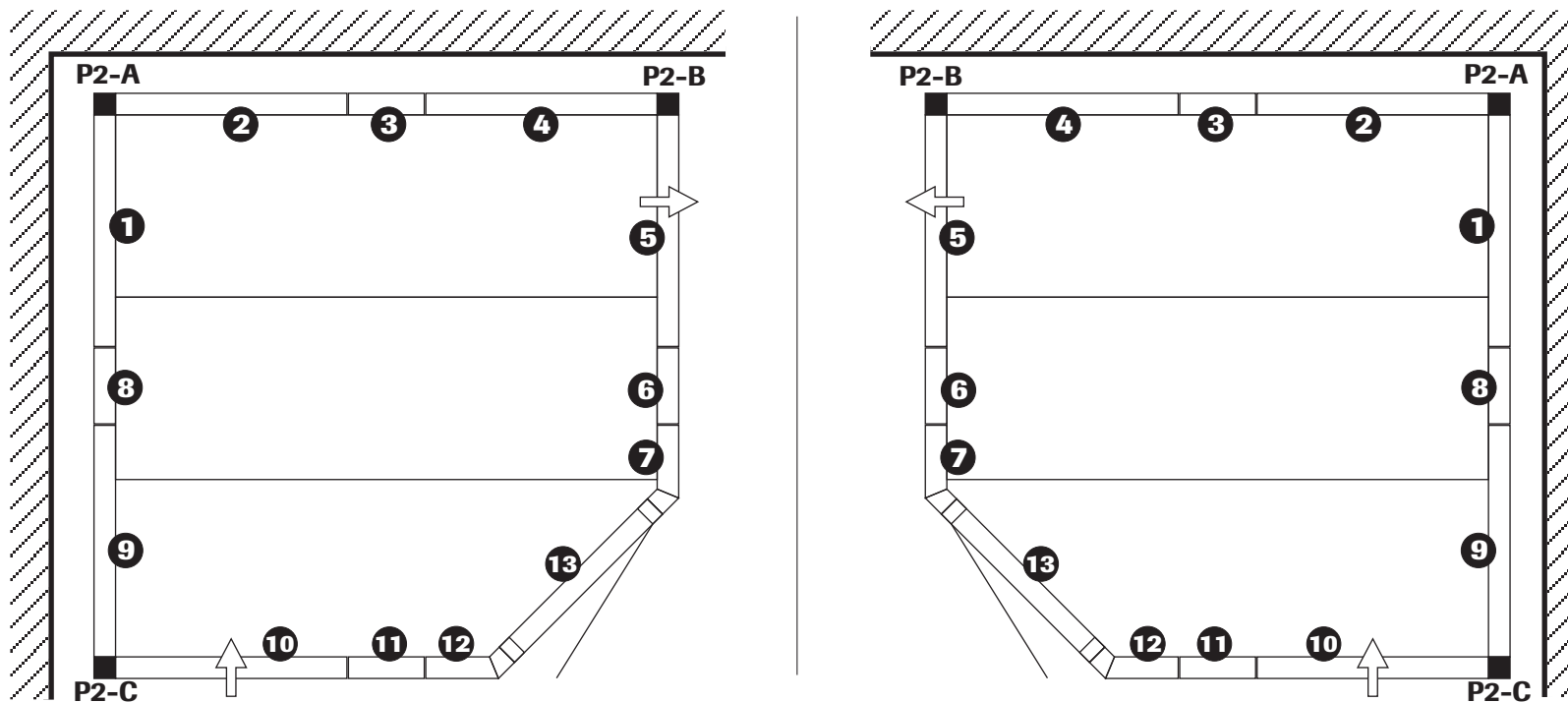
Art.nr 2900 4345

TYLÖ[®]
for the senses

A**B**

C**D**

Monteringsordning - väggar
Assembly order - walls



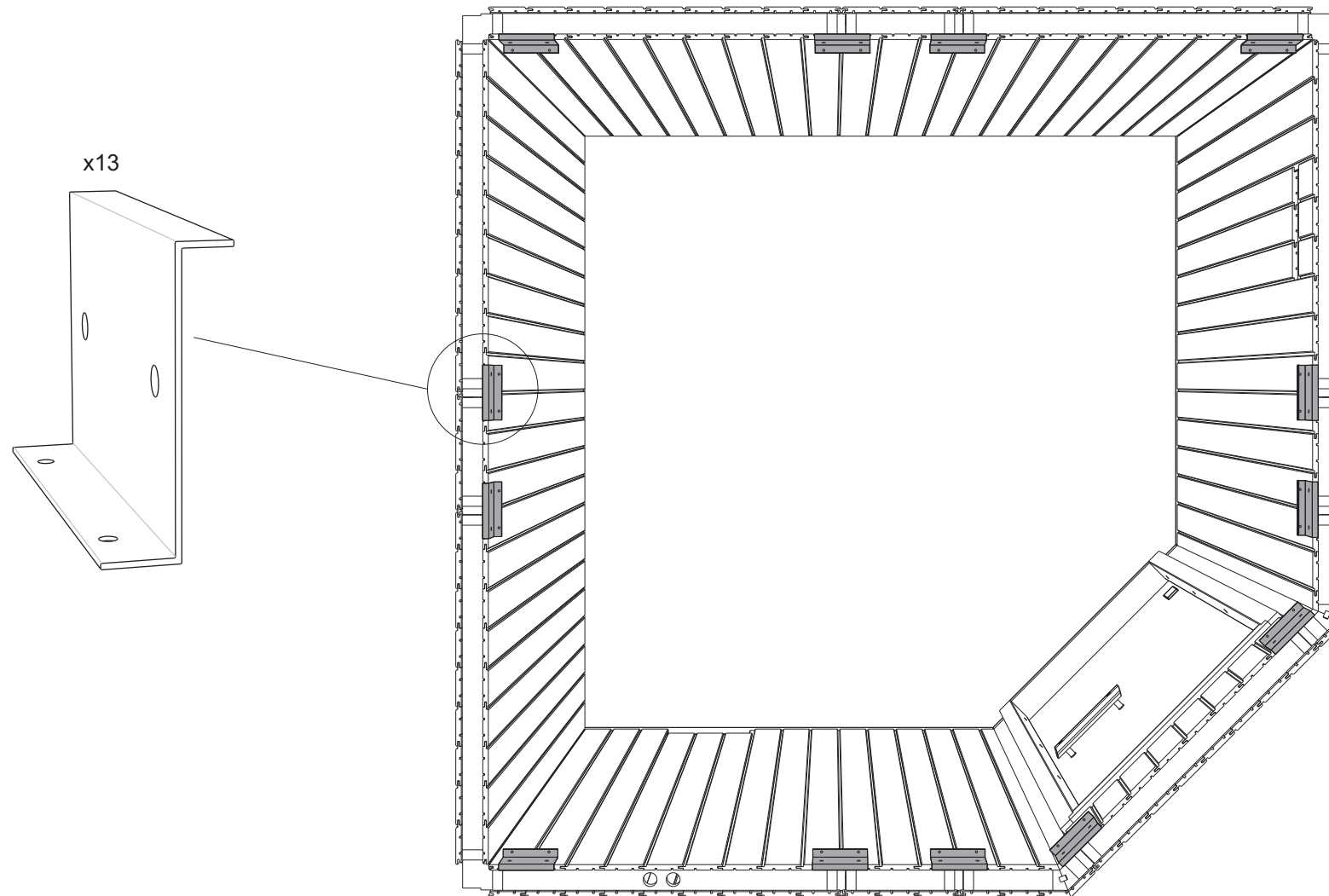
Väggyttermått
Wall outer dimensions

1 2 4	762 mm
5 9 10	
3 6 8	250 mm
11	
7 12	75/239 mm
13 (Dörr/door)	690 mm

E

Placering av skarvprofil.
Montering - se monteringsanvisning av rummet.

Location of the joint profile
Assembly - see installation instructions of the room.

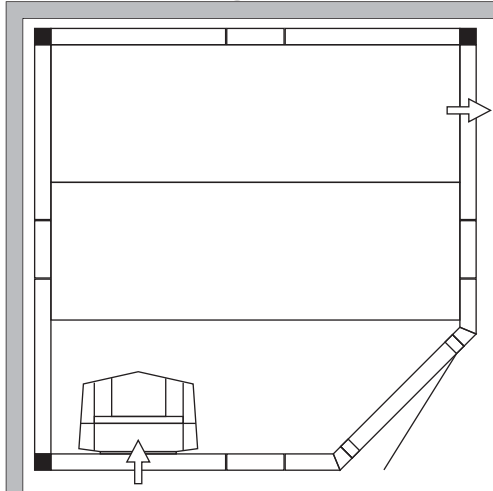


F Layouts 1919/c

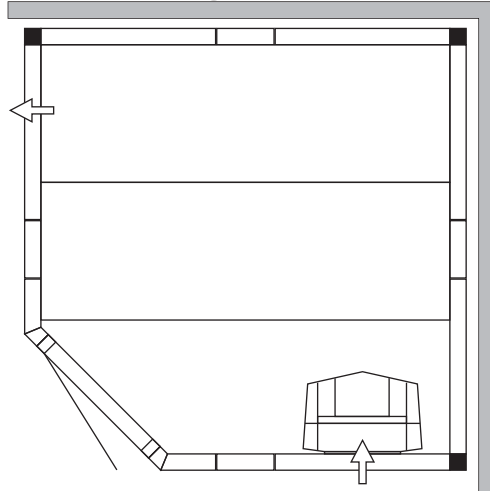
GV = Glass ventilation

Standard

Layout 1

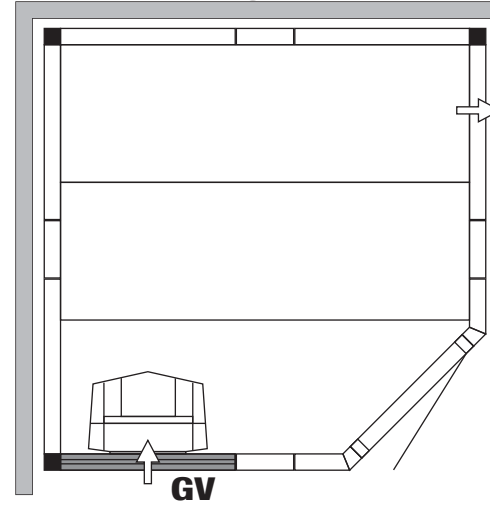


Layout 2

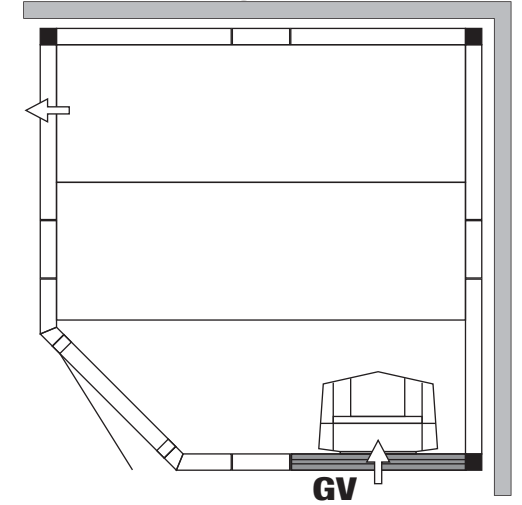


Standard with optional glass vent.

Layout 3

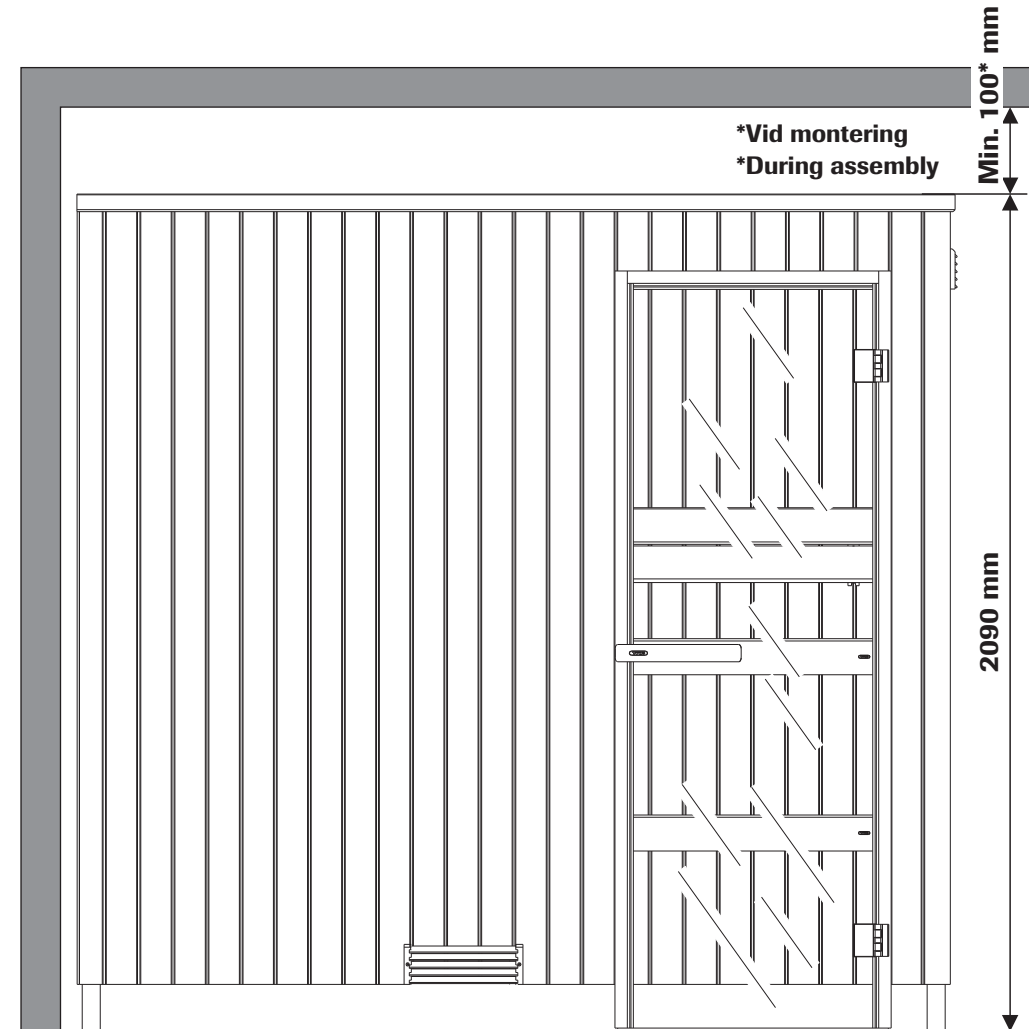
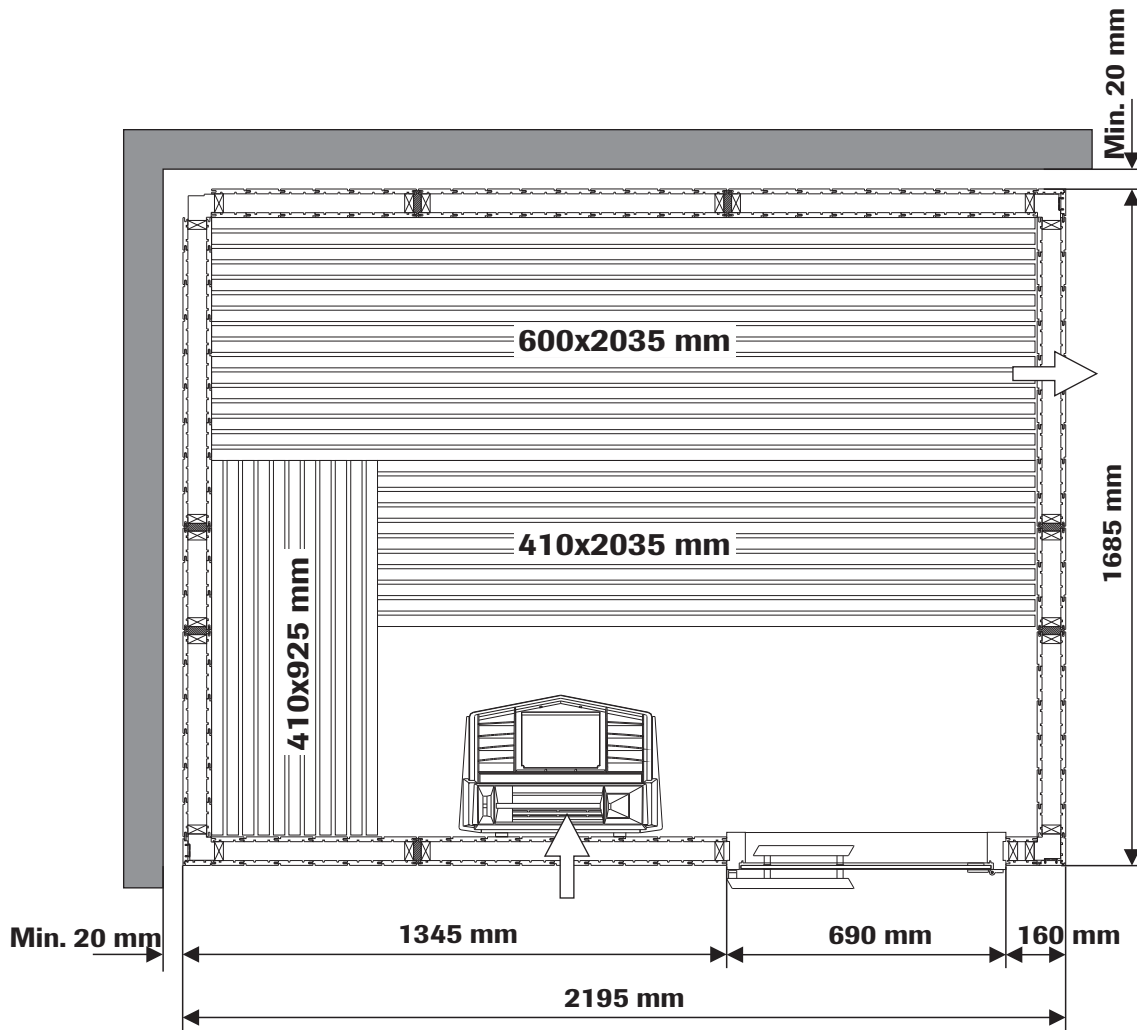


Layout 4



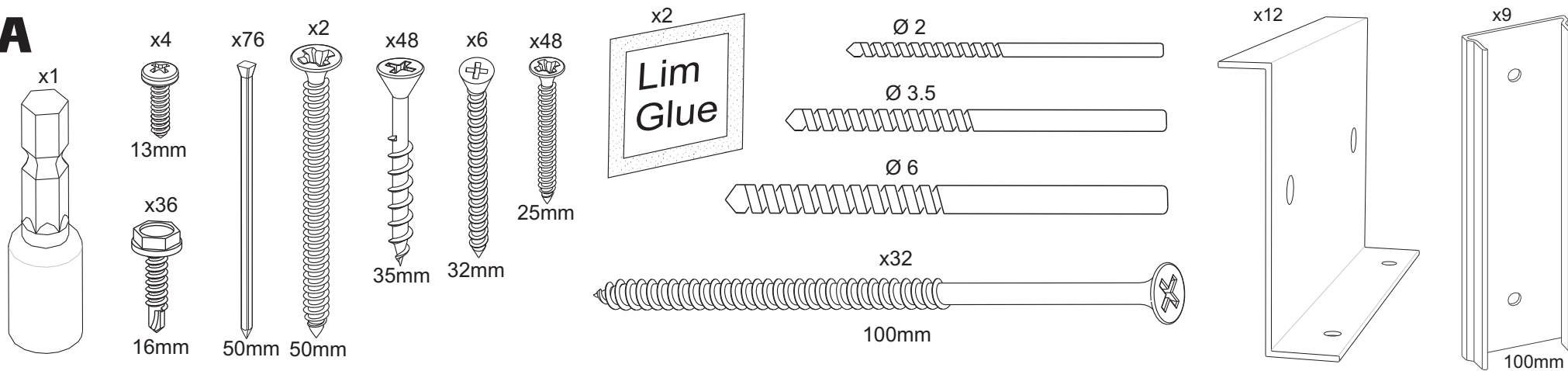
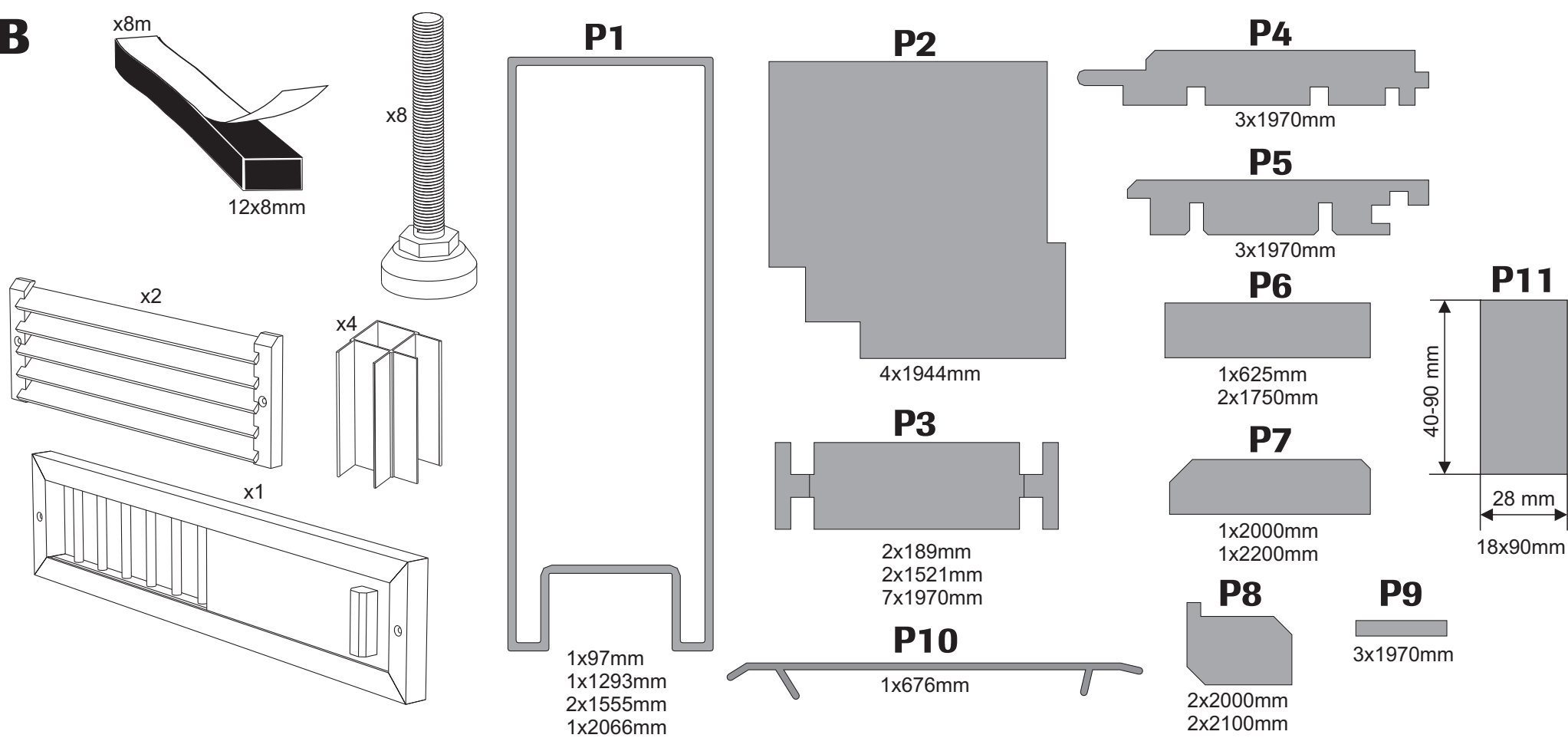
TYLÖ SAUNA E2217

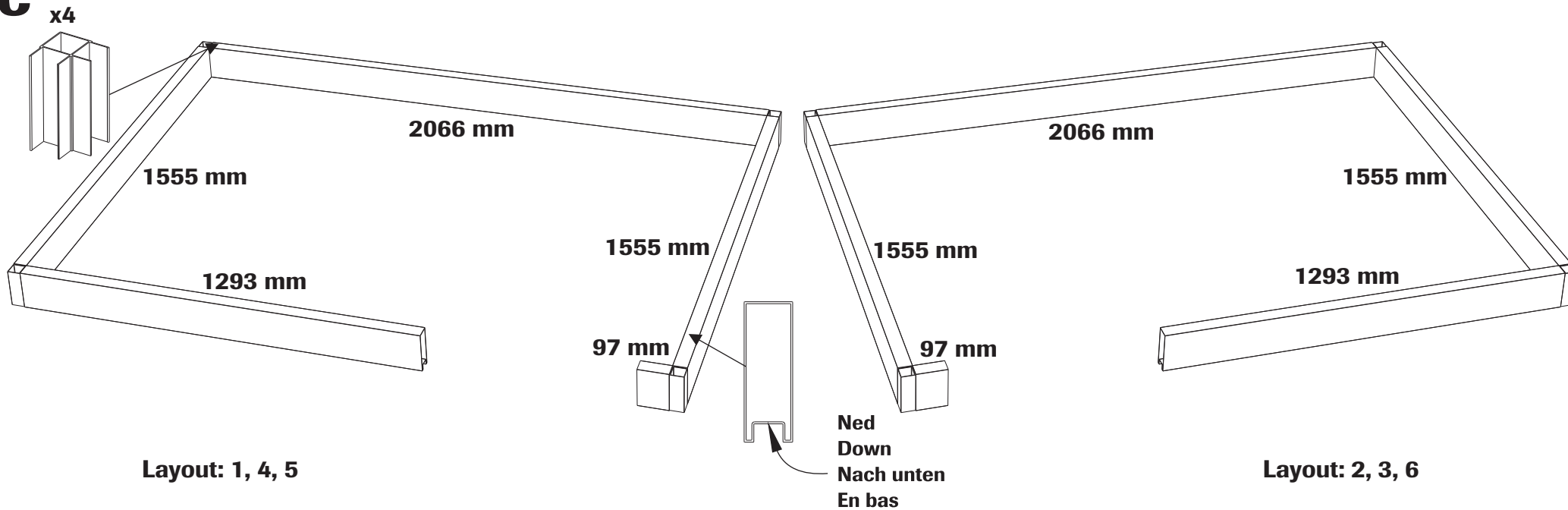
1111



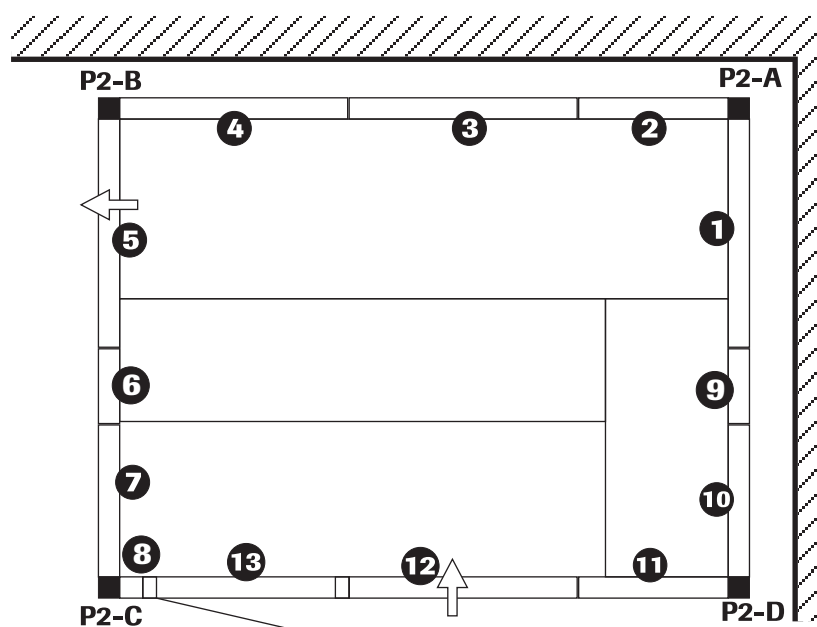
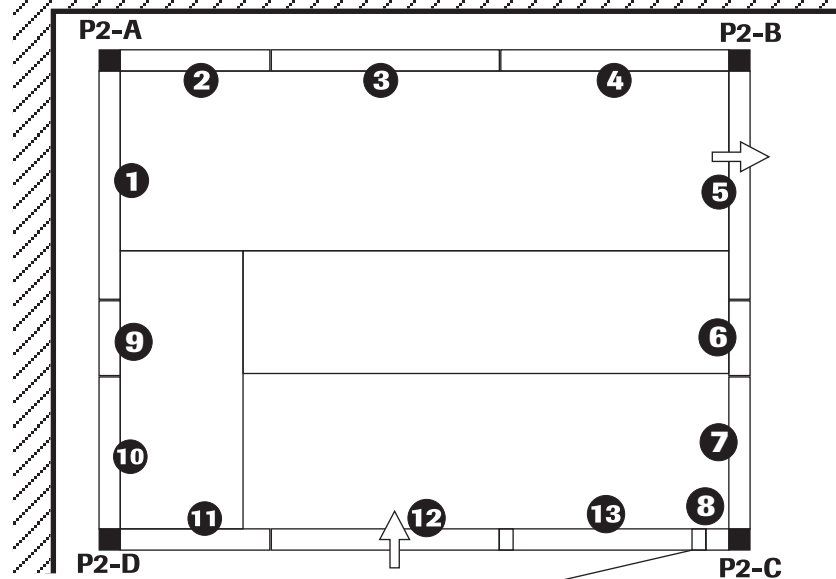
Art.nr 2900 4350

TYLÖ[®]
for the senses

A**B**

C**D**

Monteringsordning - väggar
Assembly order - walls



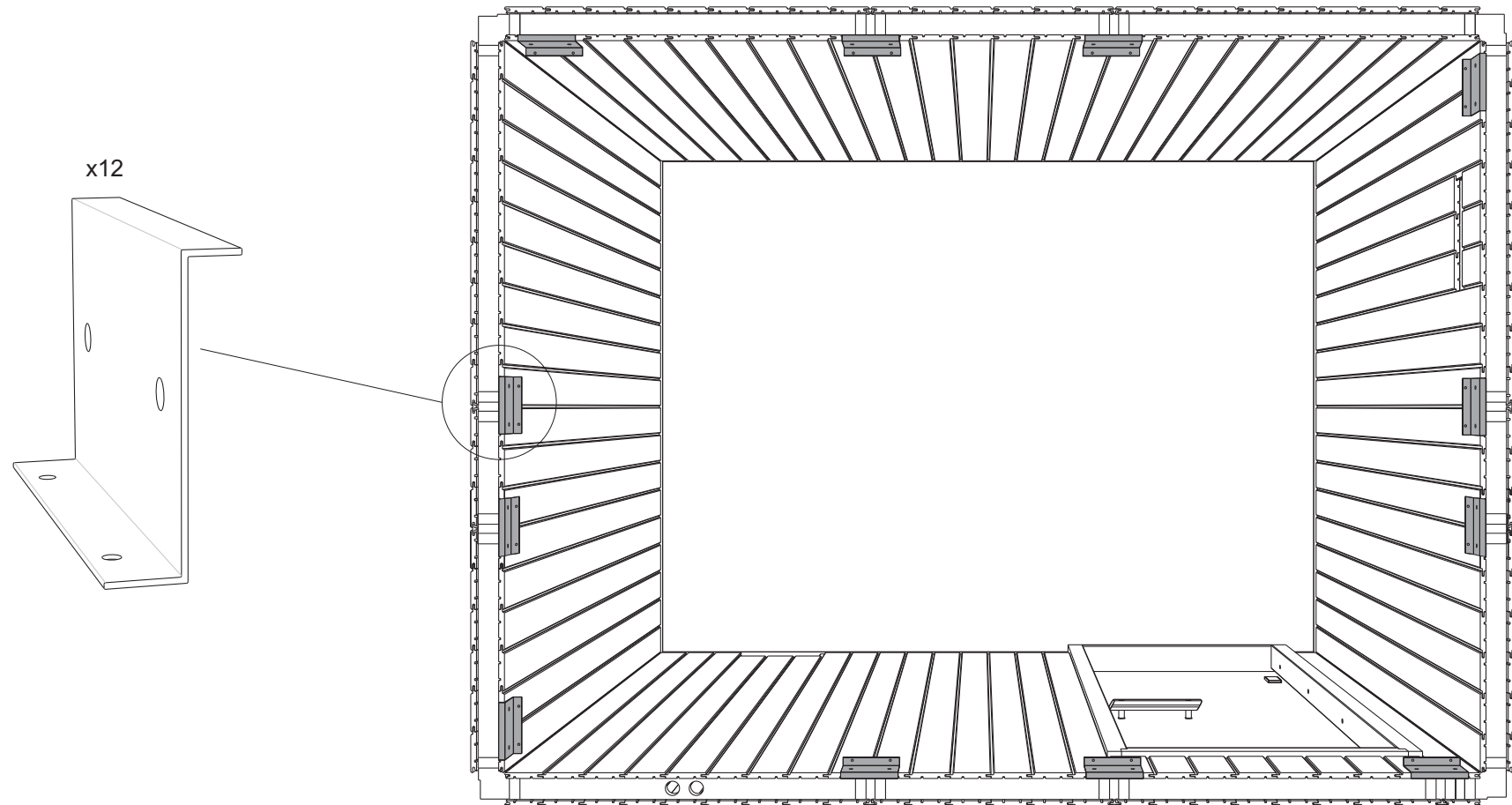
Väggyttermått
Wall outer dimensions

1 3 4 5 12	762 mm
2 7 10 11	506 mm
6 9	250 mm
8	77 mm
13 (Dörr/door)	690 mm

E

Placering av skarvprofil.
Montering - se monteringsanvisning av rummet.

Location of the joint profile
Assembly - see installation instructions of the room.

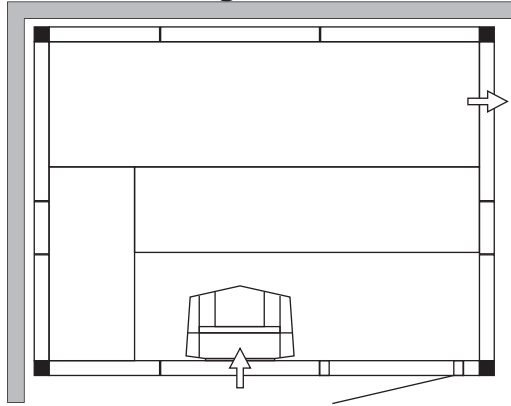


F Layouts 2217

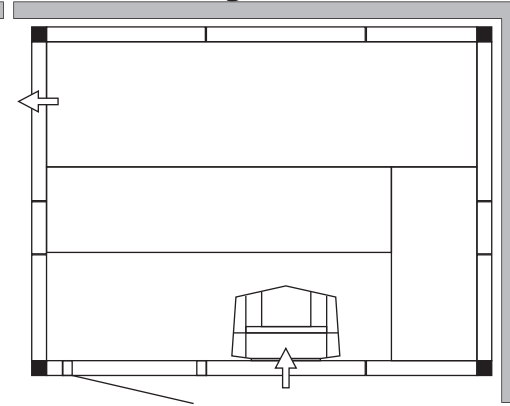
G = Glass
GV = Glass ventilation

Standard

Layout 1

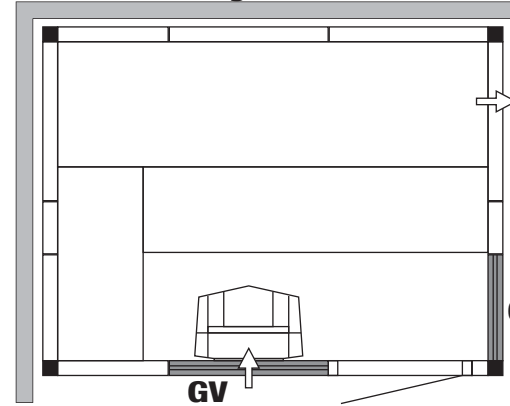


Layout 2

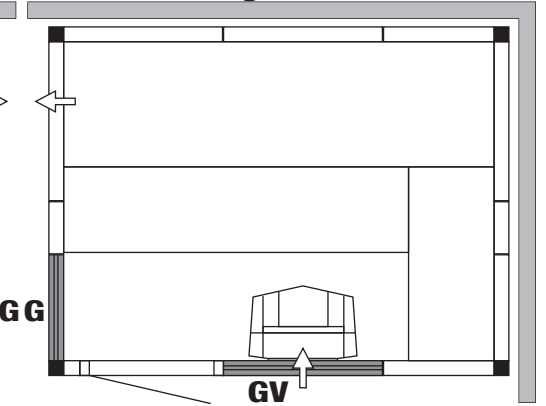


Standard with optional glass section + glass vent.

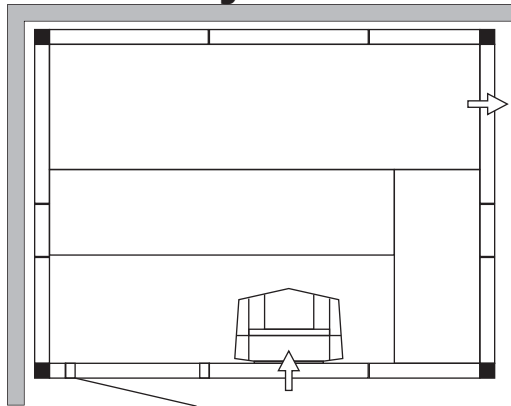
Layout 5



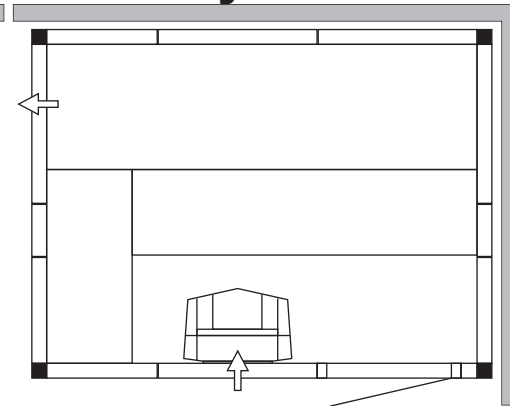
Layout 6



Layout 3

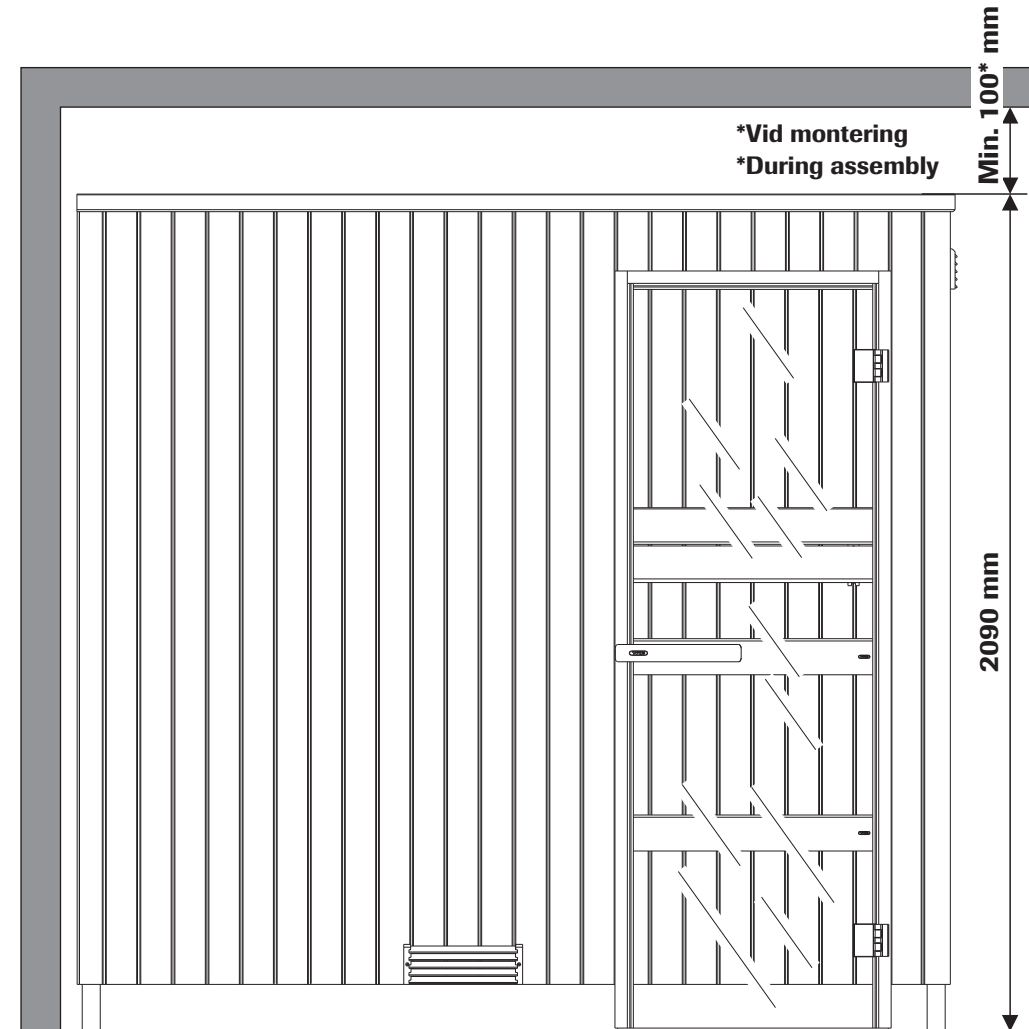
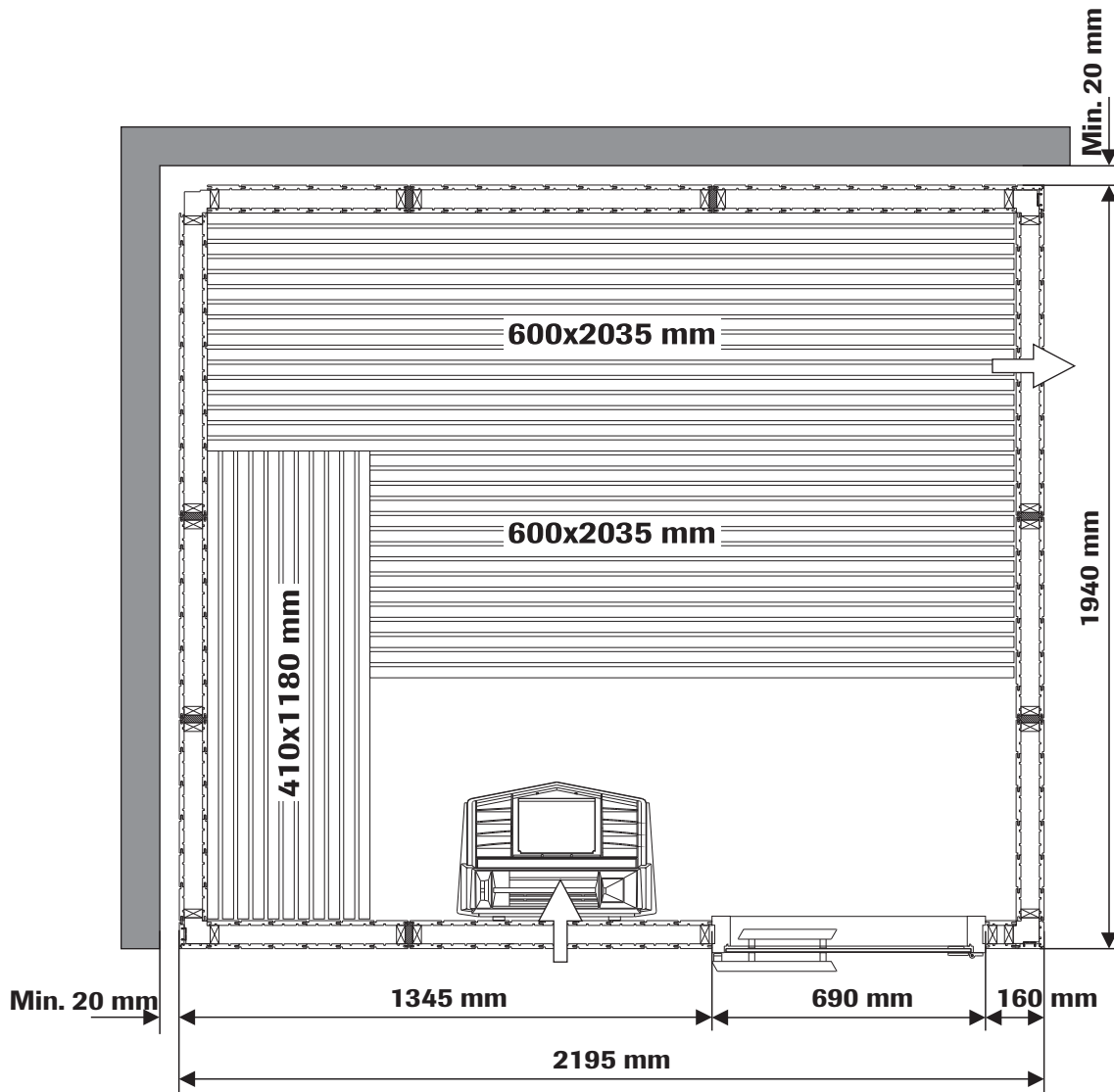


Layout 4



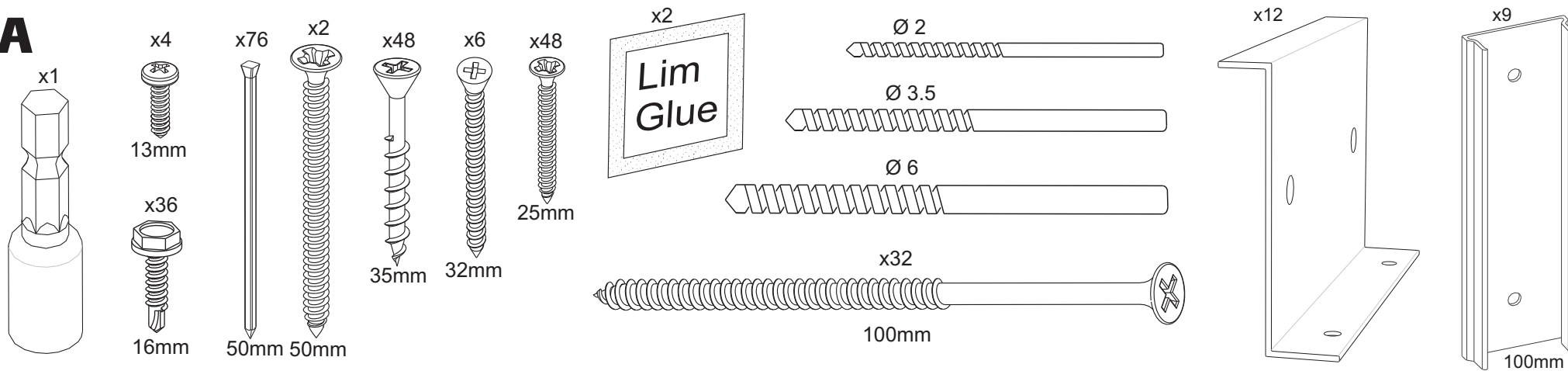
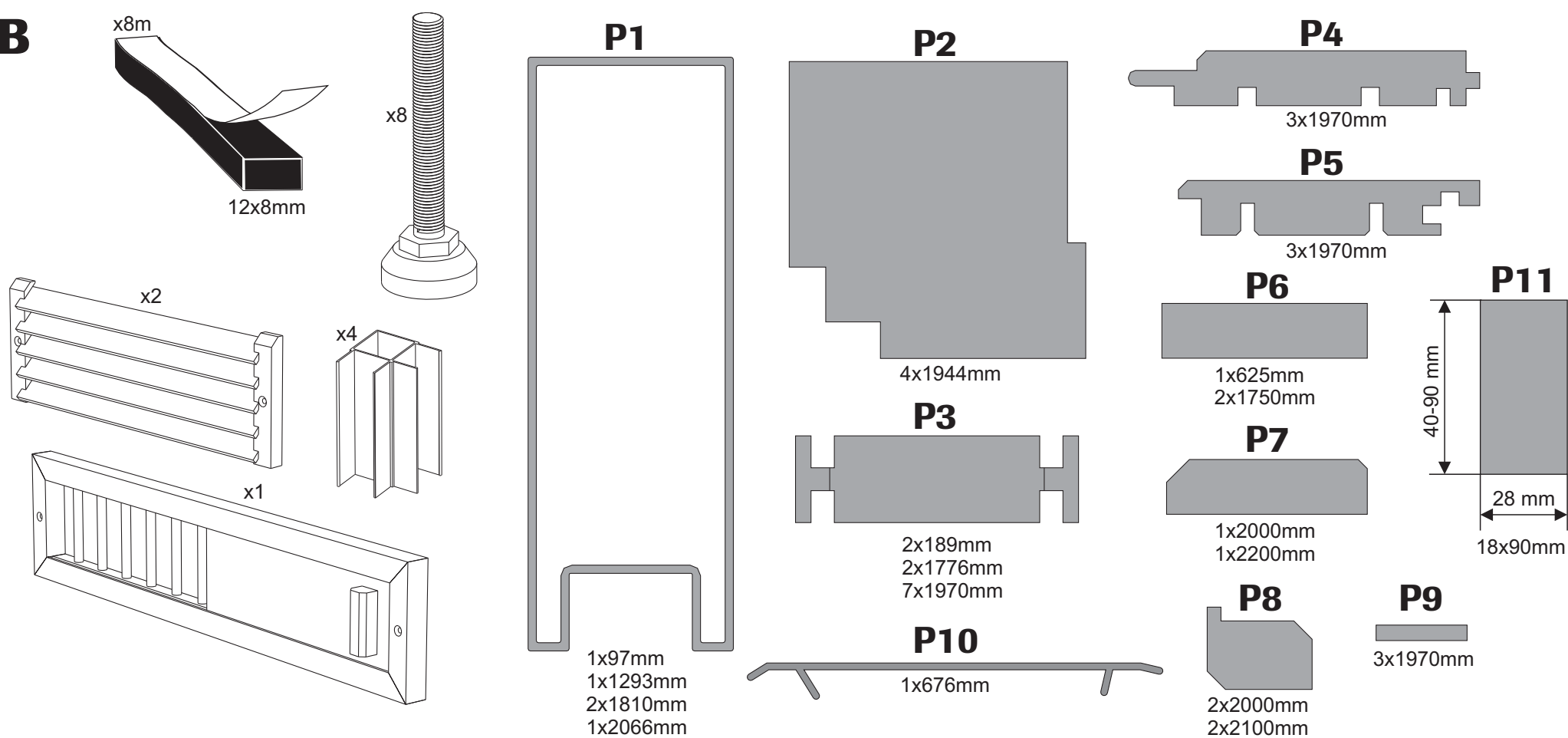
TYLÖ SAUNA E2219

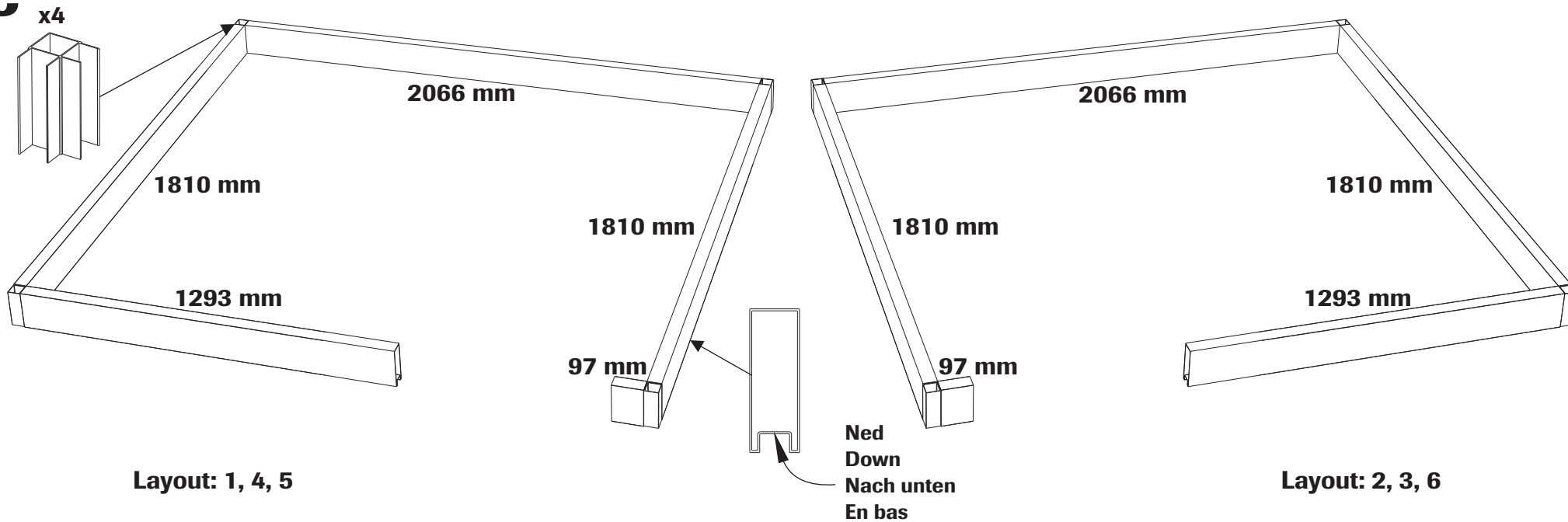
1111



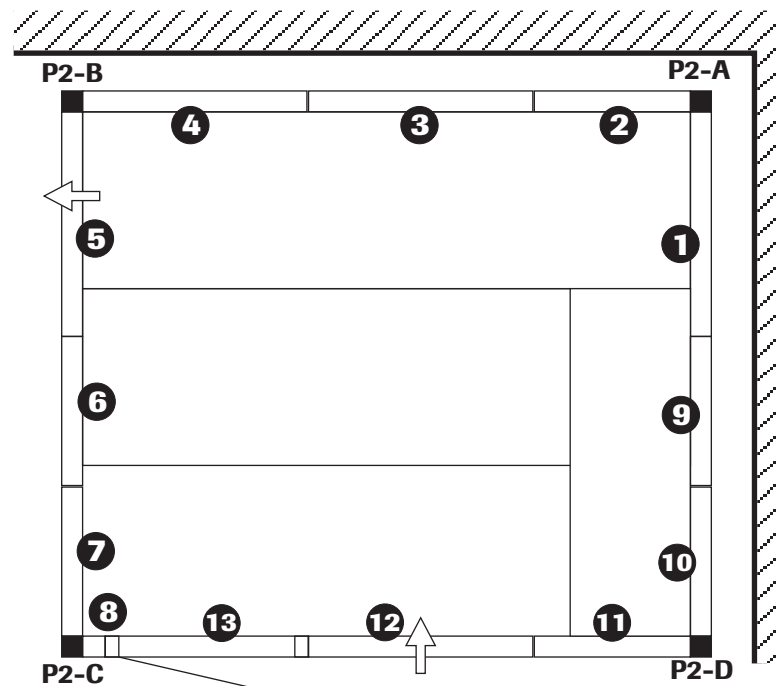
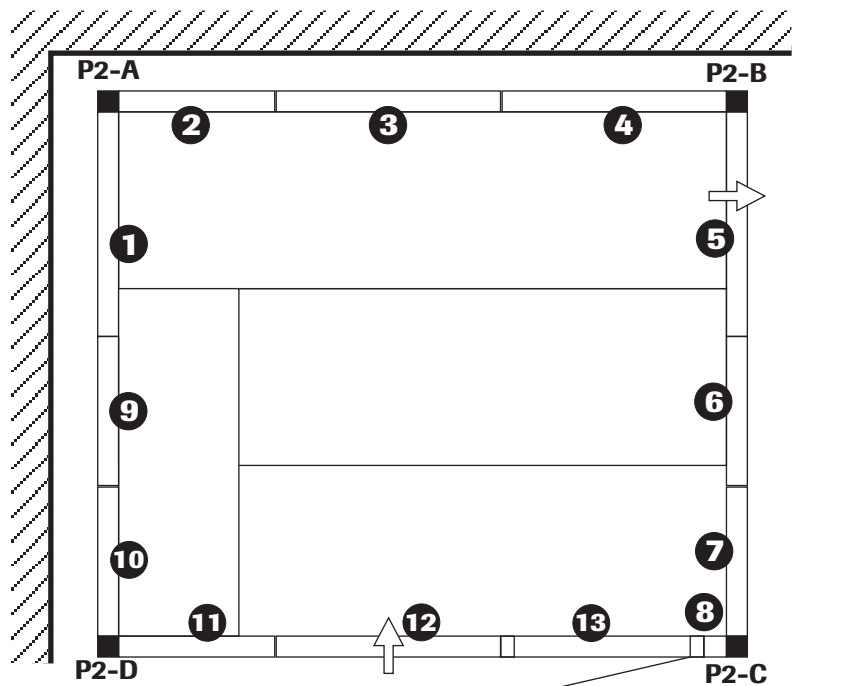
Art.nr 2900 4355

TYLÖ[®]
for the senses

A**B**

C**D**

Monteringsordning - väggar
Assembly order - walls



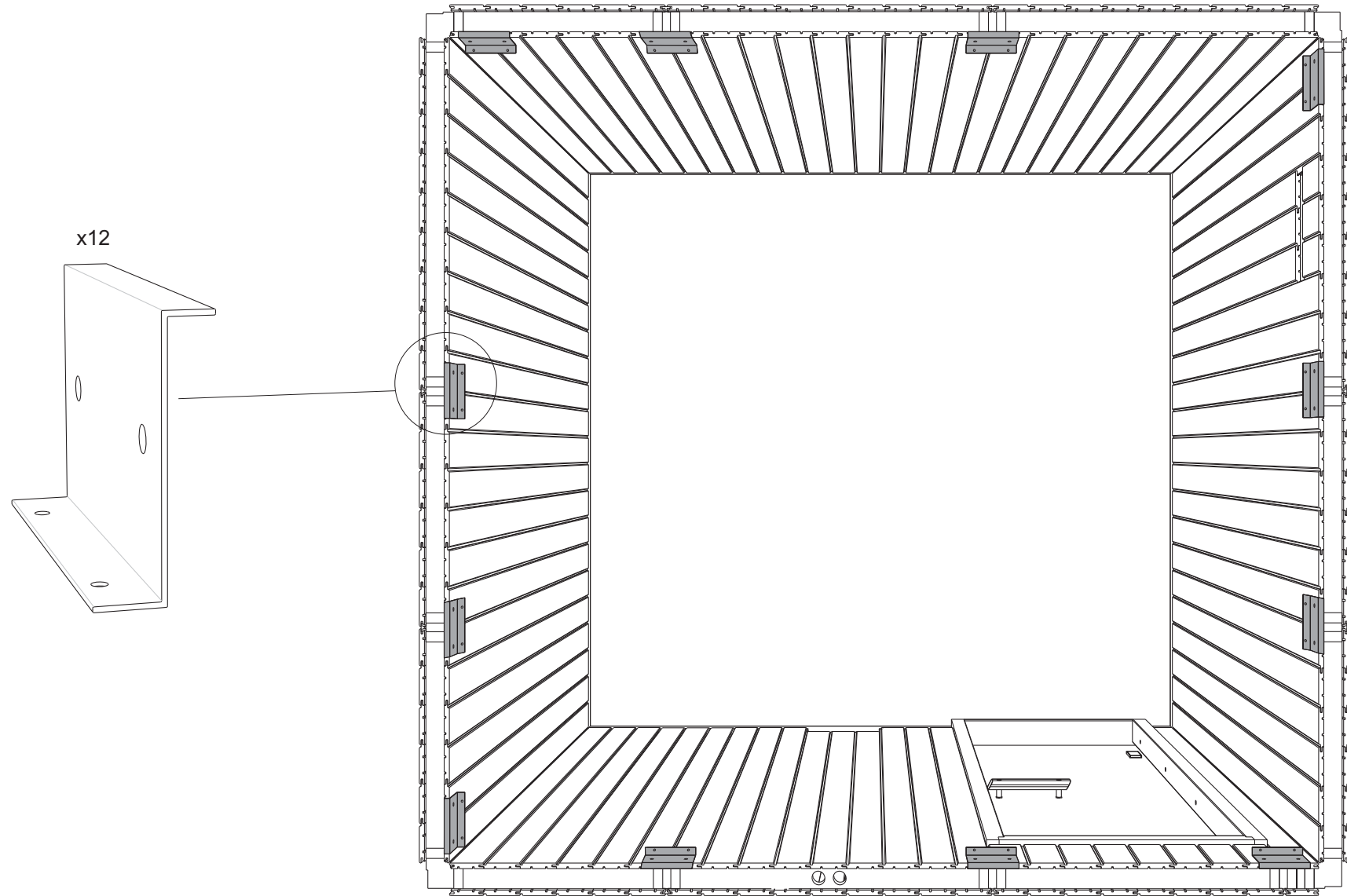
Väggytermått
Wall outer dimensions

1 3 4	762 mm
5 12	
2 6 7	506 mm
9 10 11	
8	
13 (Dörr/door)	690 mm

E

Placering av skarvprofil.
Montering - se monteringsanvisning av rummet.

Location of the joint profile
Assembly - see installation instructions of the room.

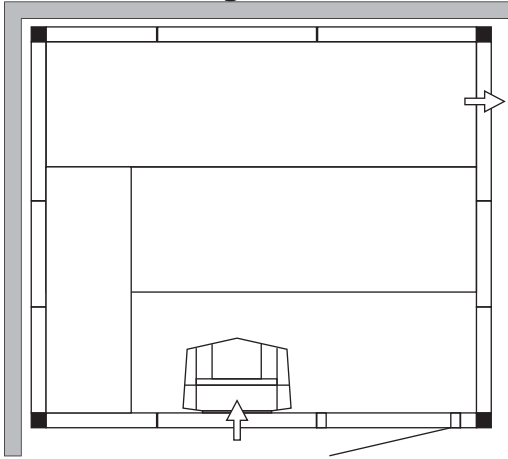


F Layouts 2219

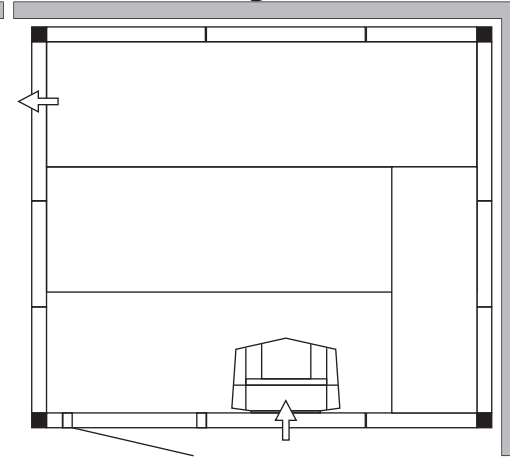
G = Glass
GV = Glass ventilation

Standard

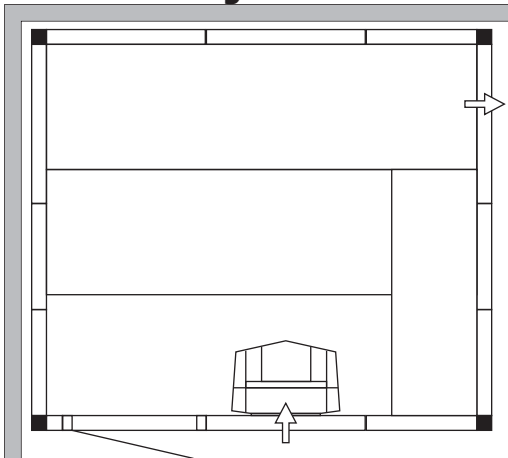
Layout 1



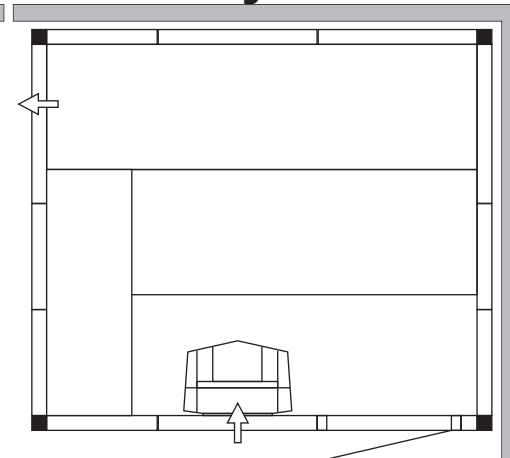
Layout 2



Layout 3

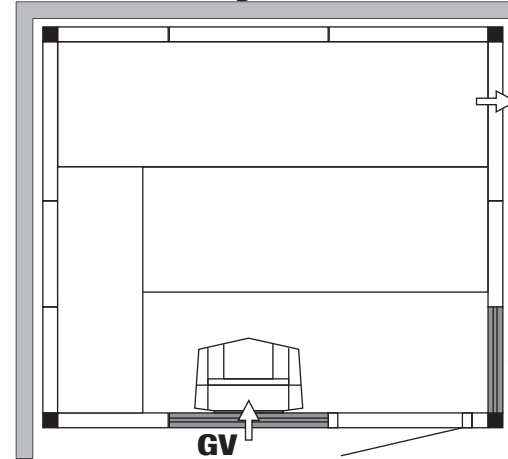


Layout 4

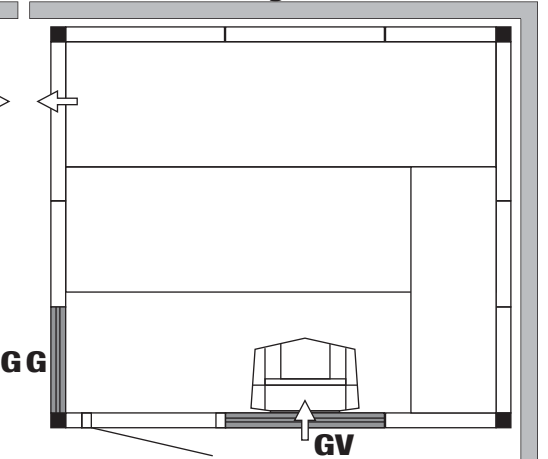


Standard with optional glass section + glass vent.

Layout 5

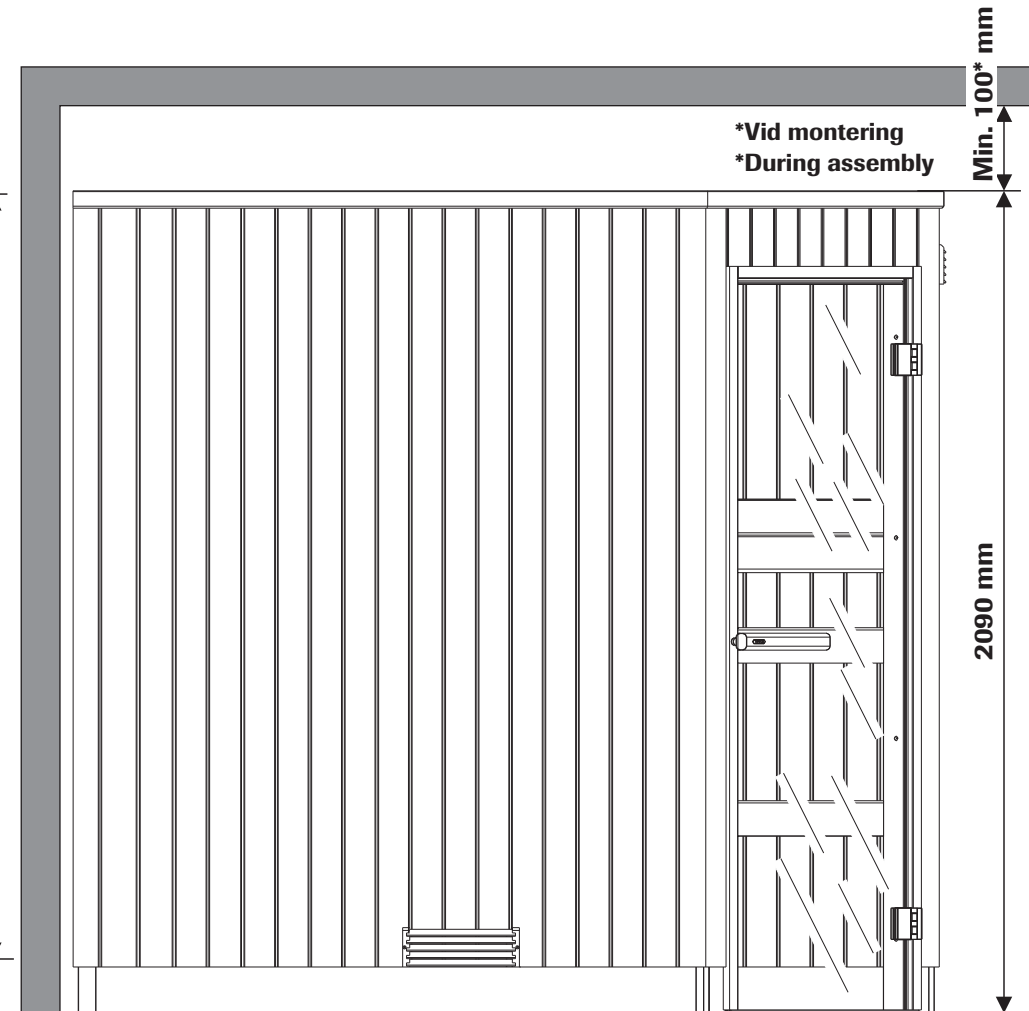
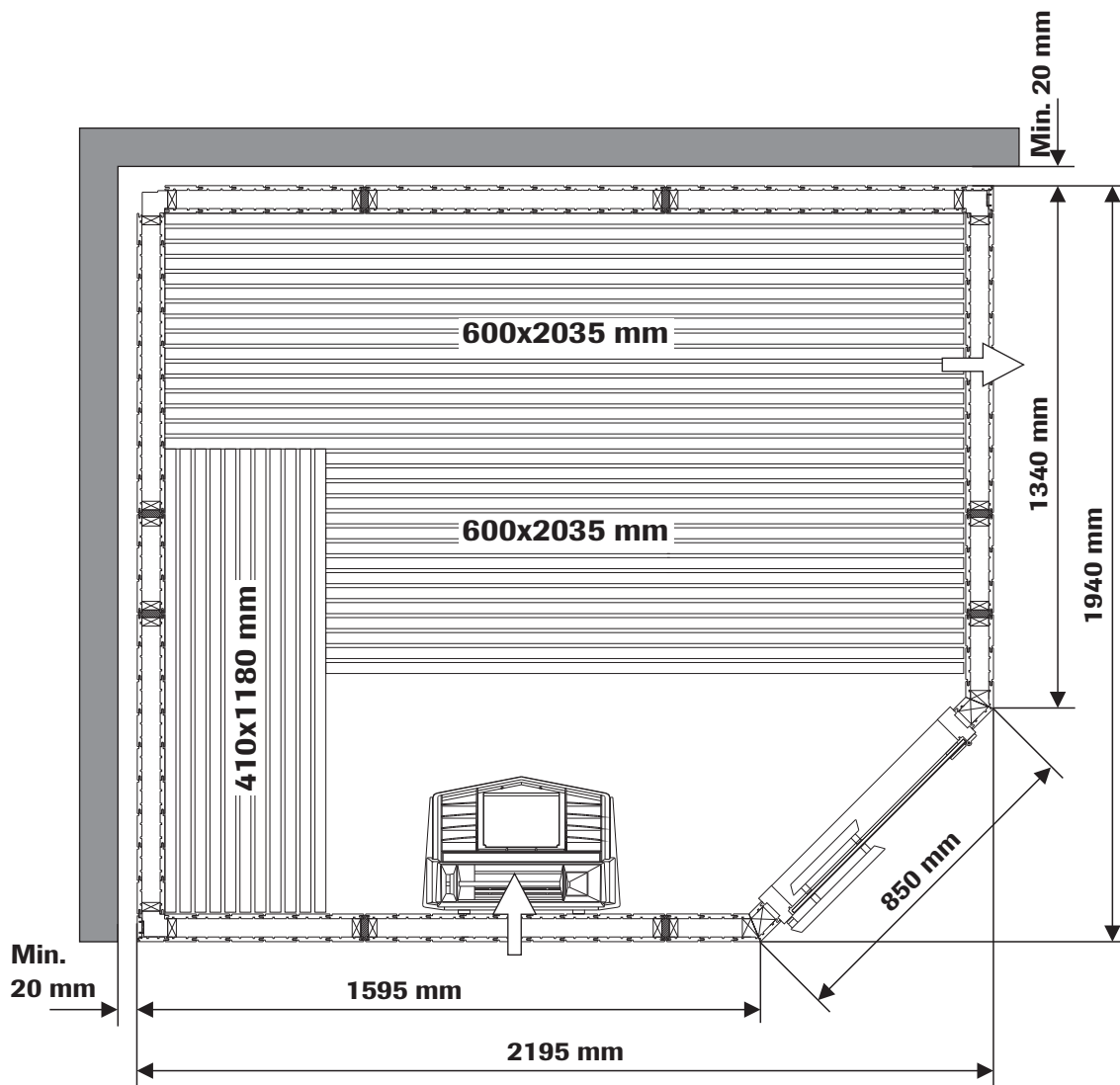


Layout 6



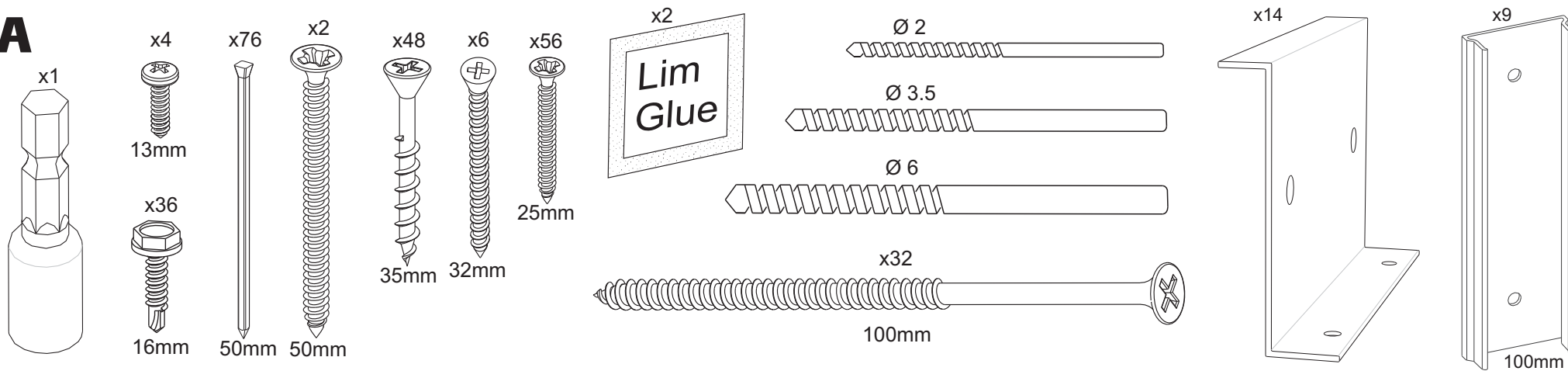
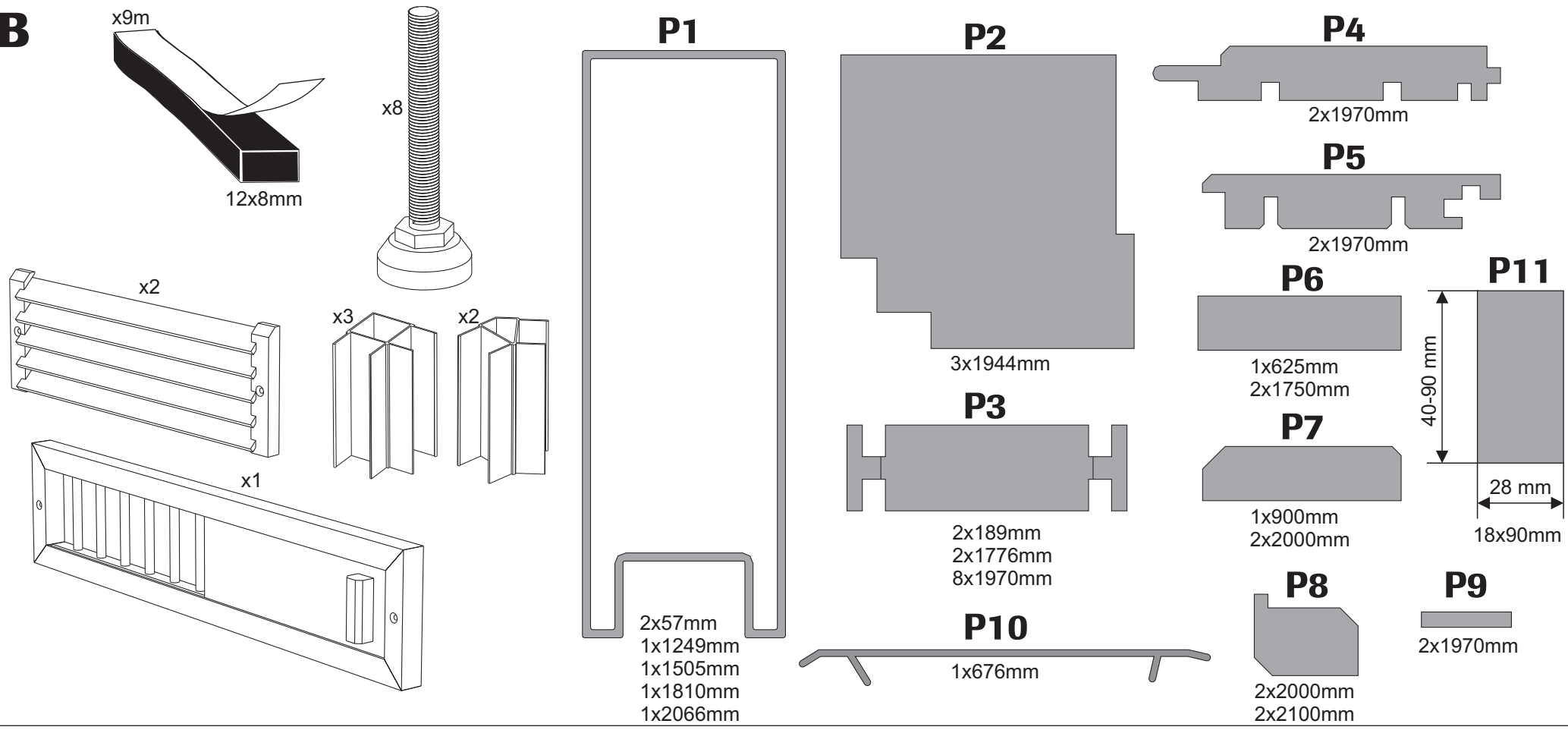
TYLÖ SAUNA E2219/c

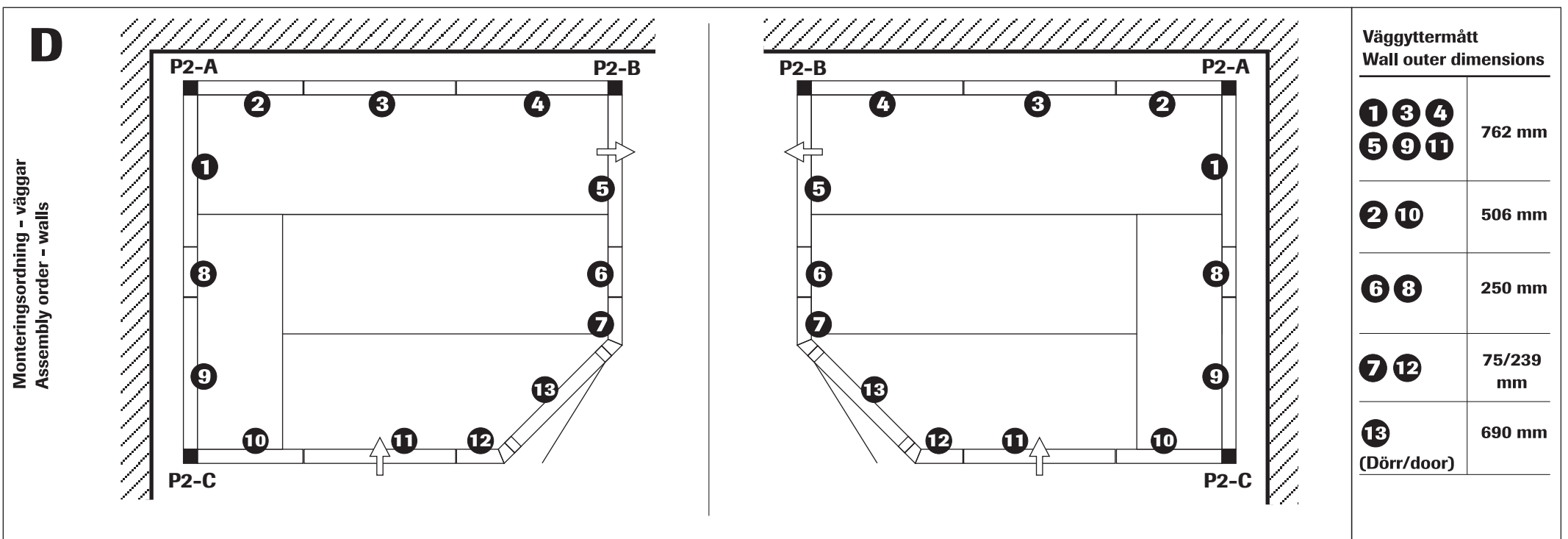
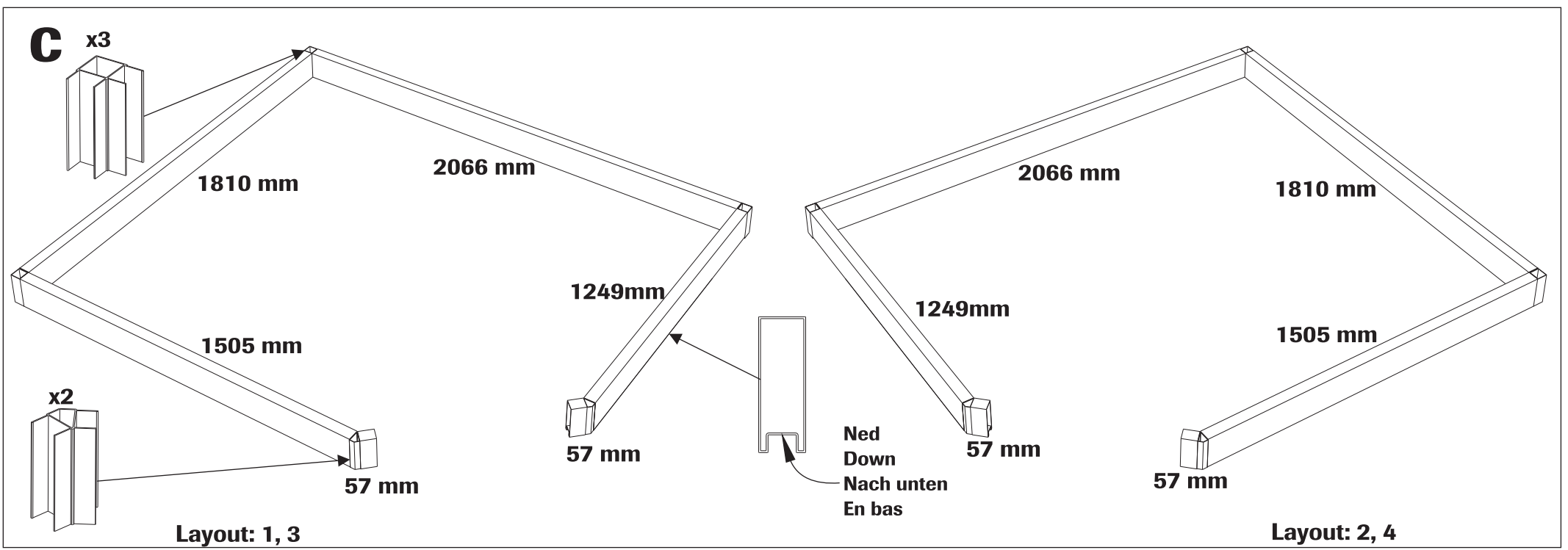
1111



Art.nr 2900 4360

TYLÖ[®]
for the senses

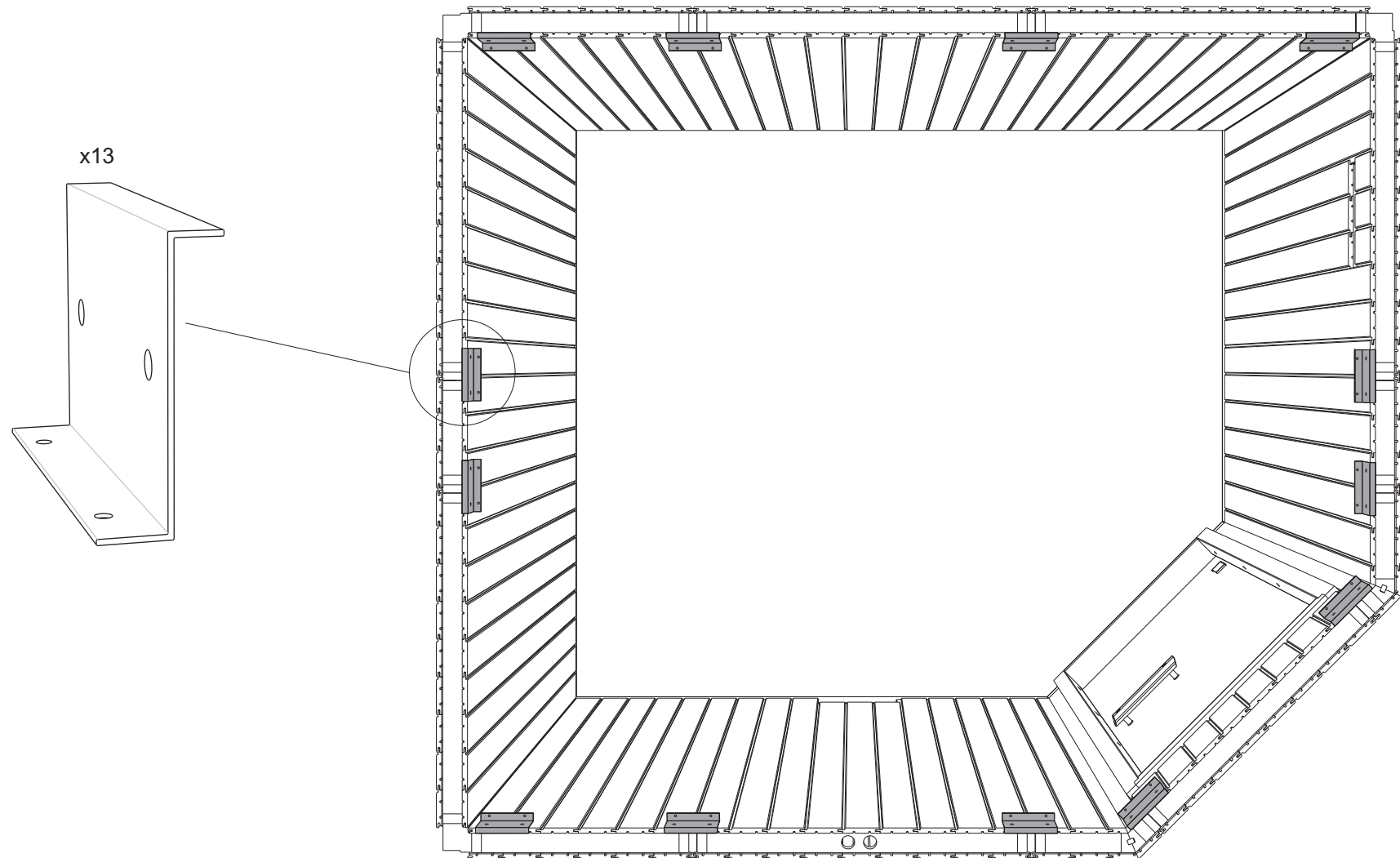
A**B**



E

Placering av skarvprofil.
Montering - se monteringsanvisning av rummet.

Location of the joint profile
Assembly - see installation instructions of the room.

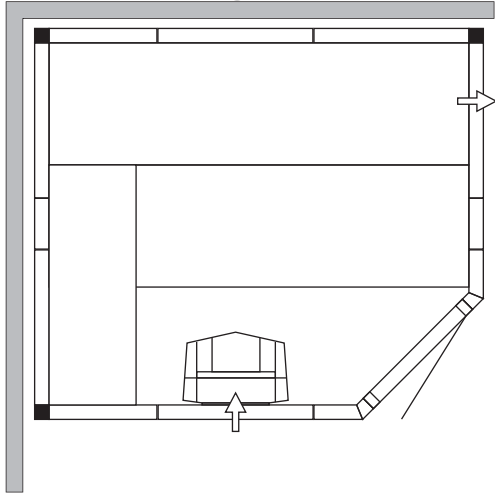


F Layouts 2219/c

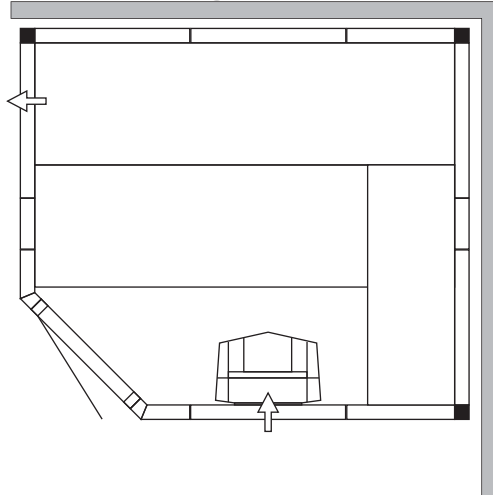
GV = Glass ventilation

Standard

Layout 1

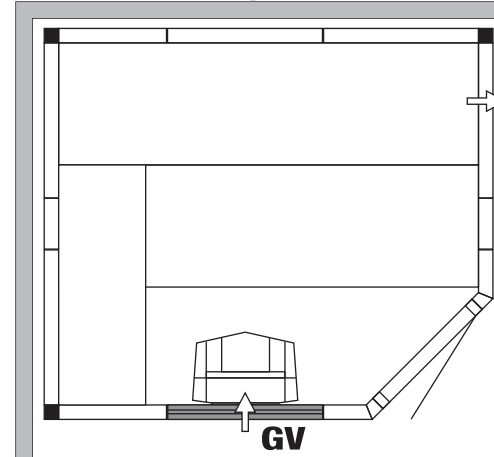


Layout 2

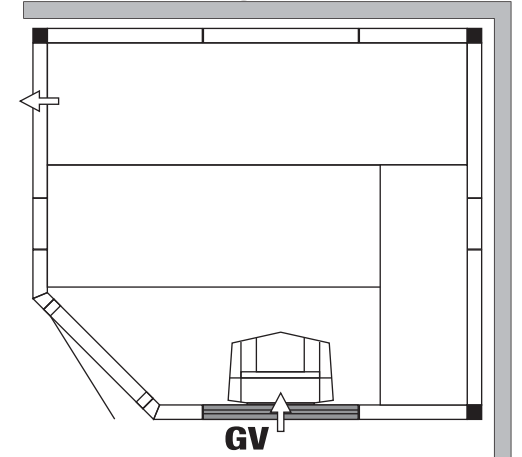


Standard with optional glass vent.

Layout 3

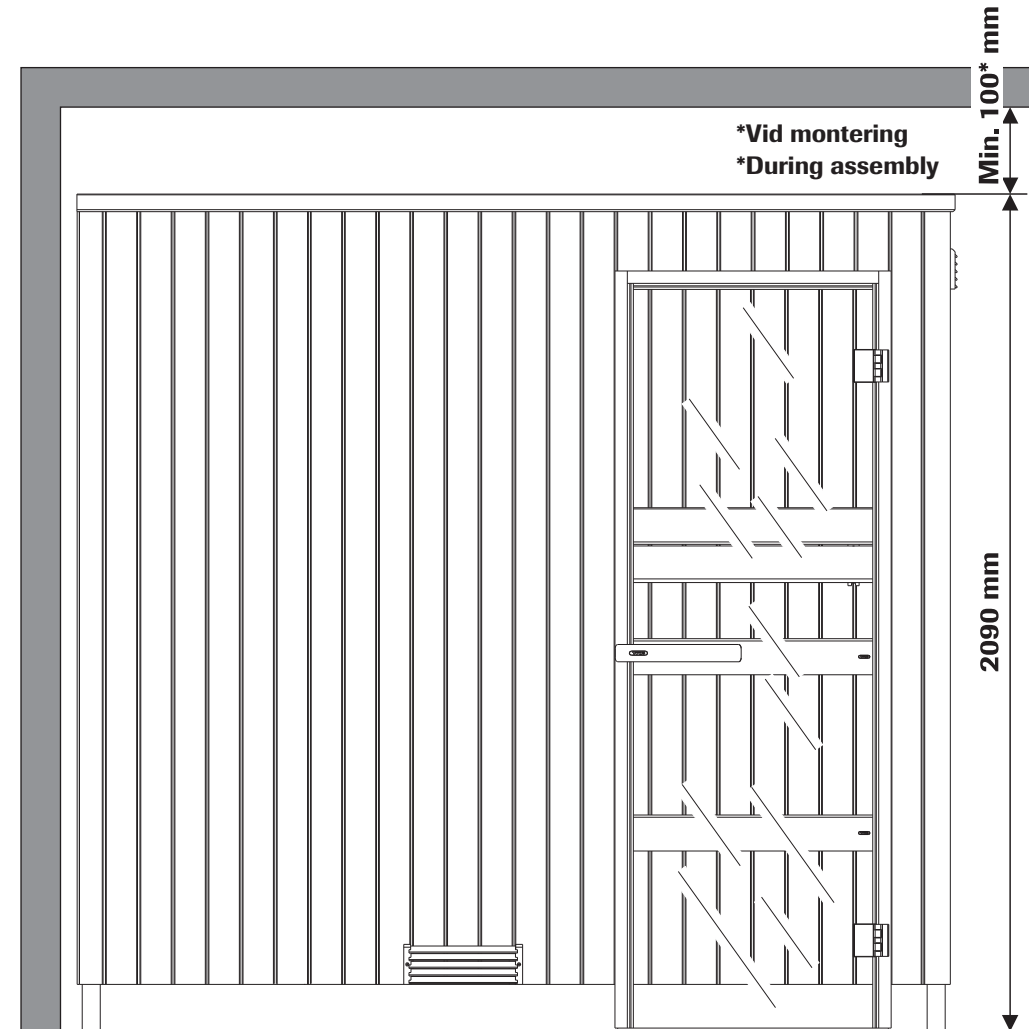
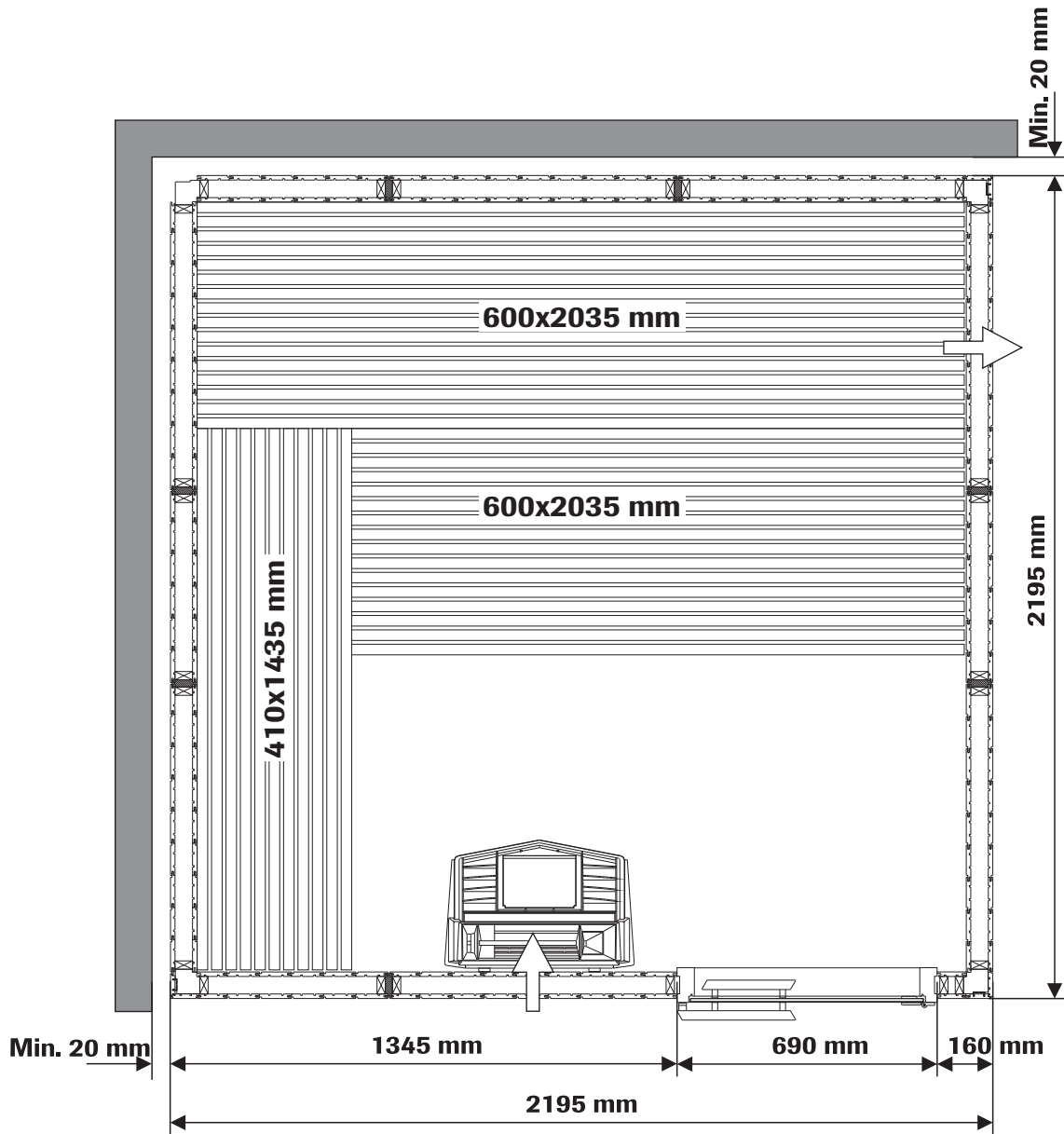


Layout 4



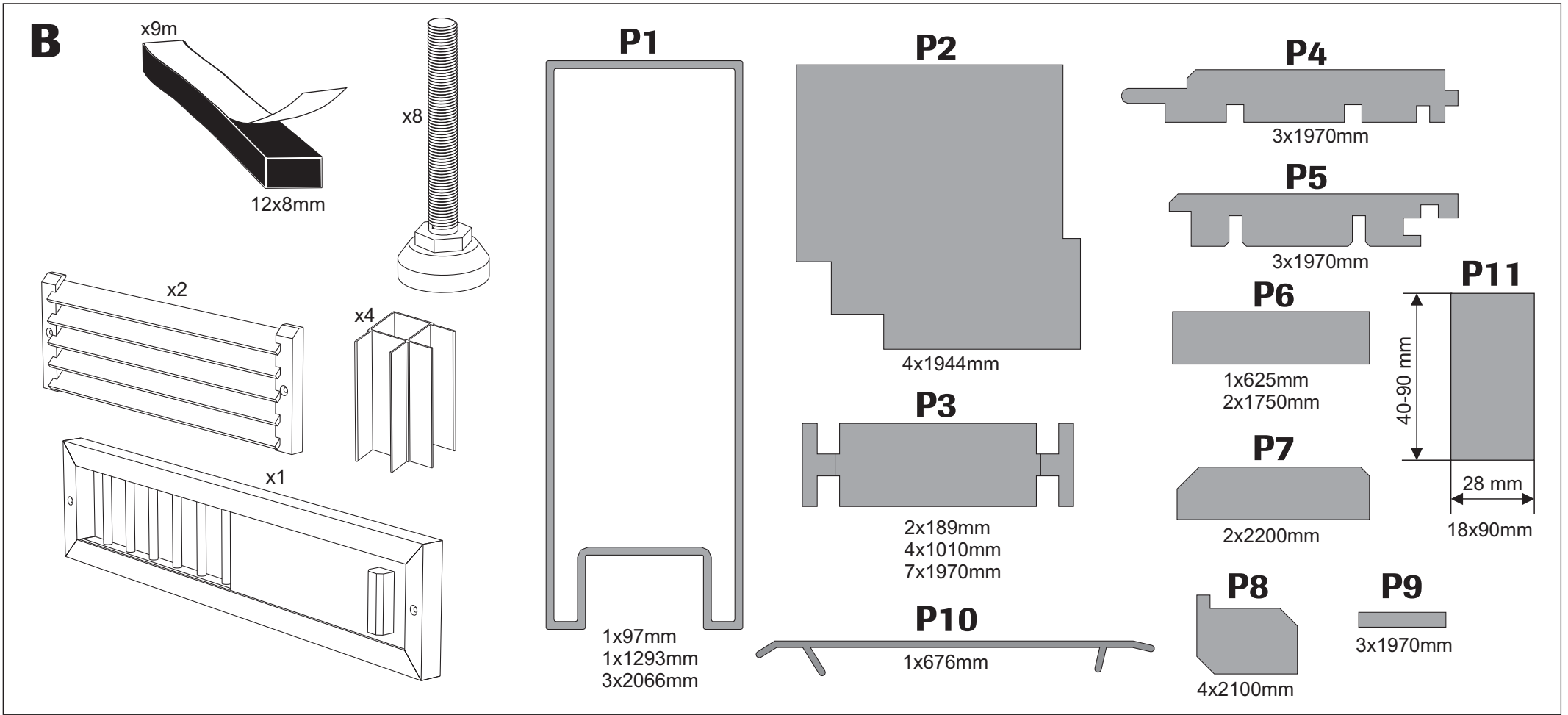
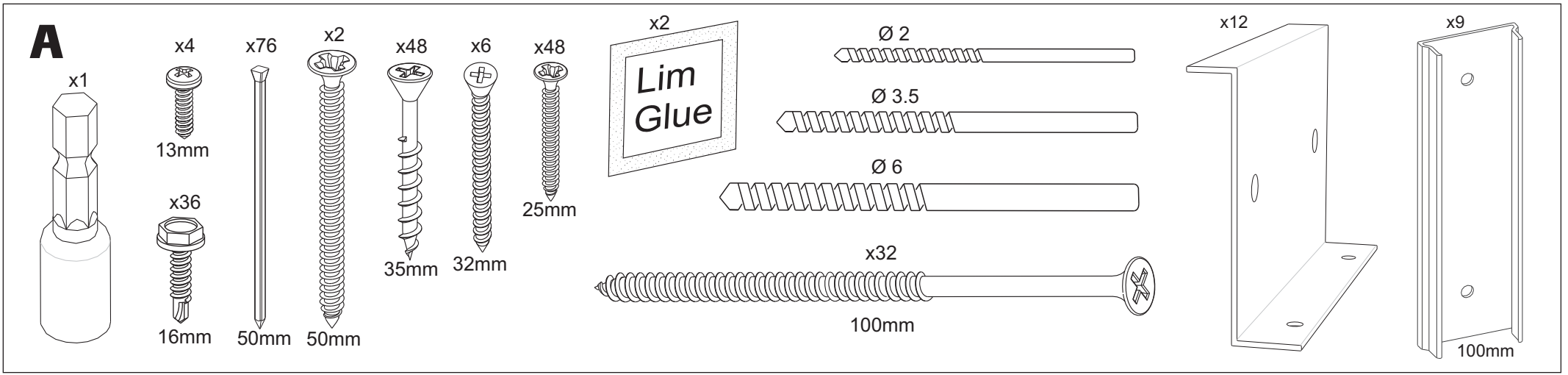
TYLÖ SAUNA E2222

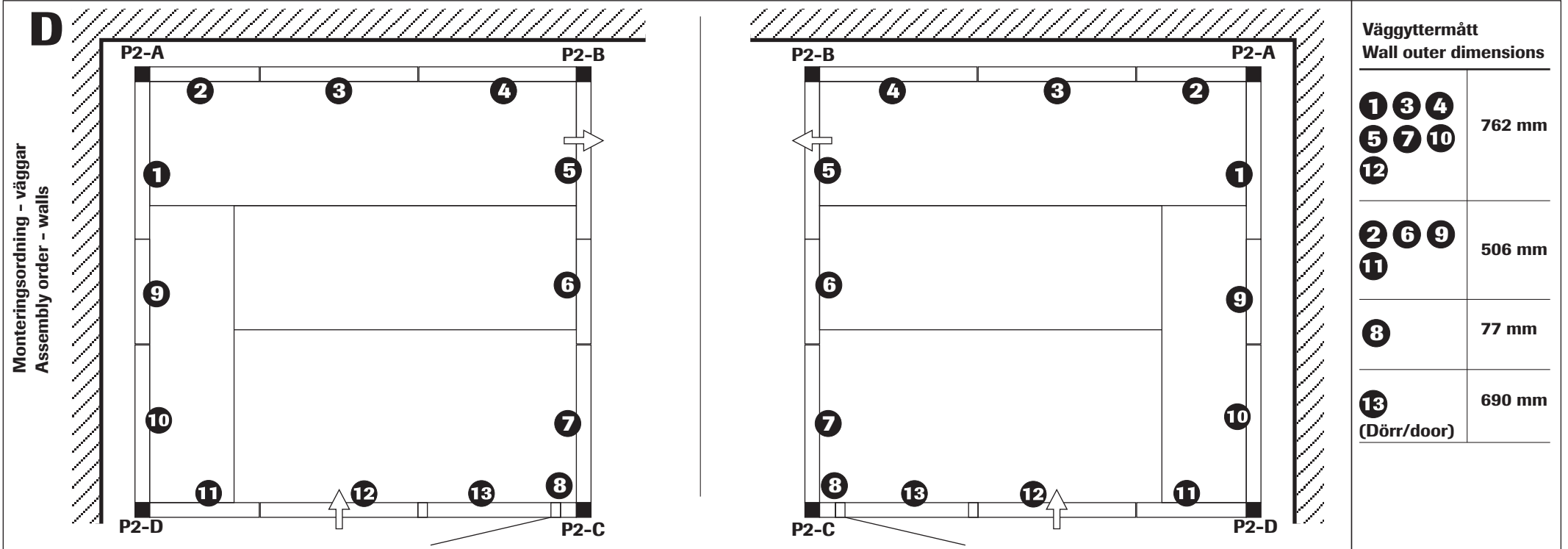
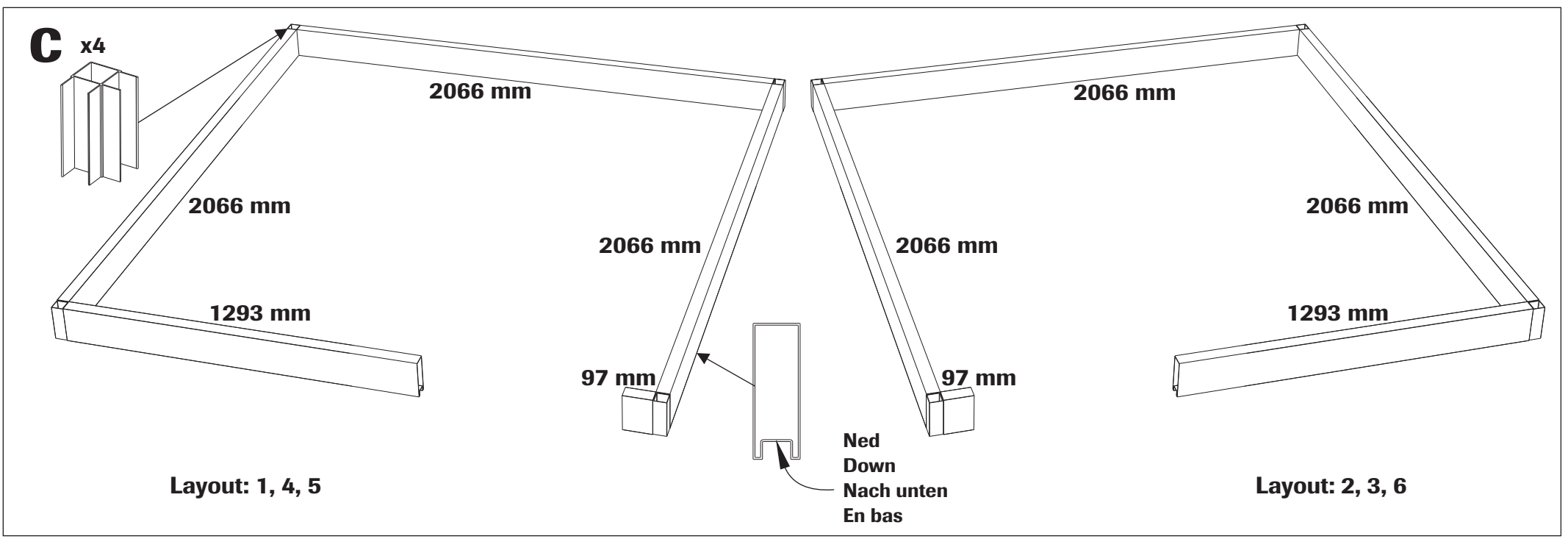
1111



Art.nr 2900 4365

TYLÖ[®]
for the senses

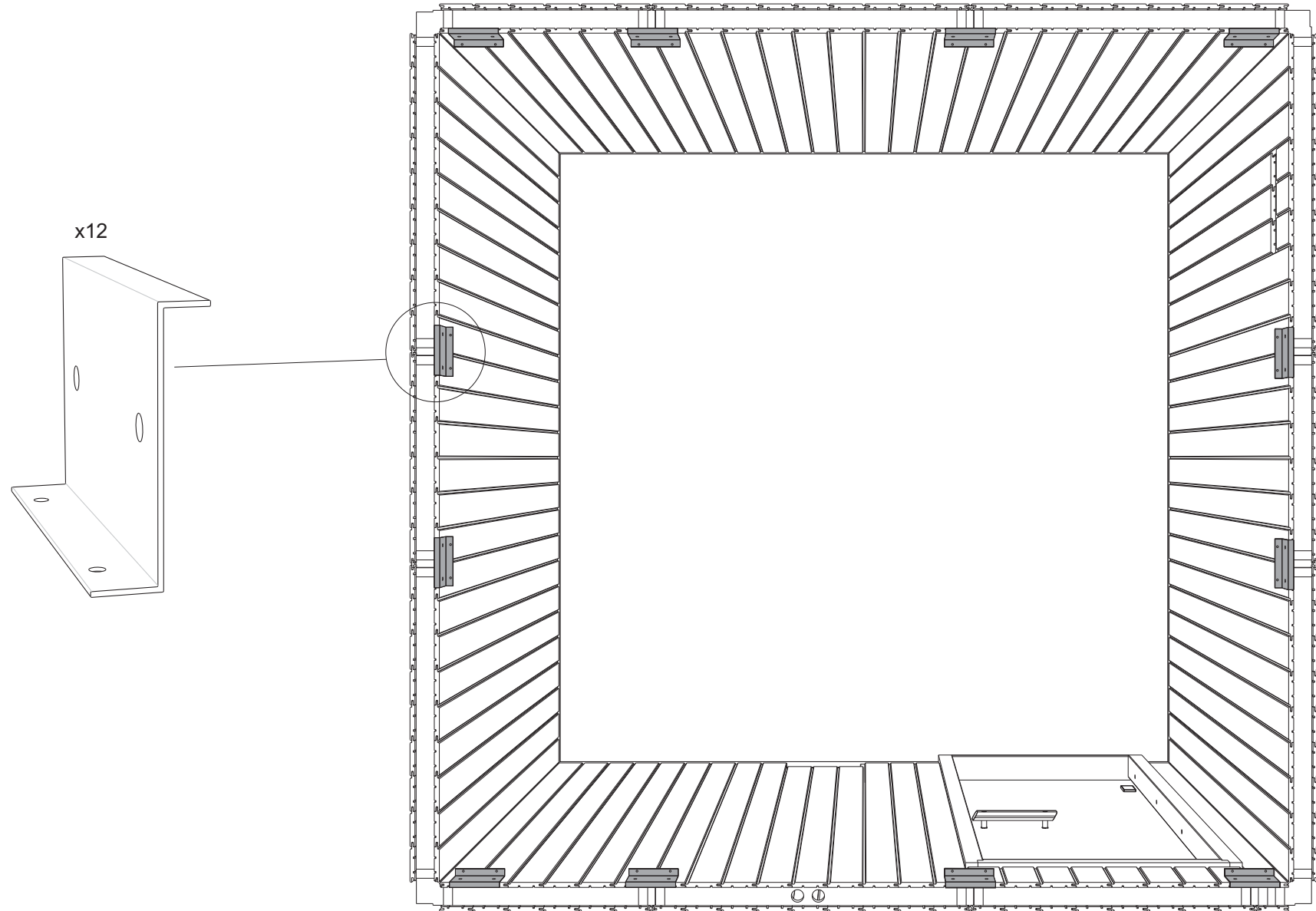




E

Placering av skarvprofil.
Montering - se monteringsanvisning av rummet.

Location of the joint profile
Assembly - see installation instructions of the room.

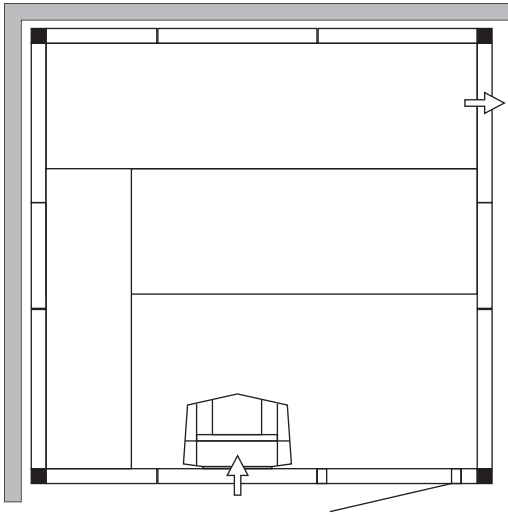


F Layouts 2222

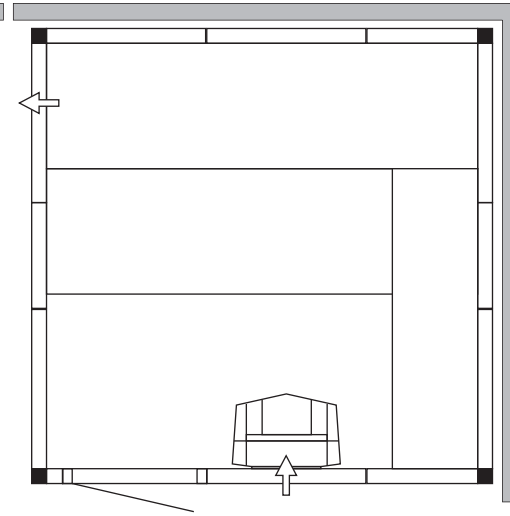
G = Glass
GV = Glass ventilation

Standard

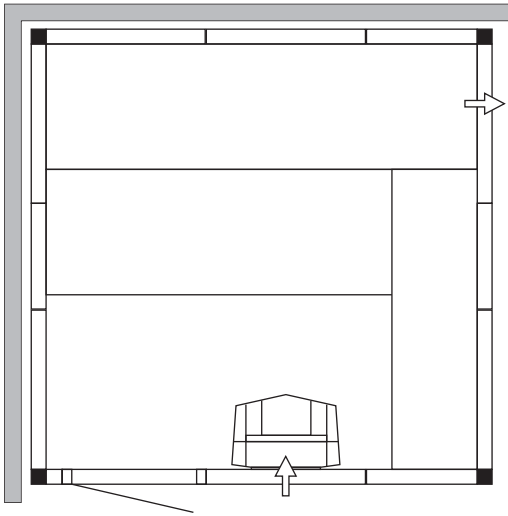
Layout 1



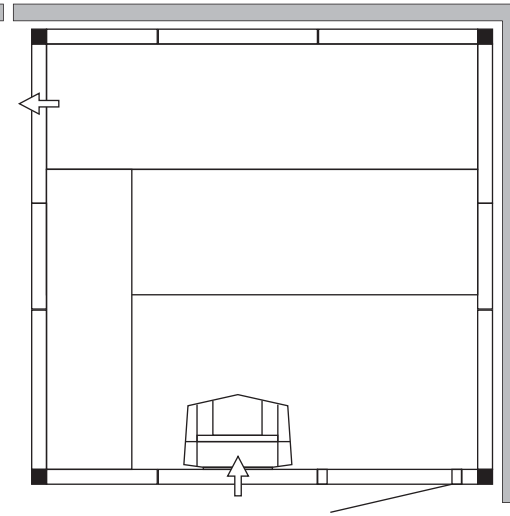
Layout 2



Layout 3

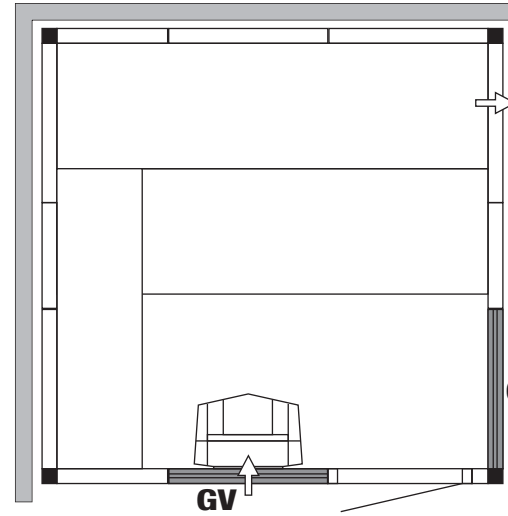


Layout 4

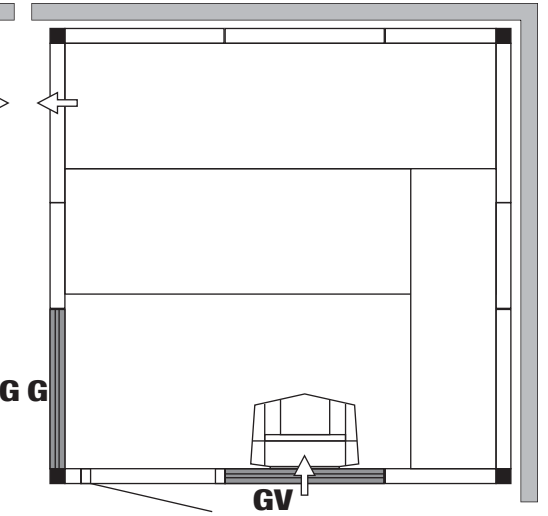


Standard with optional glass section + glass vent.

Layout 5

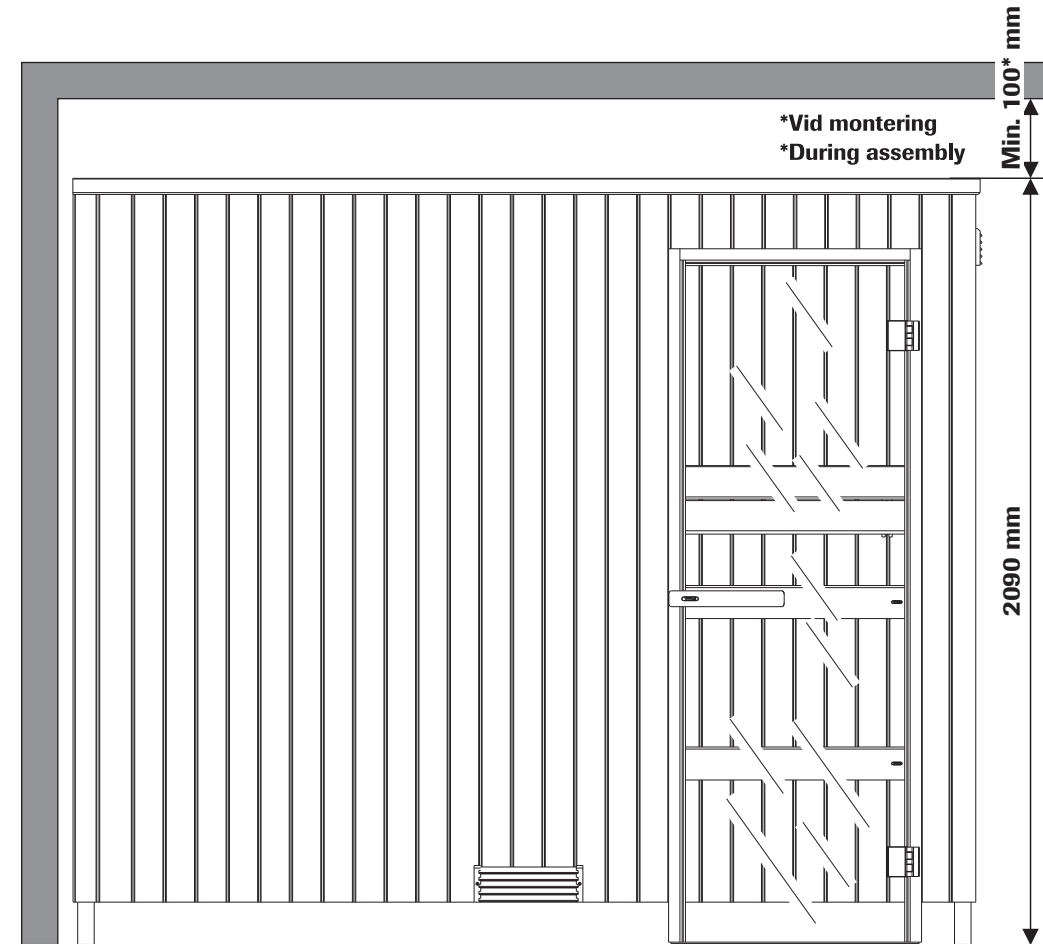
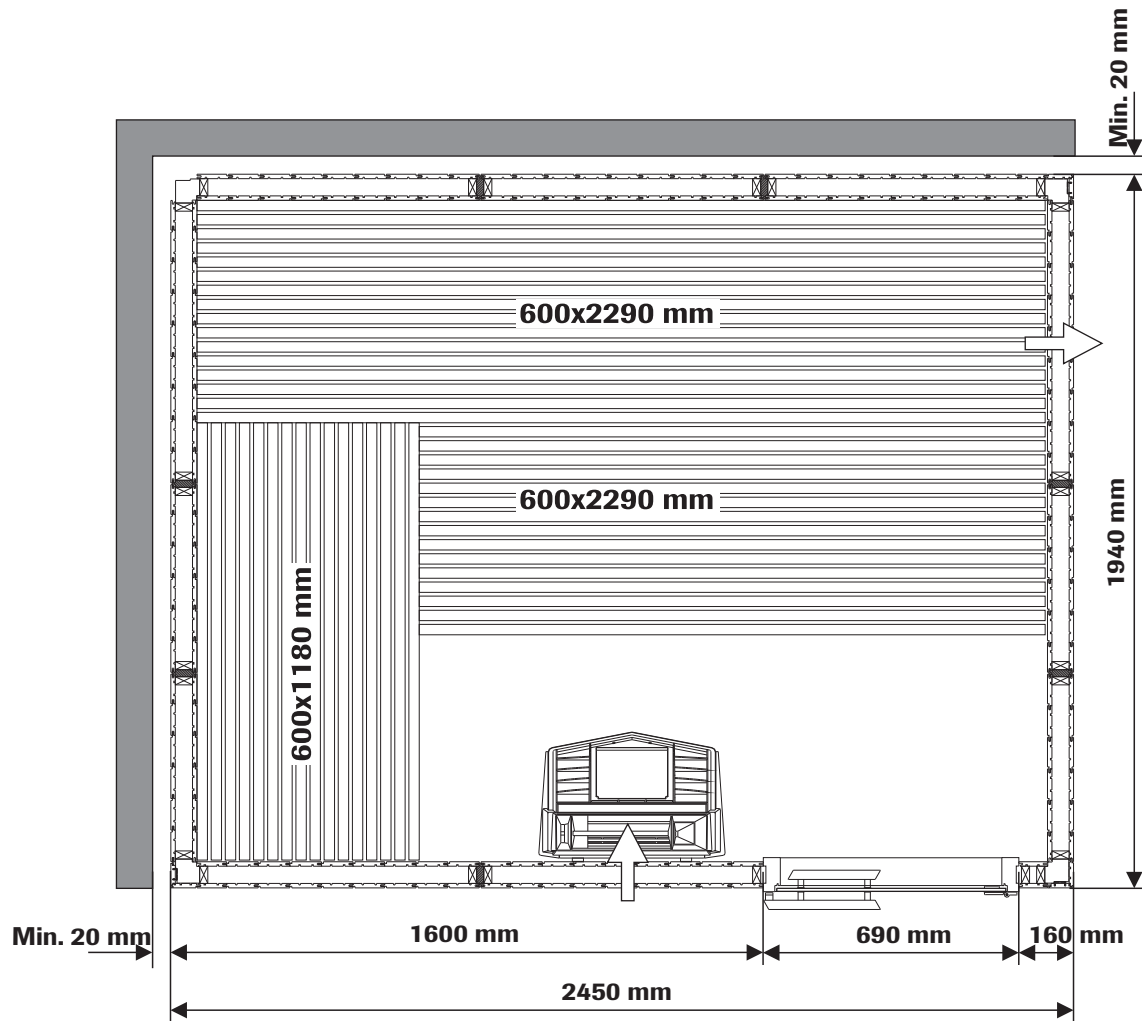


Layout 6



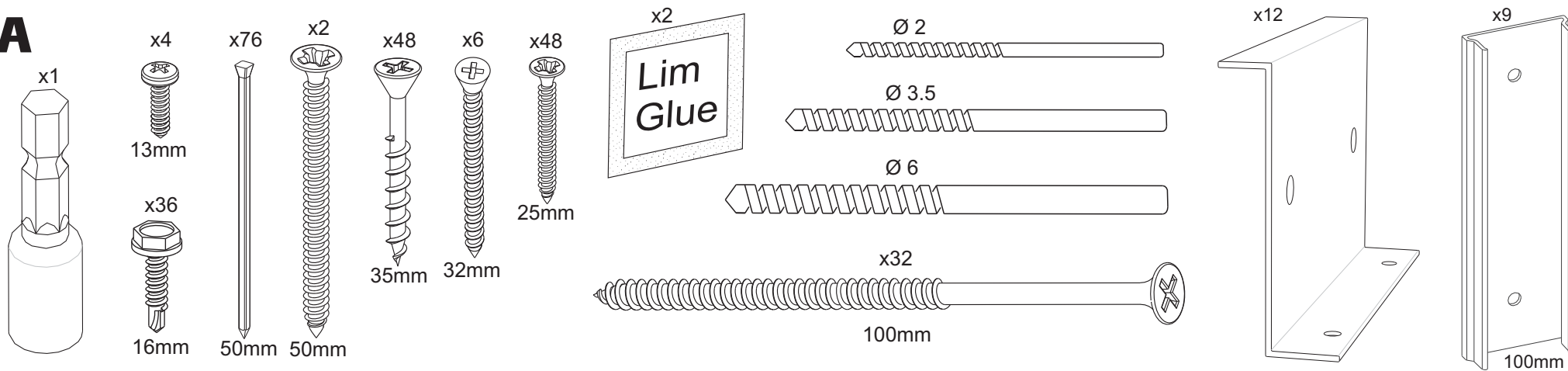
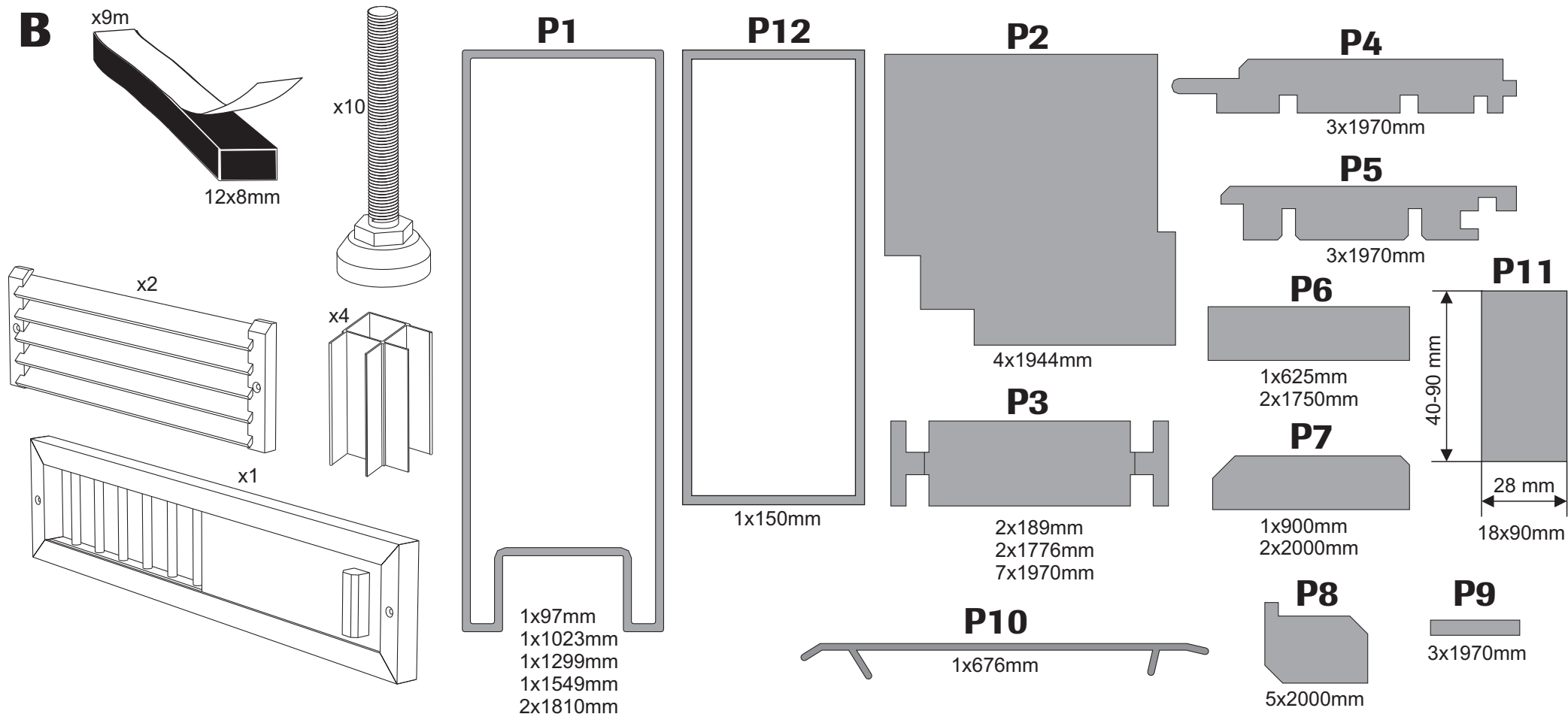
TYLÖ SAUNA E2419

1111

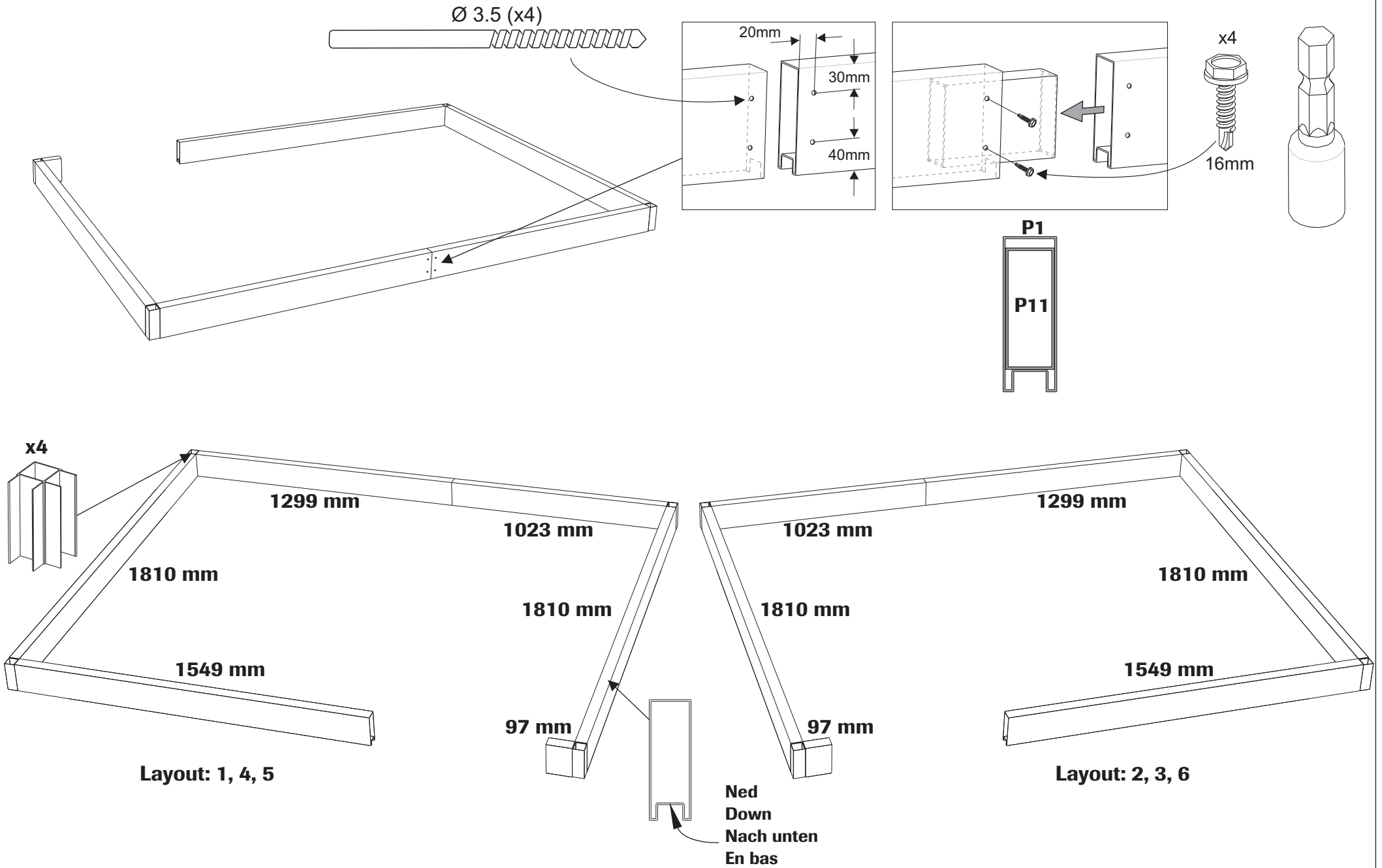


Art.nr 2900 4370

TYLÖ[®]
for the senses

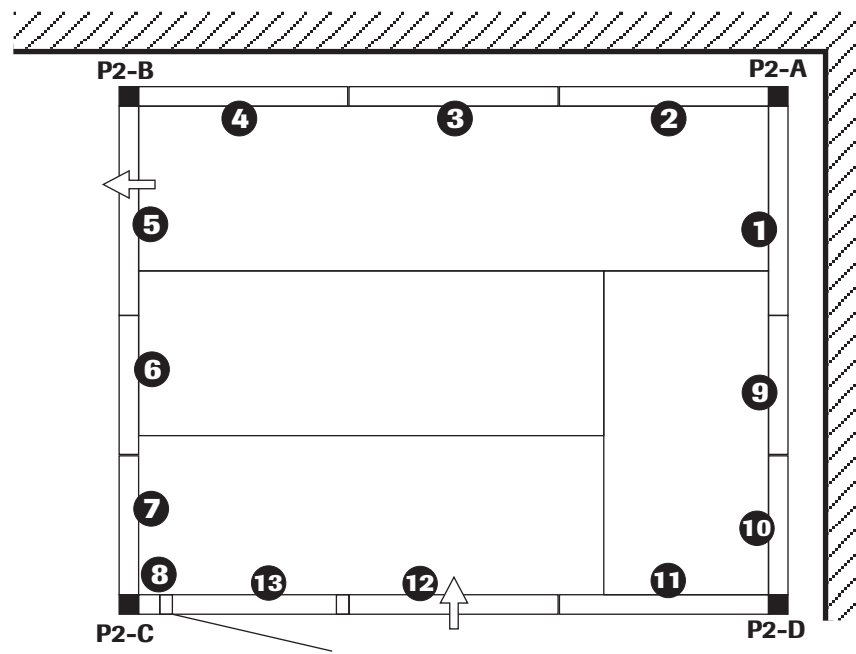
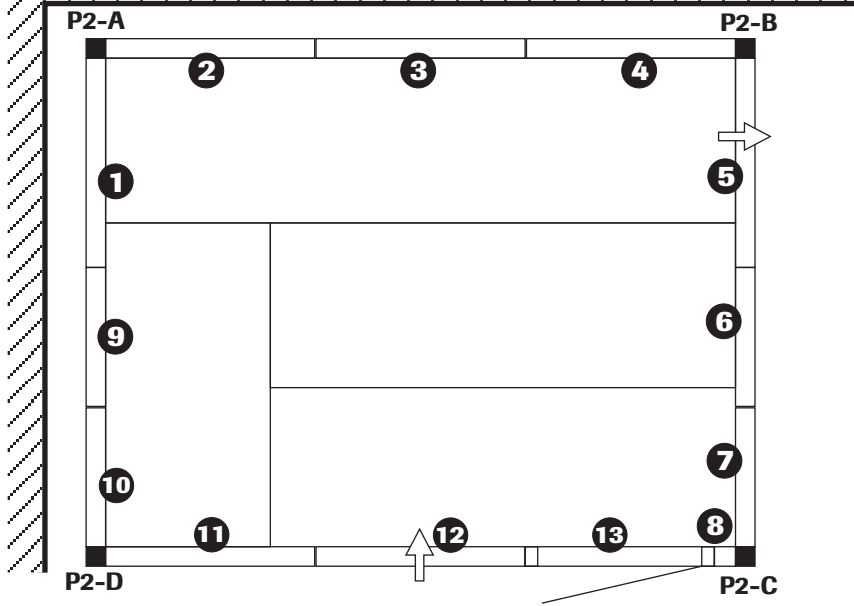
A**B**

C



D

Monteringsordning - väggar
 Assembly order - walls



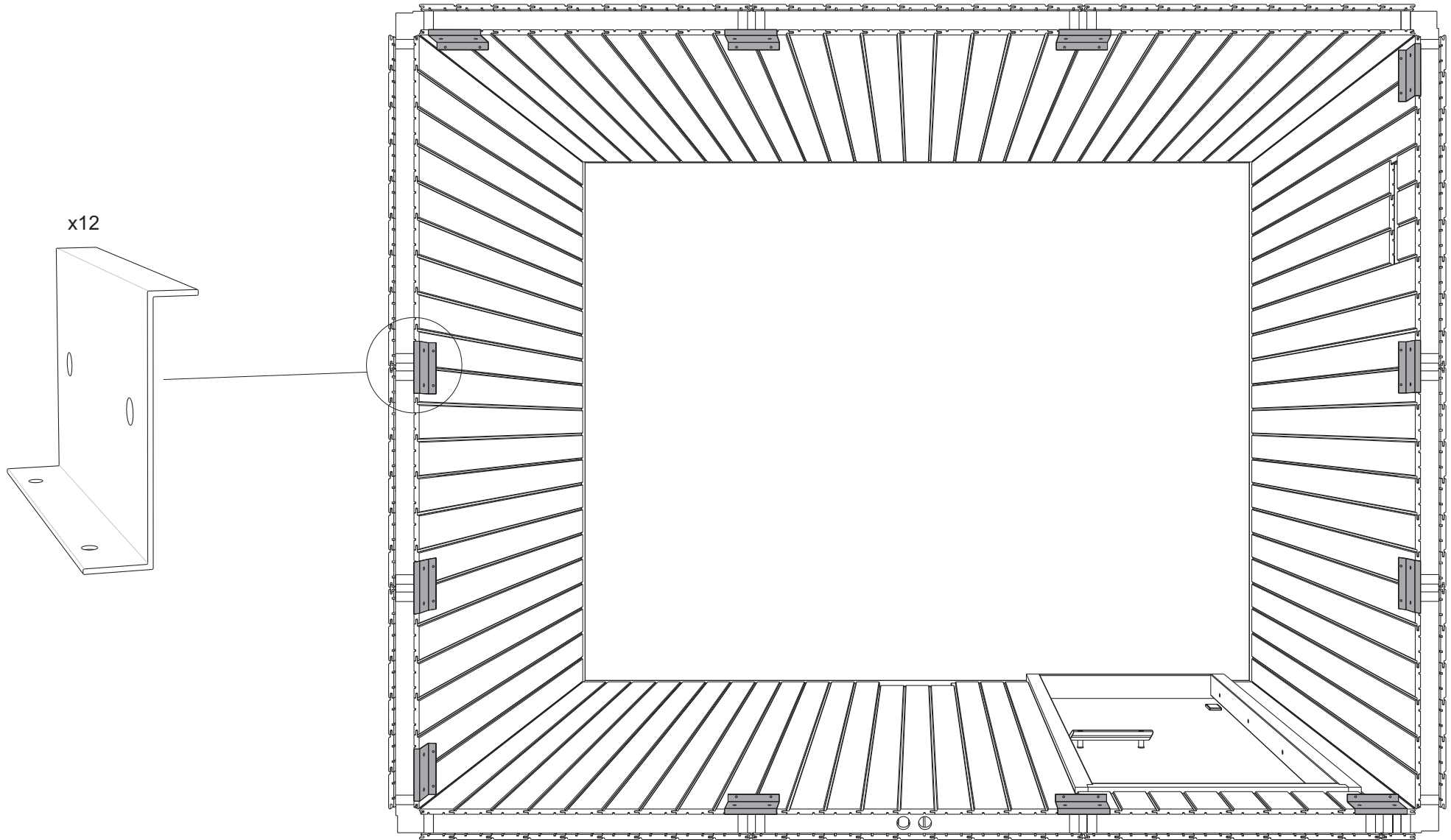
Väggyttermått
 Wall outer dimensions

1 2 3	762 mm
4 5 11	
12	506 mm
6 7 9	
10	77 mm
8	
13 (Dörr/door)	690 mm

E

Placering av skarvprofil.
Montering - se monteringsanvisning av rummet.

Location of the joint profile
Assembly - see installation instructions of the room.

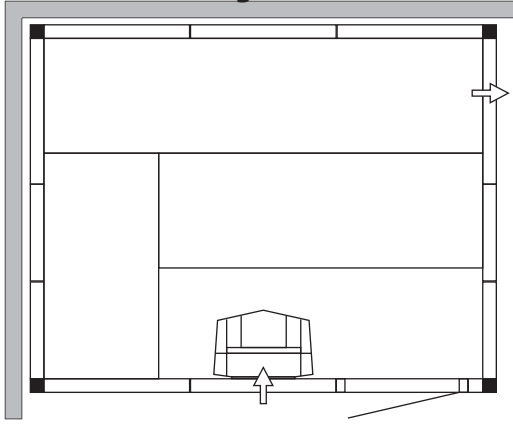


F Layouts 2419

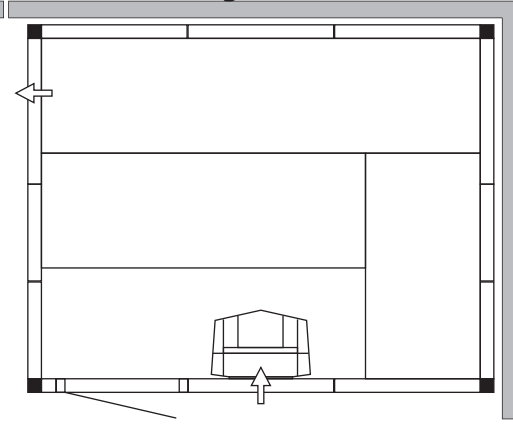
G = Glass
GV = Glass ventilation

Standard

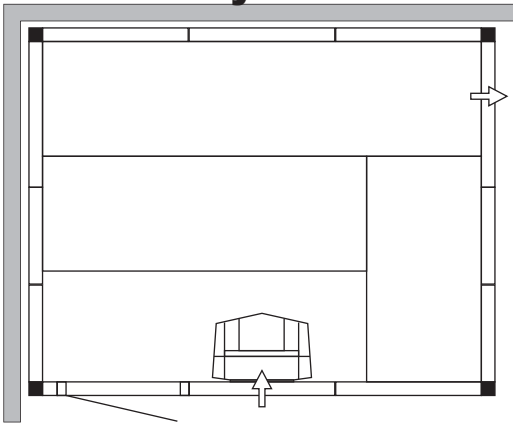
Layout 1



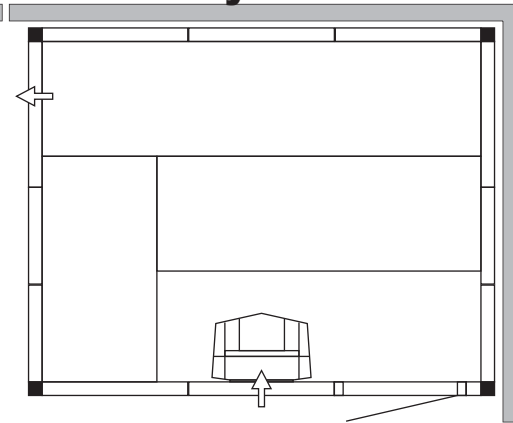
Layout 2



Layout 3

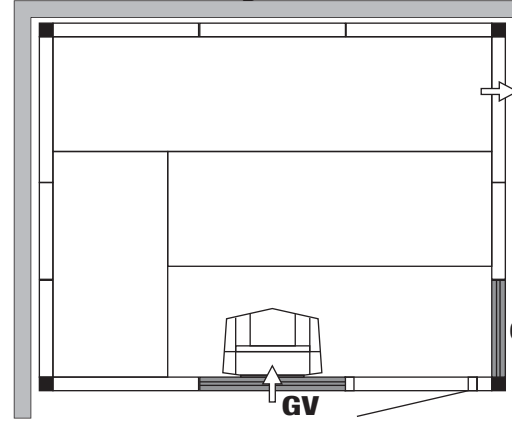


Layout 4

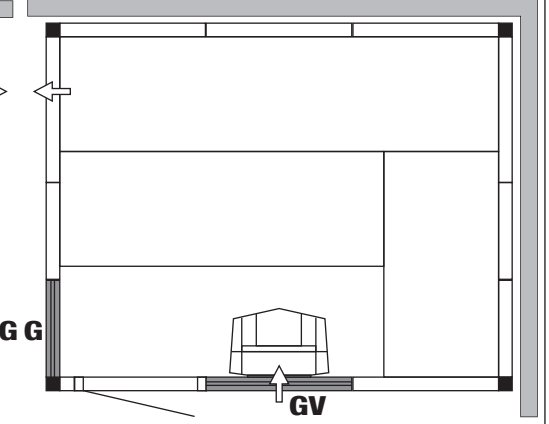


Standard with optional glass section + glass vent.

Layout 5

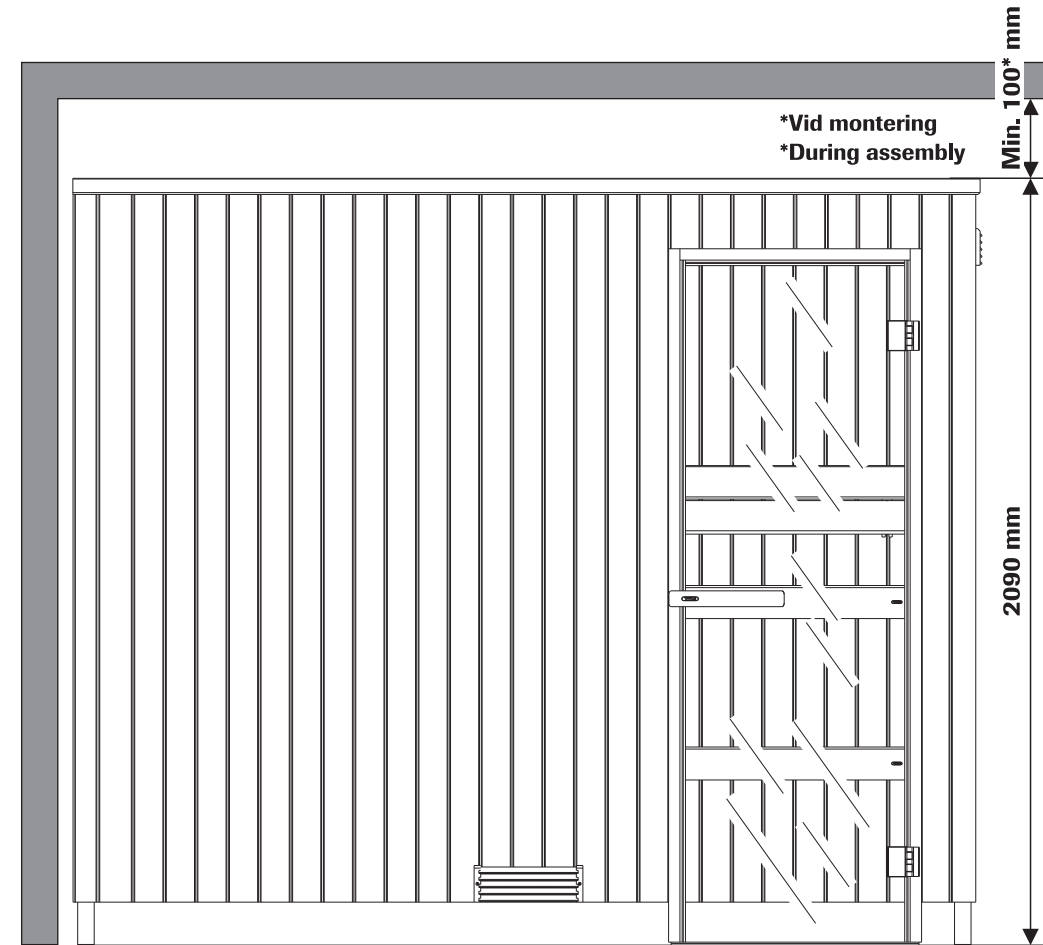
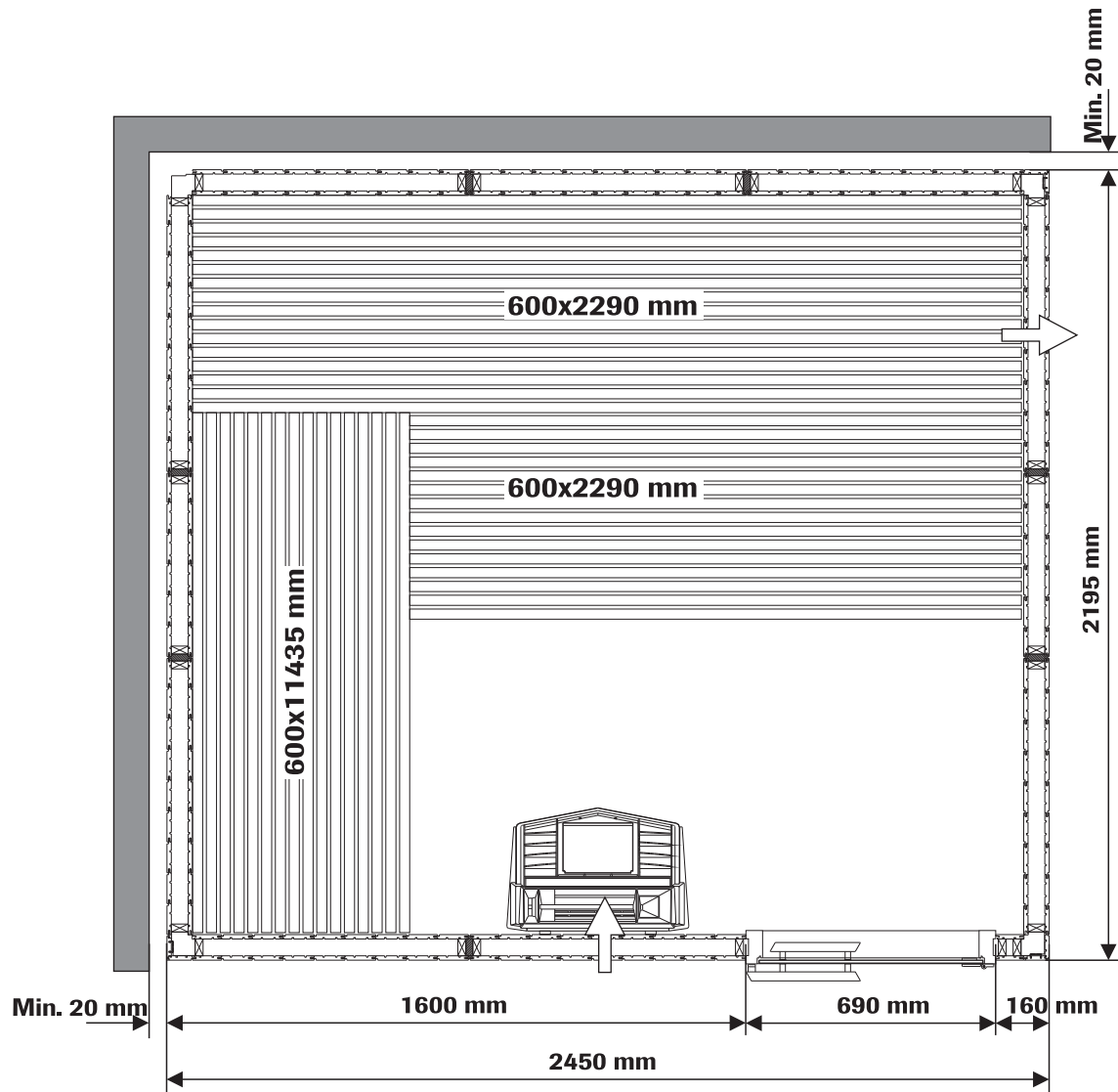


Layout 6



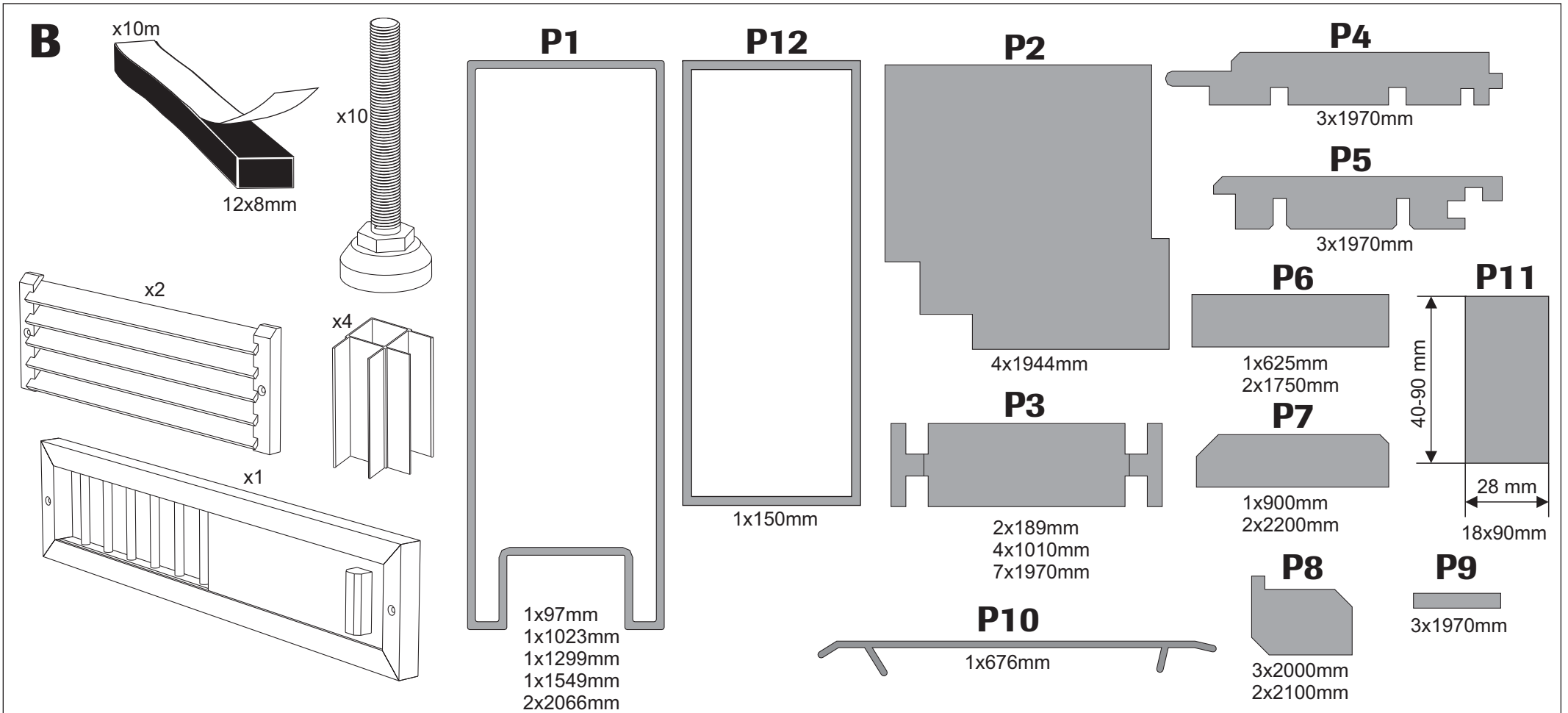
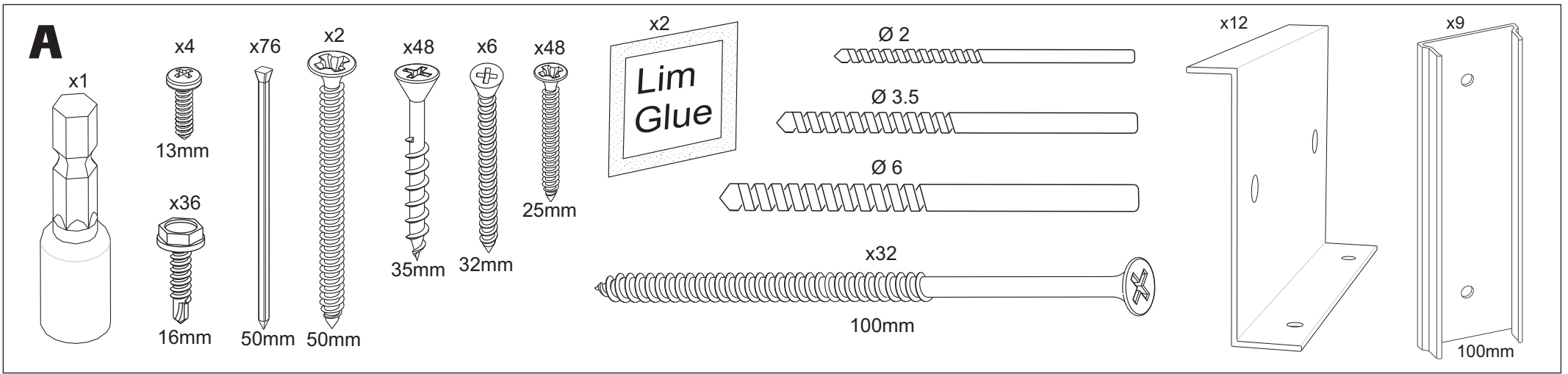
TYLÖ SAUNA E2422

1111

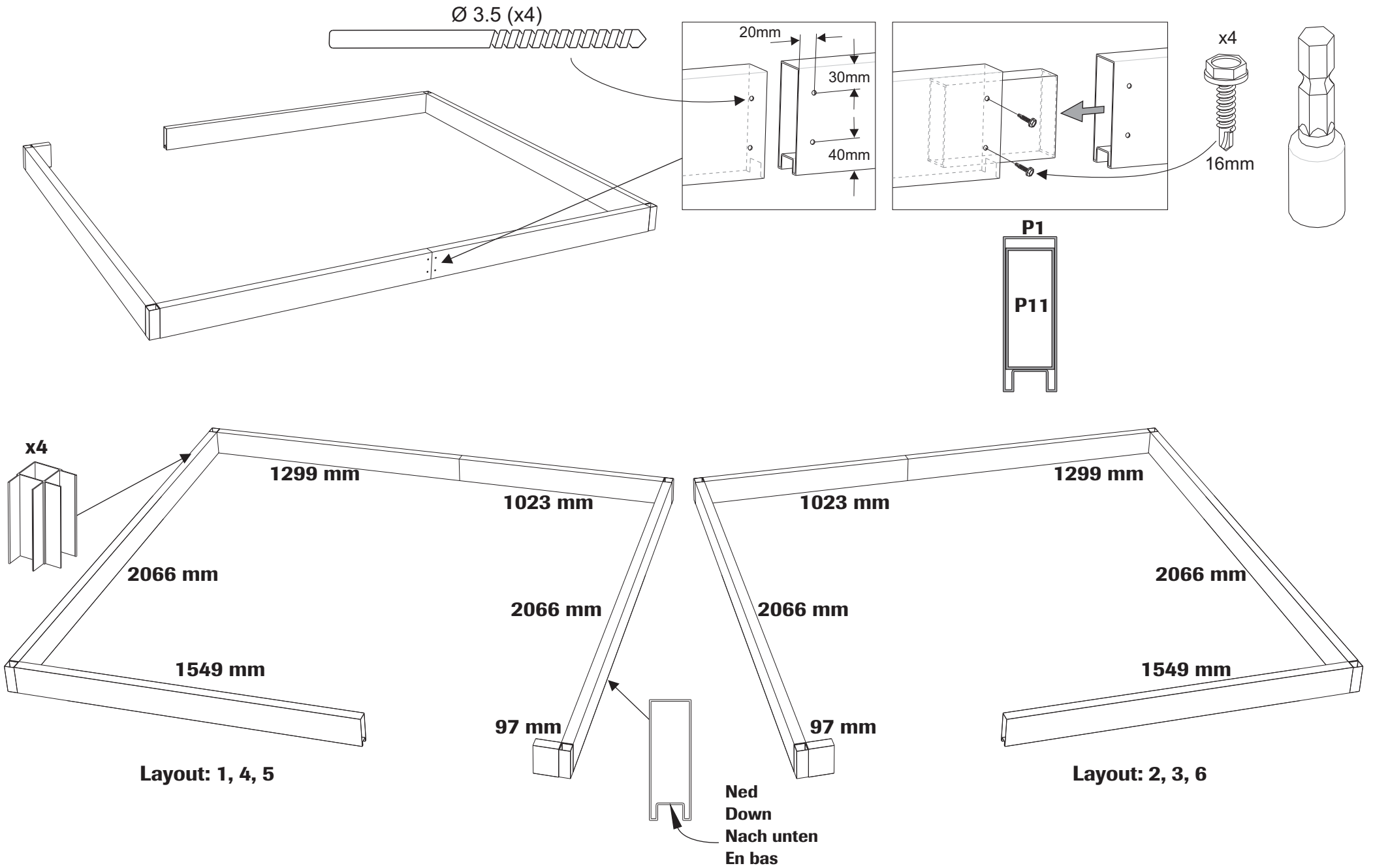


Art.nr 2900 4375

TYLÖ[®]
for the senses

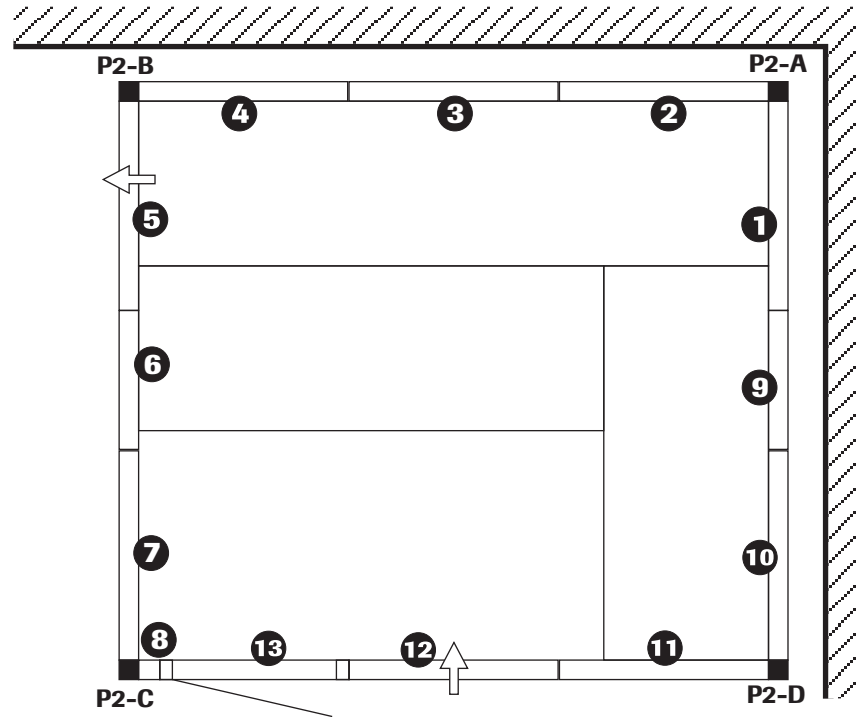
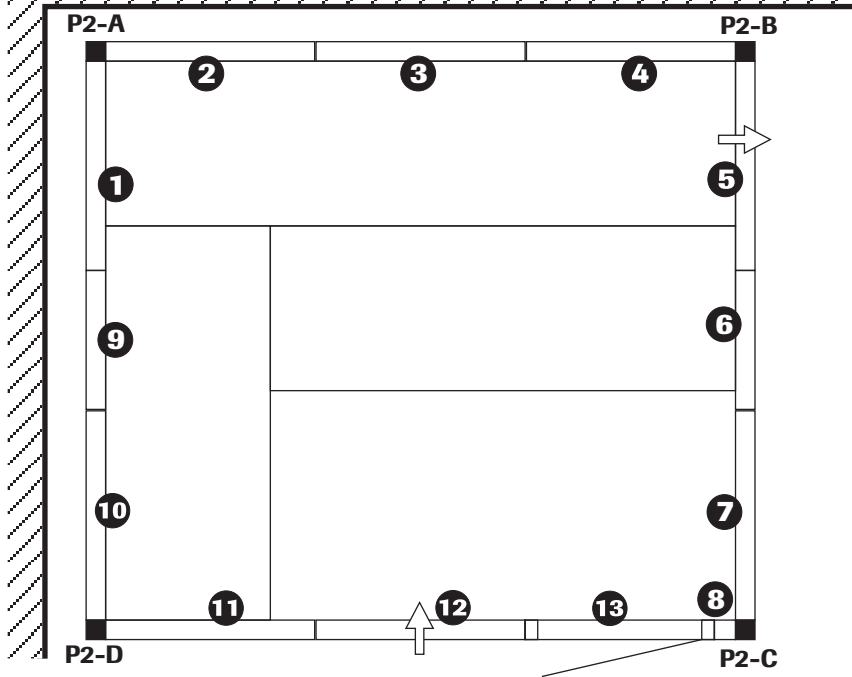


C



D

Monteringsordning - väggar
 Assembly order - walls



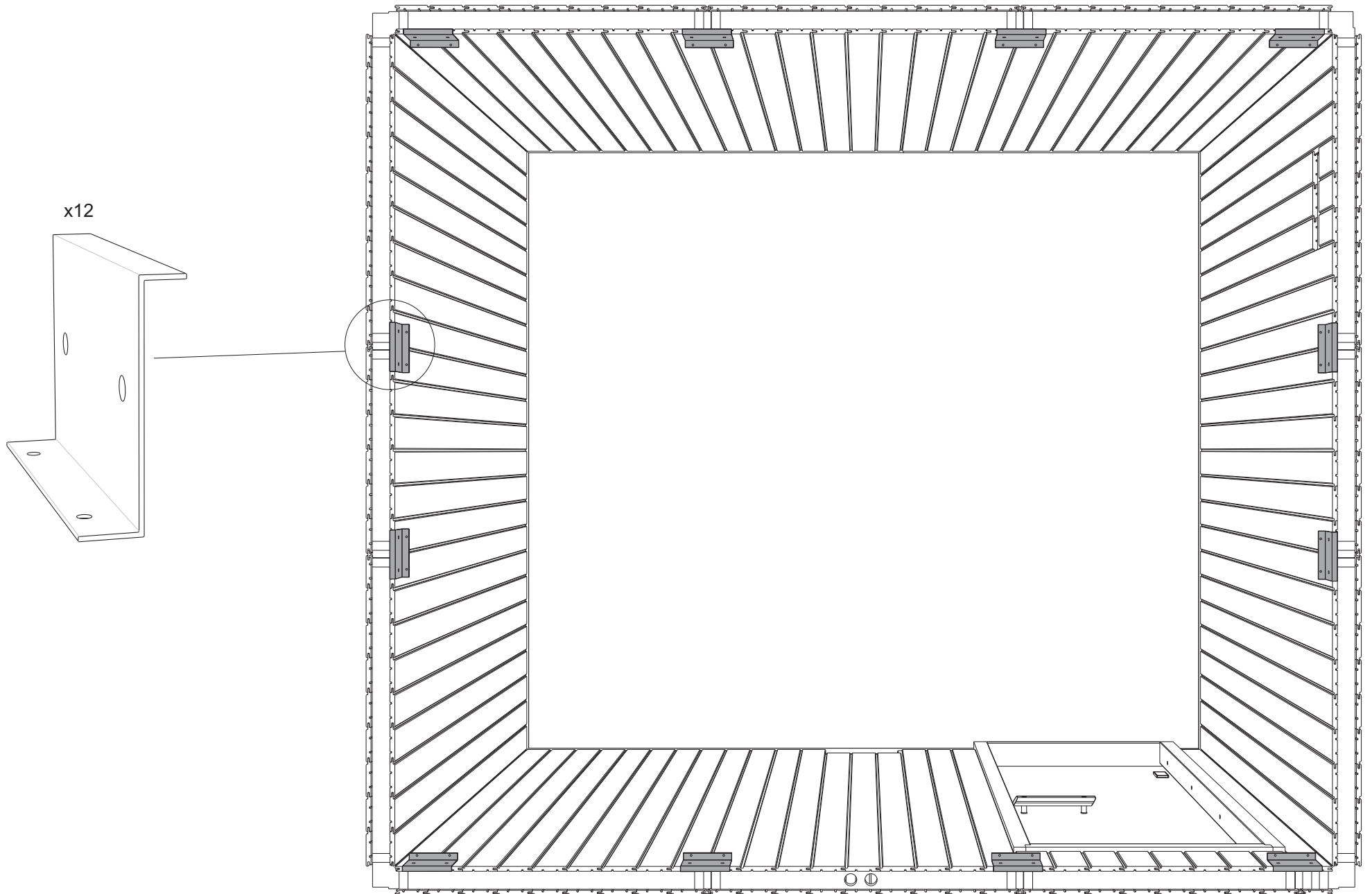
Väggyttermått
 Wall outer dimensions

1 2 3	762 mm
4 5 7	
10 11 12	
6 9	506 mm
8	77 mm
13 (Dörr/door)	690 mm

E

Placering av skarvprofil.
Montering - se monteringsanvisning av rummet.

Location of the joint profile
Assembly - see installation instructions of the room.

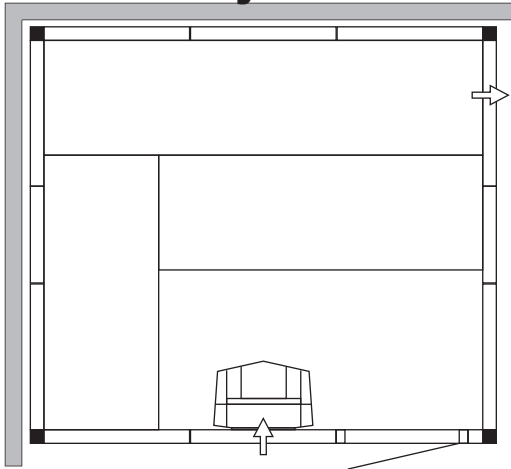


F Layouts 2422

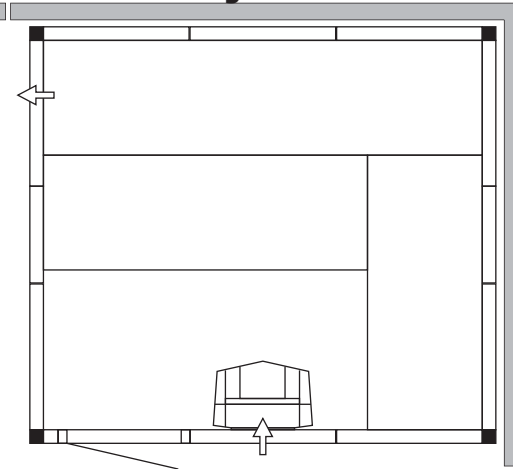
G = Glass
GV = Glass ventilation

Standard

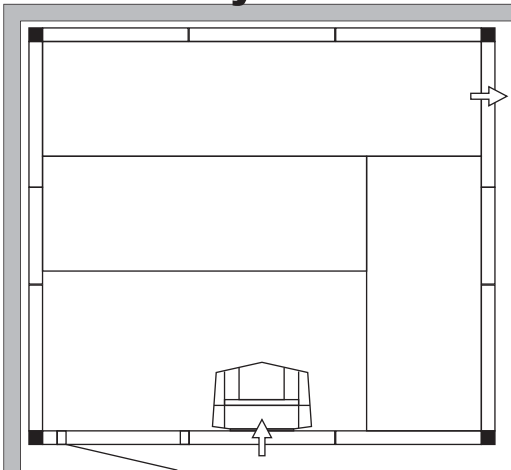
Layout 1



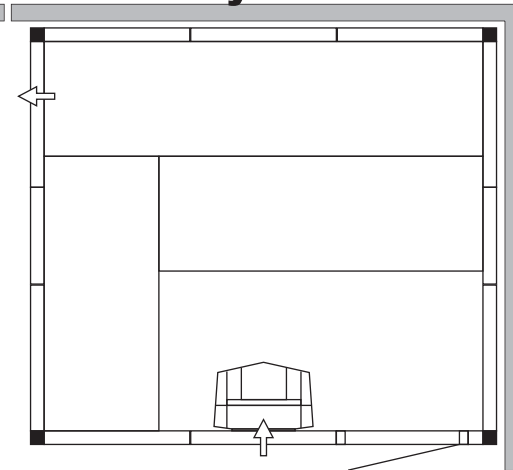
Layout 2



Layout 3

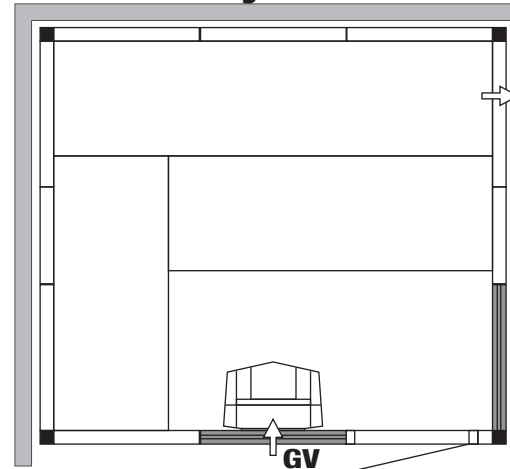


Layout 4

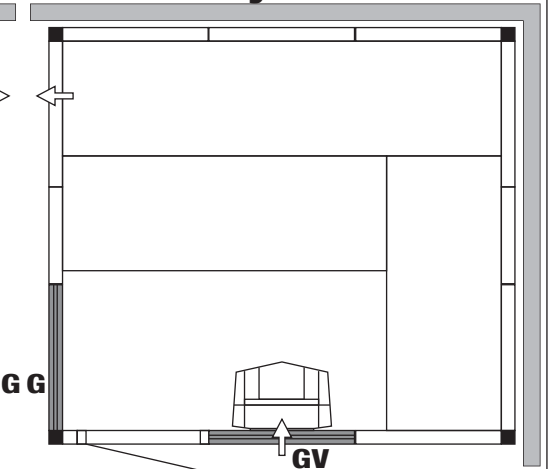


Standard with optional glass section + glass vent.

Layout 5

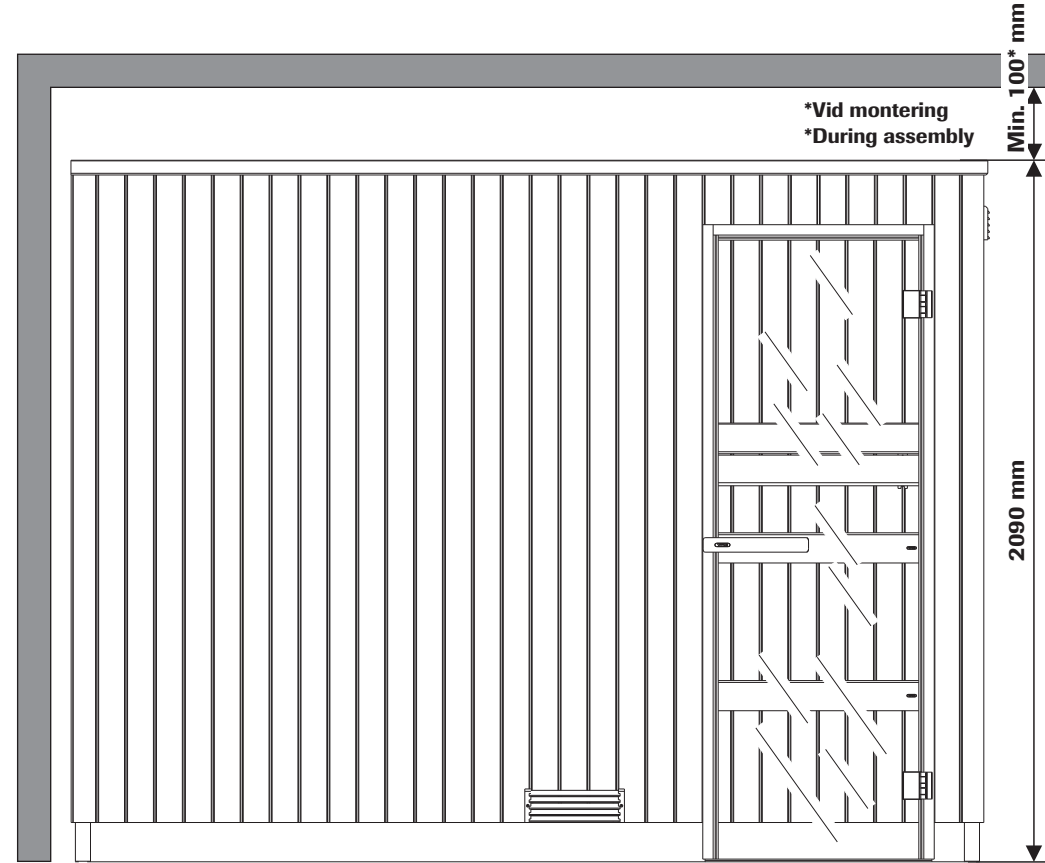
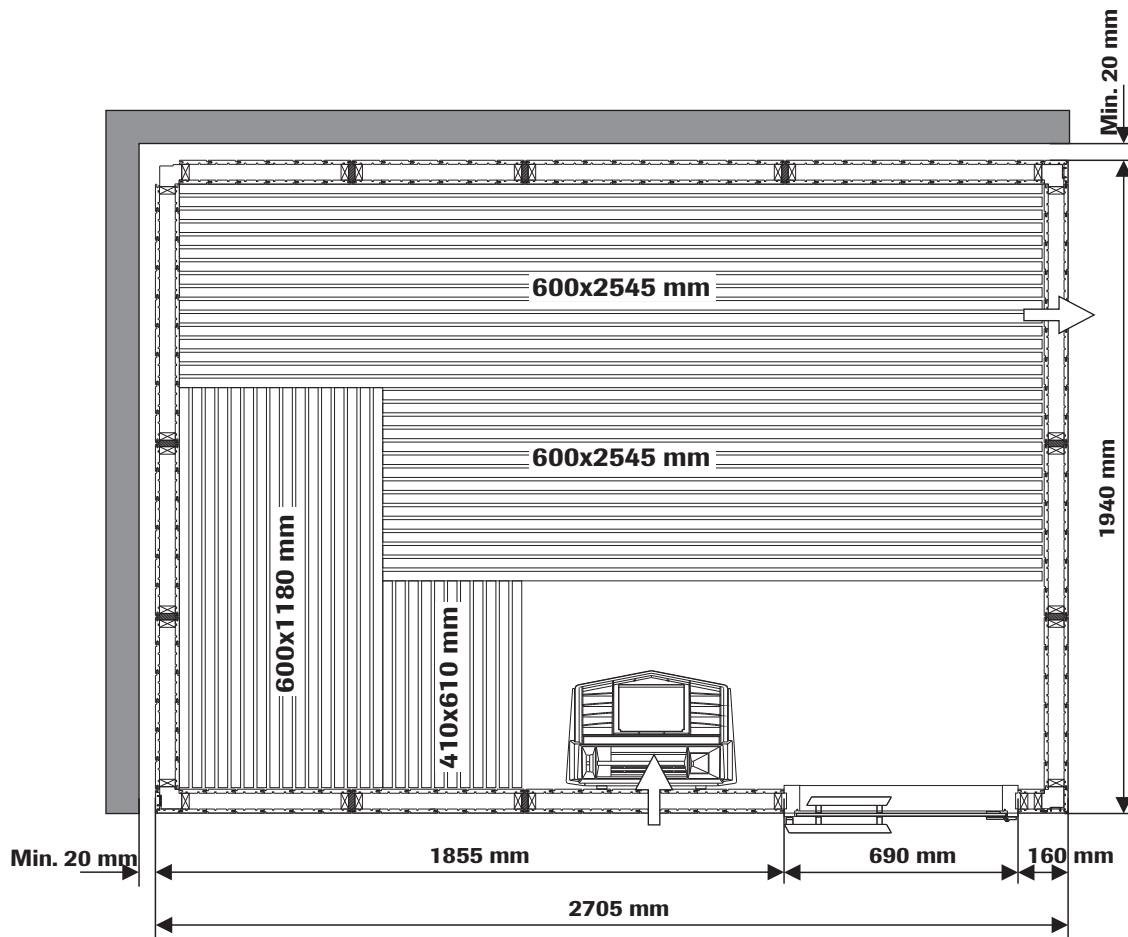


Layout 6



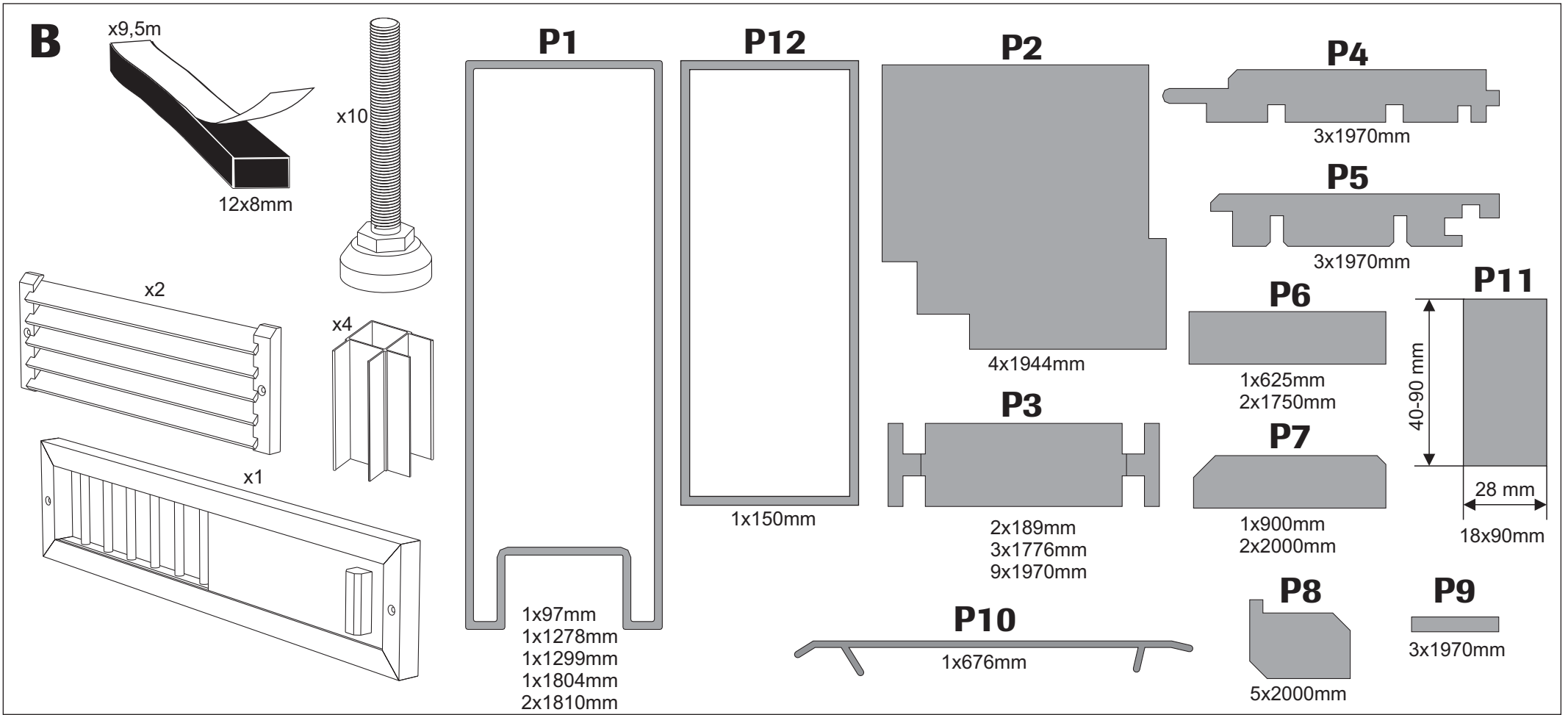
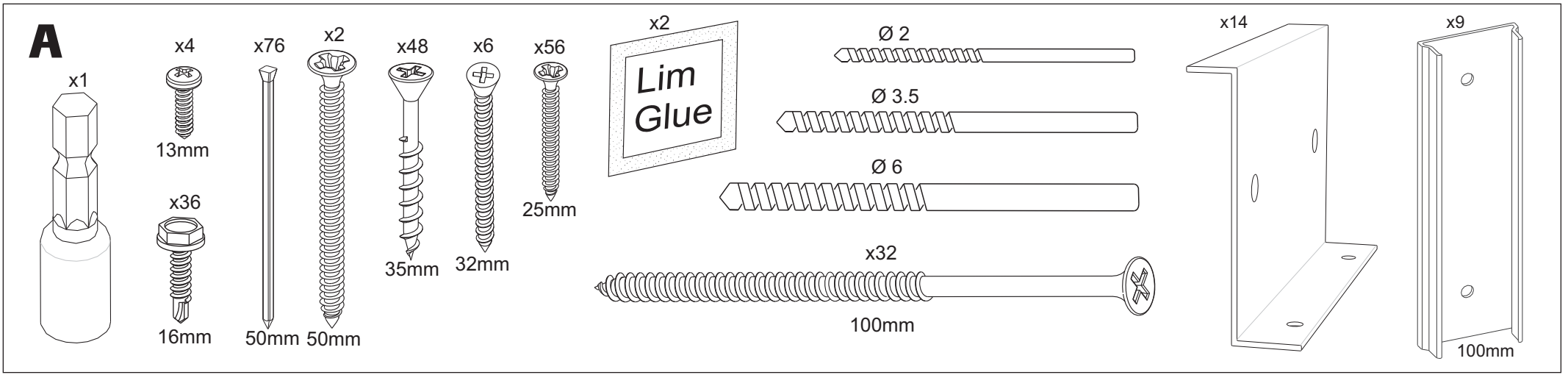
TYLÖ SAUNA E2719

1111

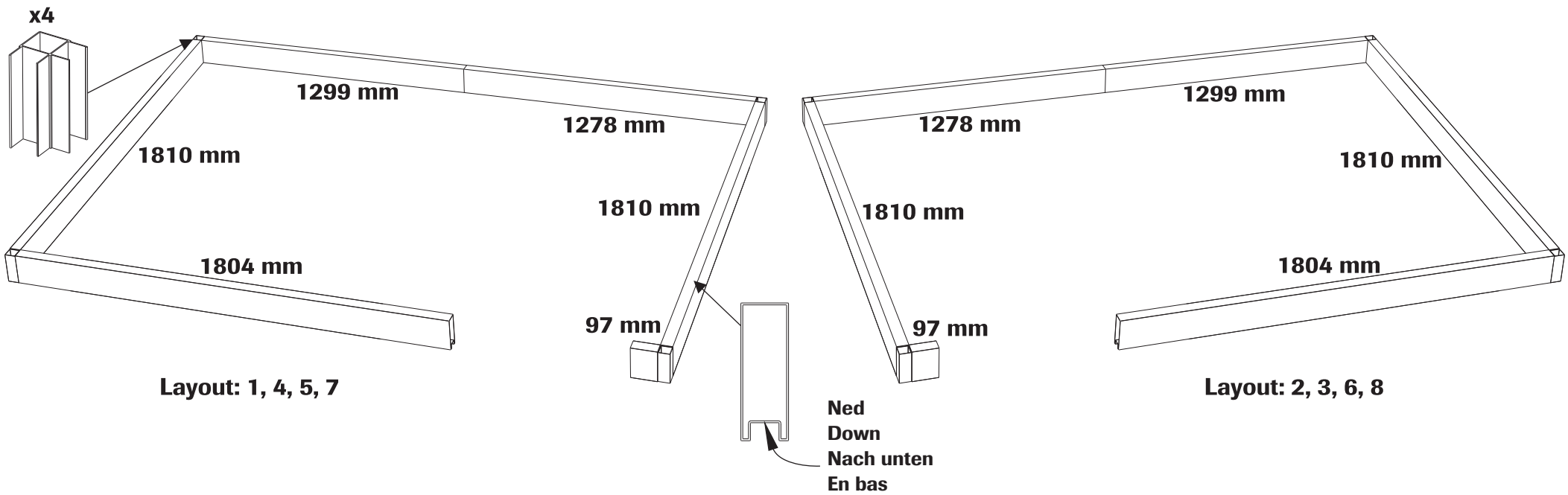
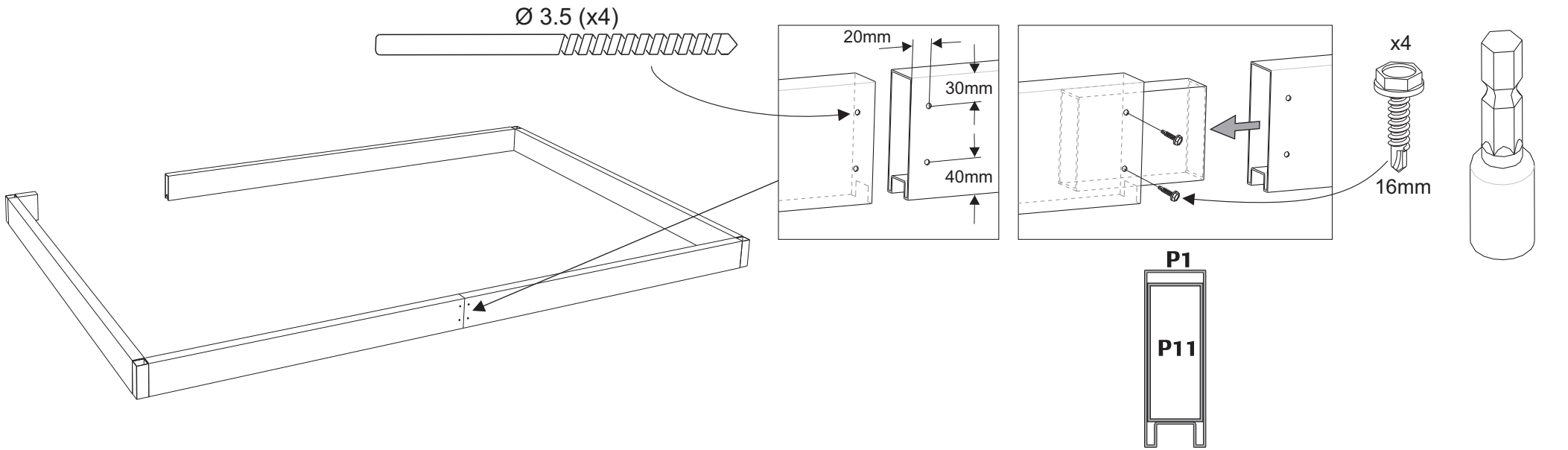


Art.nr 2900 4380

TYLÖ[®]
for the senses

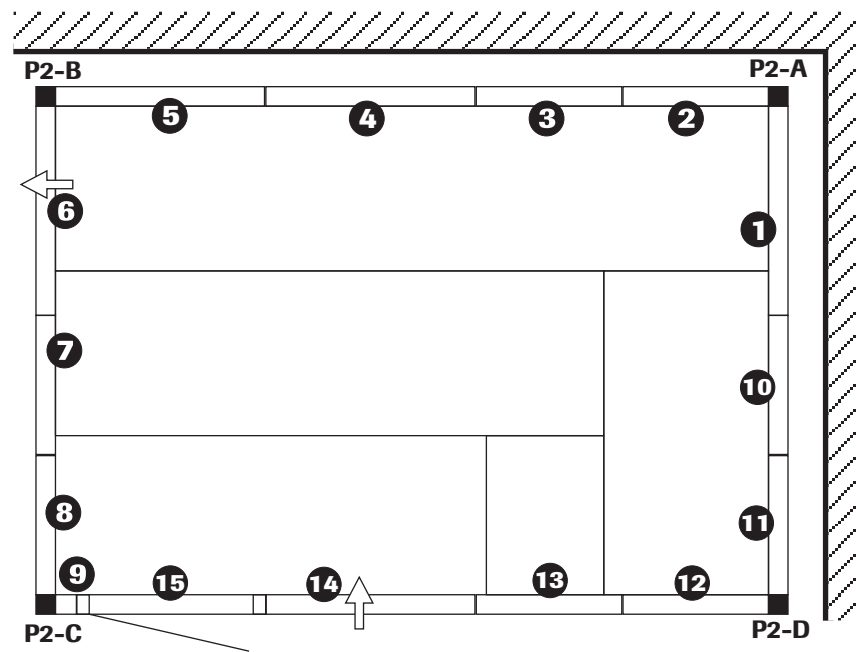
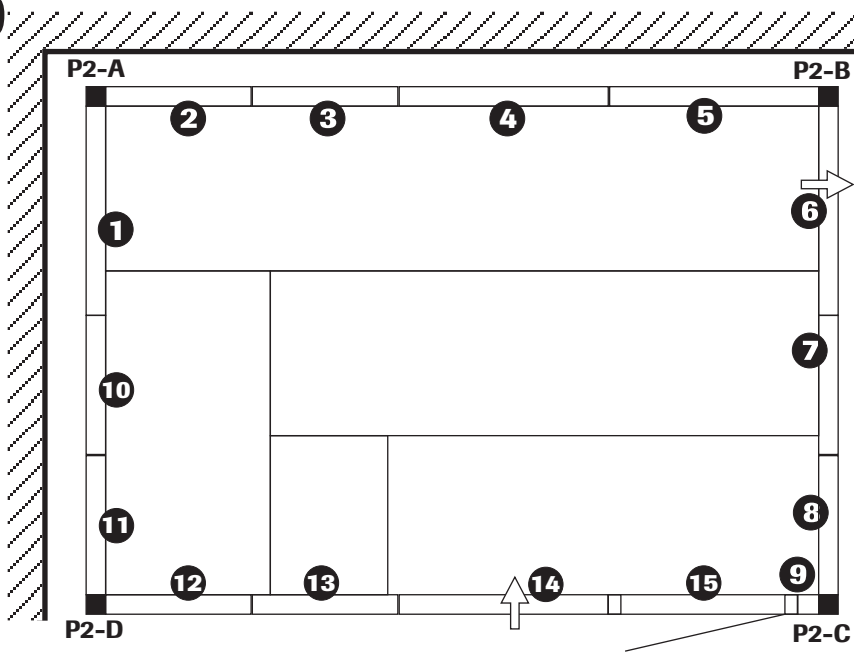


C



D

Monteringsordning - väggar
 Assembly order - walls



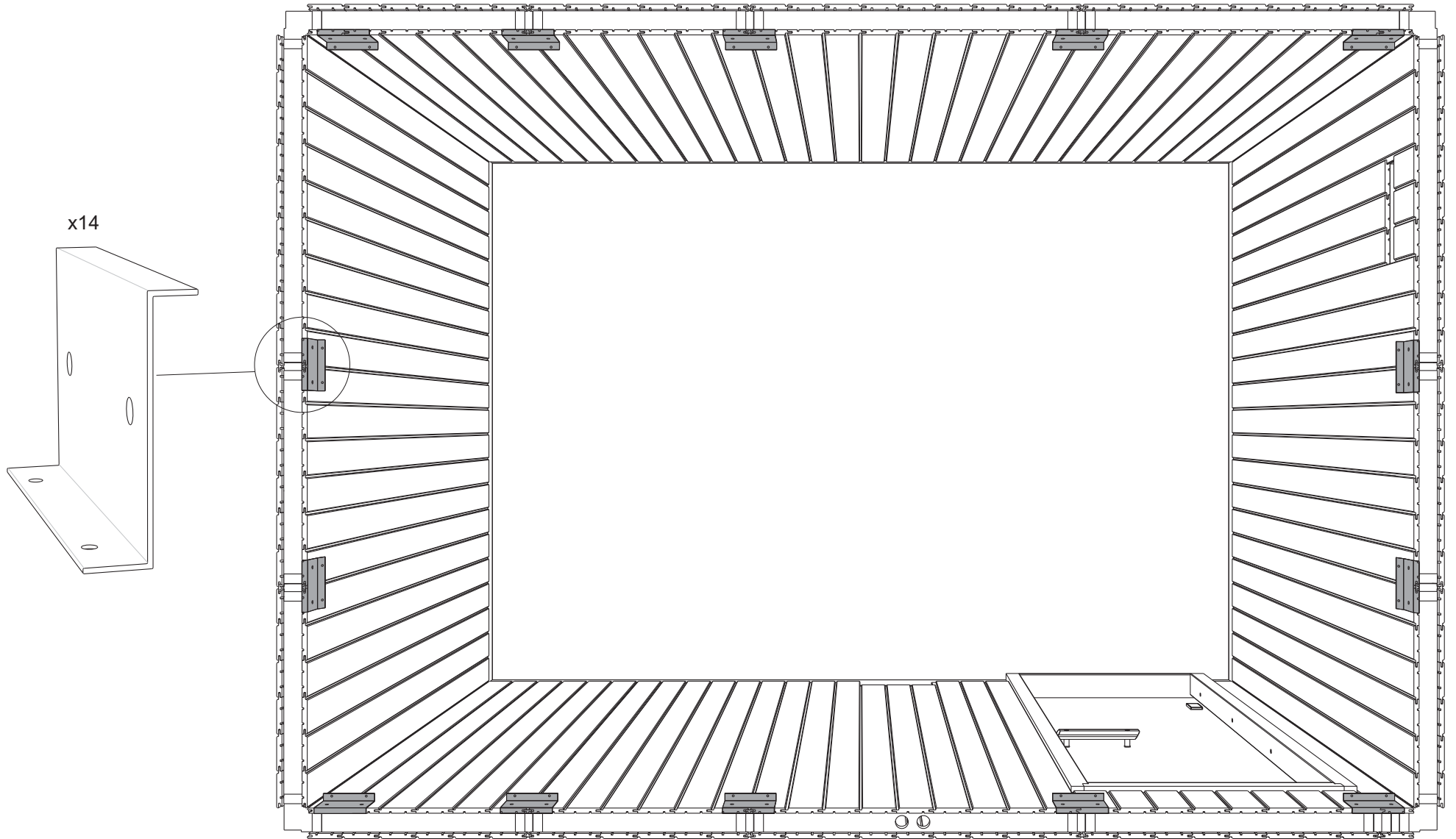
Väggyttermått
 Wall outer dimensions

1 4 5 6 14	762 mm
2 3 7 8 10 11 12 13	506 mm
9	77 mm
15 (Dörr/door)	690 mm

E

Placering av skarvprofil.
Montering - se monteringsanvisning av rummet.

Location of the joint profile
Assembly - see installation instructions of the room.

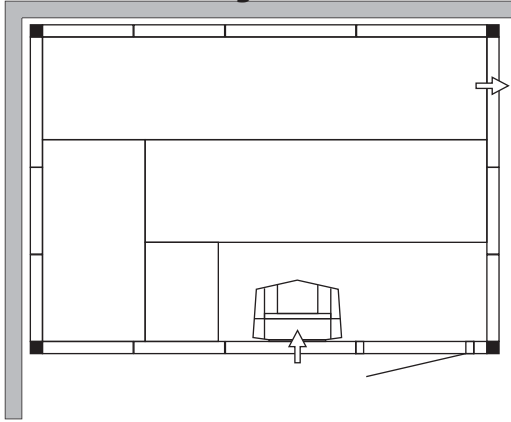


F Layouts 2719

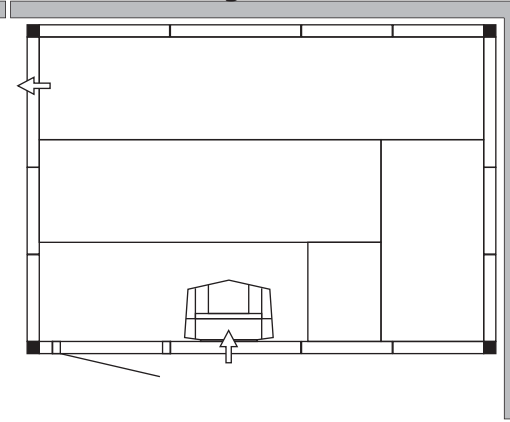
G = Glass
GV = Glass ventilation

Standard

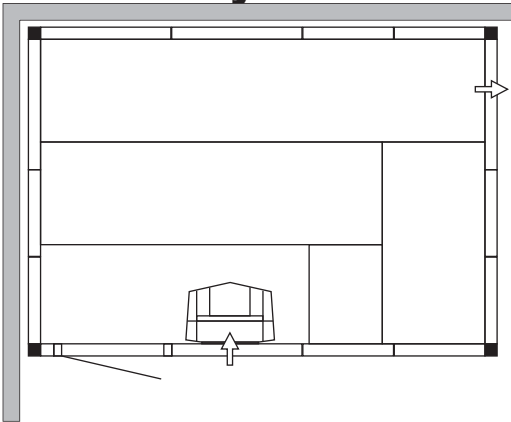
Layout 1



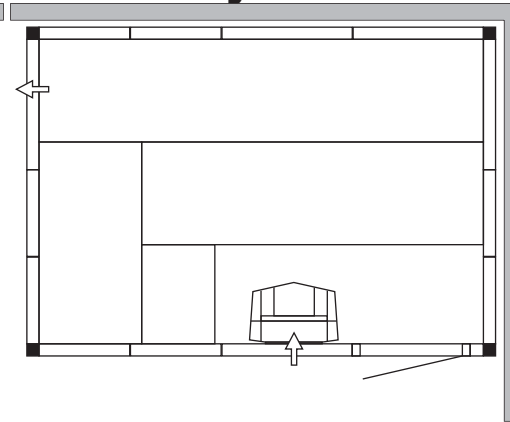
Layout 2



Layout 3

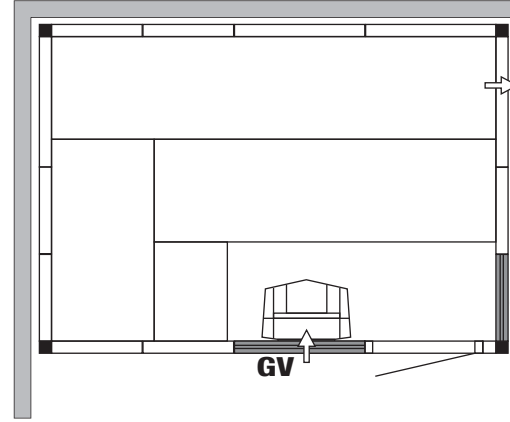


Layout 4



Standard with optional glass section + glass vent.

Layout 5



Layout 6

