



TYLÖ[®]
for the senses

**STEAM
SHOWER**

2013

**STEAM
SHOWER**

2013

Table of contents

Steam bath with shower	8
Steam column	10
Impression i130 & i170	12
Impression i110/c	14
Impression Twin	16
Tilette Centre	20
Steam bath	22
Steam generators Steam VA, Steam VB and Steam Pro	24
Control panel h1	26
Control panels EC 50, CC 300 and External switch	27
Steam room Elysée	28
Steam room Excellent	30
Hinged doors Steam door 50 G, Steam door 60 G, Steam door 101 G	32
Accessories	33
Showers	34
Corner shower i80 & i90	36
Ceiling shower Free Fallin' and Domes	37
Accessories	38

Open your senses. Let the steam embrace you.

Step into the warmth, feel the steam caress your skin. Your muscles relax, all tension is released. Your thoughts clear, your dreams become reality. A liberating sensation.


Our ambition is to create the ultimate pleasure that opens the door to your inner being. This is our promise to you. Our exclusive steam rooms have made Tylö a concept among those who enjoy life, all over the world. The steam bath has a constant humidity of 100% that touches all your senses and is a delightful bathing form.

Our Scandinavian designers challenge themselves to design a setting that is an aesthetic statement. Every little detail is infused with consideration and love. Open the door and experience, come out feeling relaxed and refreshed – like new.









Time for yourself, a personal oasis.

Our exclusive steam showers will not leave you unmoved. In the same floor space as a normal shower cubicle, there is room for a whole spa, offering a full range of wonderful bathing functions including a steam bath, cascade, jet nozzles for water massage, tropical cloudburst and conventional shower. A world of water and steam that invigorates all your senses.

With its simple, clean lines, the design is a joy to behold. Tylo has many different models that will suit your particular bathroom. We also have flexible and elegant corner showers of the very finest quality. You can design the shower however you want, and easily fold away the doors when they are not in use.



View all of our products at
www.tylo.com

Steam bath with shower

Welcome to the world of ultimate relaxation. Steam baths offer a delightfully rejuvenating experience.

Steam baths are our modern-day successor to the Romans' magnificent bathing palace. Recline in comfort and let the steam envelope you in your own home spa. There couldn't be a more pleasant way to revitalise your body and mind. With a constant humidity level of 100%, the walls and ceiling must be covered with a waterproof material, such as plastic, glass or tiles.





Fragrance

Our delightful fragrant essences add an extra dimension to your bath. A drop or two in the steam nozzle guarantee an invigorating experience. The oils spread a wonderful fragrance of eucalyptus, peppermint, pine, lavender, cinnamon or citrus.

* Not applicable for tx202/g



Lighting

Lighting is important at Tylö. Our decorative inset downlights spread a soft glow over the steam bath. The warm, muted light embraces you and creates a suggestive ambience.



Steam shower column

The steam shower column has both a fixed shower head and a small, versatile handheld shower* in a sleek design. The handle is comfortable to hold and gives a soft, pleasant experience.



Steam column tx202

Tylö's steam bath systems (steam column with shower) are now available simply as steam columns with no shower (t202/g). A perfect solution for people who already have a shower and only want to use the steam room for wonderful, soothing steam baths.

Specially designed to convert an existing niche into a steam room, this product range comprises a steam column, glass sections and steam door 60 G.



Steam column tx202/g

Tylö's steam column tx202/g is a truly flexible solution developed specially to convert a niche into a steam room. The actual steam column can easily be combined with suitable glass sections and a steam door to achieve a fully tailored solution. The steam column is easily operated with the control panel from the h-series on the outside and is fitted on the inside with a steam head and handheld shower. The steam column is also available as a pure steam column with no shower, called t202/g.

Steam column tx202/g
Art. no. 8900 8160

Glass section 398/202
Size: 386 x 2020 mm
Art. no. 9091 4040

Glass section 778/202
Size: 766 x 2020 mm
Art. no. 9091 4060

Steam column t202/g
Art. no. 8900 8170

Glass section 588/202
Size: 576 x 2020 mm
Art. no. 9091 4050

Steam door 60 G 202
Size: 780 x 1870 mm
Art. no. 9091 4000



Find out more at
www.tylo.com



Steam column tx202/w

Art. no. 8900 8140

The new tx202/w steam column is a freestanding steam column with both steam and shower as standard. The steam column makes it possible to convert a niche into a complete steam room with glass sections and steam doors. The column includes both a handheld and a main sprinkler head, as well as a steam head. The main shower head can be attached vertically, from 2180 mm to 1960 mm, as well as swivel to the right and left. The minimum installation size is 2140 mm. The column is also equipped with shelves for storage as well as Tylö's new h1 control panel, which operates the steam column via touch-control.



Impression i130 & i170

Tylö's i170 and i130 steam showers offer a spa experience with a steam bath and shower. The steam showers are perfect in the modern bathroom, and embody a distinct Scandinavian design. Both steam showers are flexible solutions that can easily be adapted according to the existing layout. They are well suited to small or medium-sized rooms and for anyone who wants to enjoy shared moments of bathing bliss.

Great freedom in a small space

Tylö Impression is based on a unique system. The impression is a shared shower and steam bath that can be varied by using different wall configurations and exterior finishes in a shared space for showers and steam baths made of aluminium, glass and high-gloss acrylic. Impression is available in a slightly larger 1725 x 925 mm version with twin benches and a smaller 1325 x 925 mm version with a single bench. Both are set up for easy connection to a water supply. The integral steam generator (max 4.5 kW) is convertible between 230 V~ and 400 V2 N~ (two phase with neutral).



Find out more at
www.tylo.com



Impression i130, white



Impression i130, black



Impression i170, white



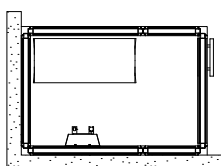
Impression i170, black

steam & shower

A flexible system

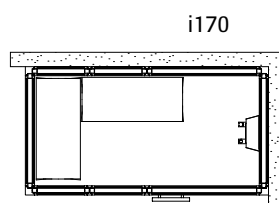
Reversible wall installation and choice of configuration options to suit your bathroom layout. The steam generator is operated using the touch control panel on the steam shower column.

The lacquered aluminium profiles conform to a registered design and ensure maximum versatility within the unique Tylö system with no screws or visible fittings. The sleek design is pleasing to the eye and practical to clean.



i130

Please see page 18
for more configuration
suggestions.



i170

The steam head has
a holder for fragrant
essences to add yet
another dimension to your
bathing pleasure.





Impression i1 10/c

Within a minimum space of less than 1.3 m², Tylö has created a home spa solution for corner installation that contains both a relaxing steam bath and a conventional shower. A revolution in home spa design, it is compact enough to fit in even a small bathroom.

The steam bath is a gentler experience. The atmospheric humidity inside is at 100%, yet the temperature is only 40-45°C, inviting you to relax for a little longer.

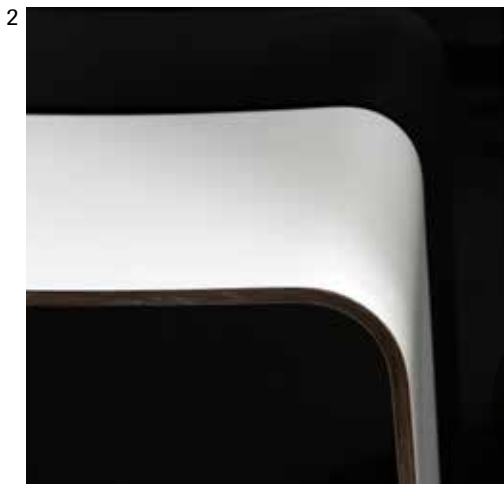


Tylö's steam bath with shower, in the Impression series, is now available with a floor tray. The structure is made entirely of cast marble, an extremely stable material with a surface finish that ensures good water run-off.

Tylö's floor tray, for the Impression series, has adjustable feet and an integral water trap. The tray entails an additional height of 100 mm, producing a total external height of 2200 mm for an Impression mounted on a tray. The tray is also supplied with a cup for waste water that is mounted on the steam head. The cup protects the tray and guarantees its function.

Style-conscious choice

1. Natural essence oils.
2. Steam room bench, white i44.



Tylö steam shower i110/c is built around the same unique profile system as other steam showers in Tylö's Impression range, and is made of aluminium, glass and high-gloss acrylic.

Designer's choice



Find out more at
www.tylo.com



Impression Twin



Find out more at
www.tylo.com

Tylö has combined a sauna and steam shower to create an exciting new wellness product for greater relaxation. The design and materials exude a palpable feeling of luxury. A shower, extra bench and a number of accessories add greater variation to the sauna room.

A hot tip: the perfect way to relax after a home gym workout is to combine a sauna and steam shower. Impression Twin really gives you the best of both worlds.

This is how to order a complete Impression

Step 1

Measure your bathroom



Step 2

Select size & heater

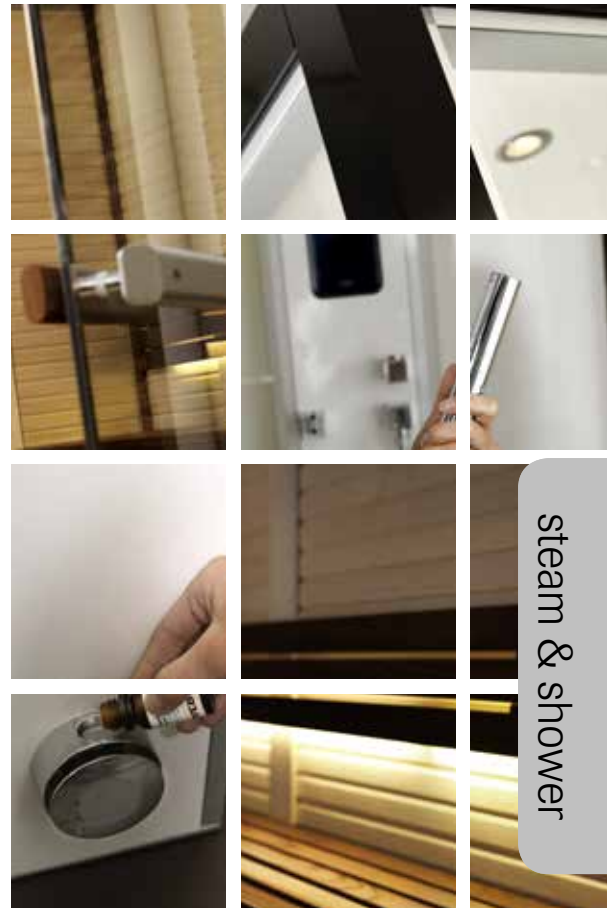


Step 3

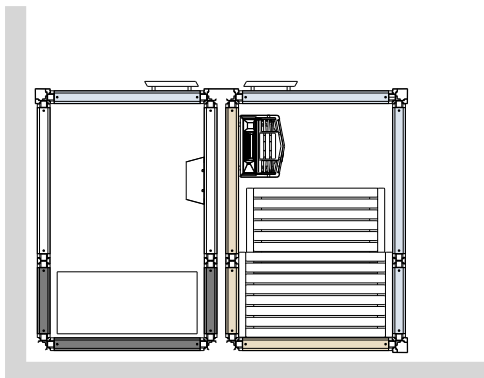
Contact your dealer

Included:

- Insulated wall and ceiling panels
- Doors
- Shower column including mixer tap
- Steam generator
- Sauna section including panels and benches
- Aspen and dark, heat-treated ash fittings
- Shower section lighting
- Light strip hygro/thermo
- Aluminium floor frame
- Corner and ceiling mouldings
- Vents and assembly hardware



steam & shower



Please see the next page for more configuration suggestions

A flexible system

Walls, glass sections and doors can be assembled in a variety of ways to suit your bathroom layout. All interior fittings – except for the sauna heater – can be placed where you wish.

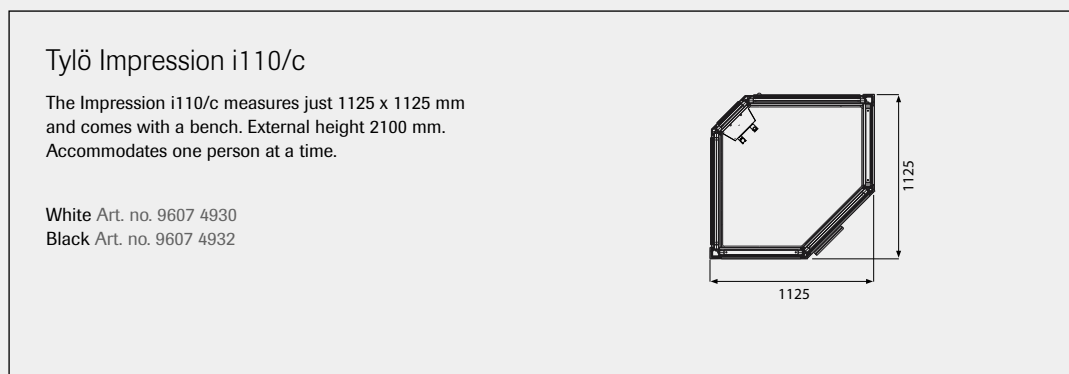
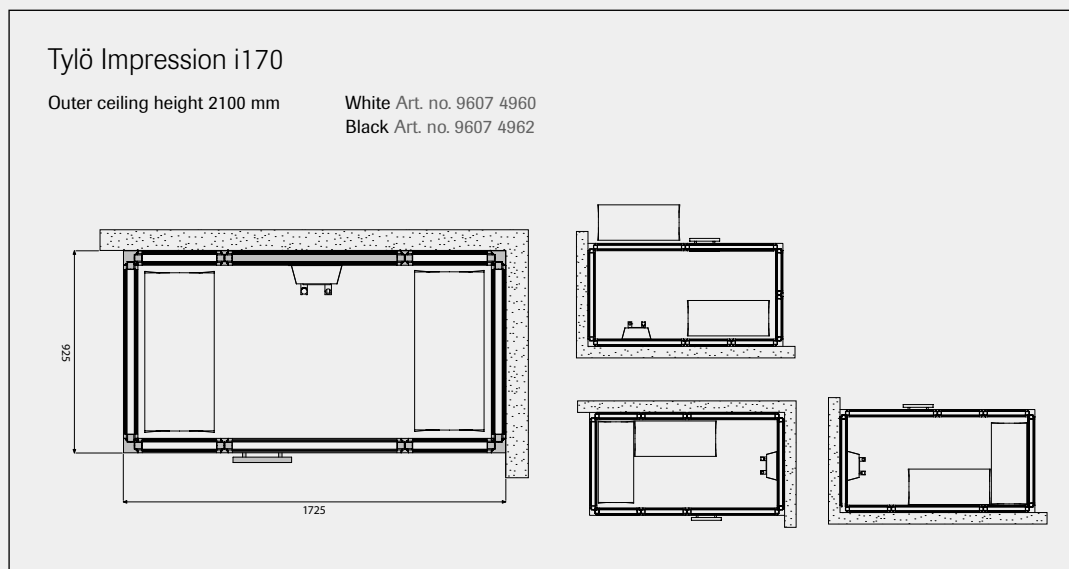
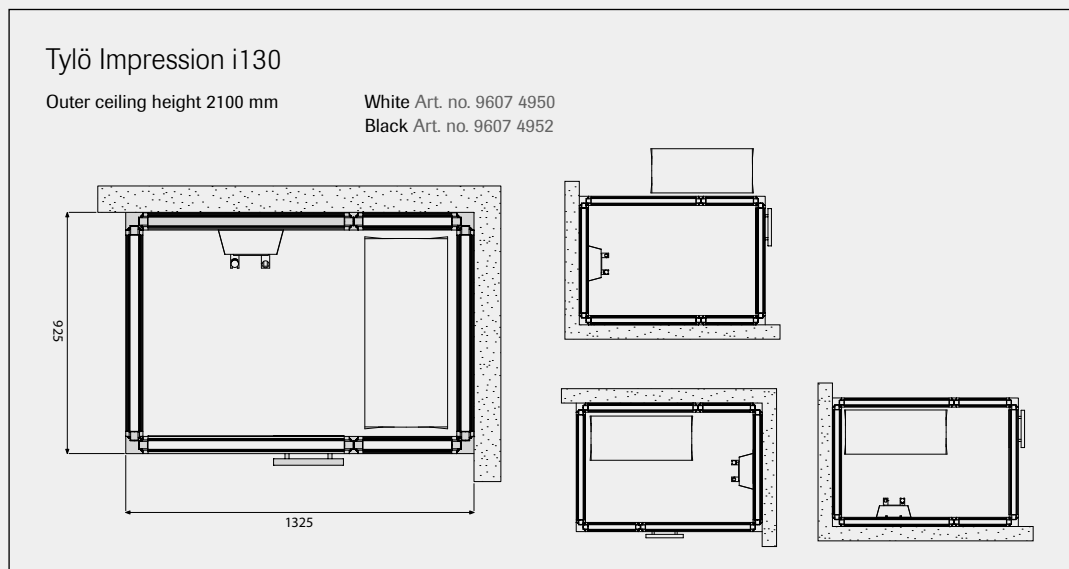
Style-conscious choice

1. Combi 4 **2.** Stainless steel bucket and ladle with wooden handle **3.** Steam room bench, white i44 or i66



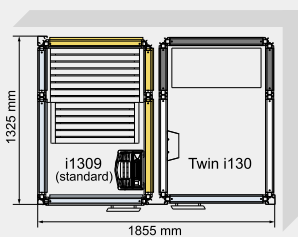
Your freedom of choice is part of our design plans

The walls can be installed reversed, and configured in many different ways to suit the layout of your particular bathroom. You can also place all the interior fittings wherever you wish.

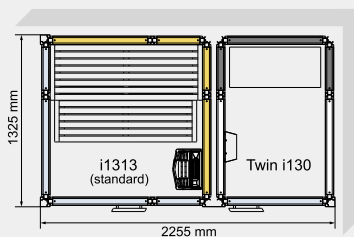


Impression Twin

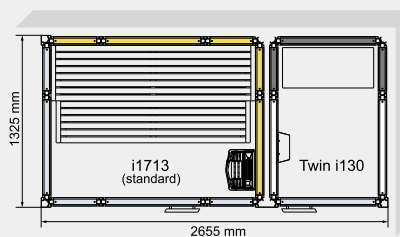
Outer ceiling height 2100 mm
All rooms can be reversed



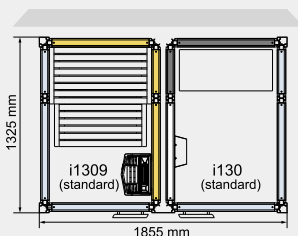
TWIN 130/1309
White Art. no. 9607 4840
Black Art. no. 9607 4841



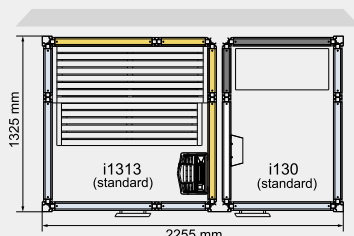
TWIN 130/1313
White Art. no. 9607 4842
Black Art. no. 9607 4843



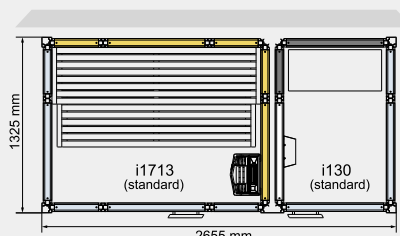
TWIN 130/1713
White Art. no. 9607 4844
Black Art. no. 9607 4845



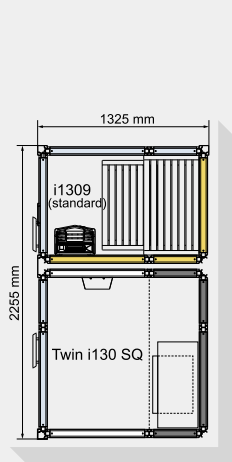
TWIN 130/1309/W
White Art. no. 9607 4852
Black Art. no. 9607 4853



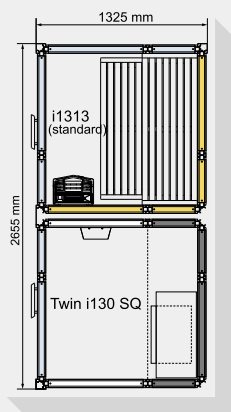
TWIN 130/1313/W
White Art. no. 9607 4854
Black Art. no. 9607 4855



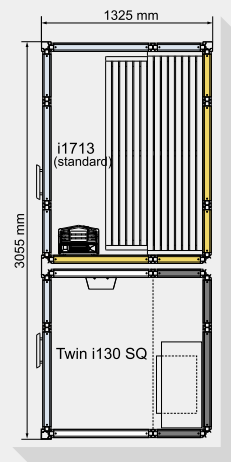
TWIN 130/1713/W
White Art. no. 9607 4856
Black Art. no. 9607 4857



TWIN 130 SQ /1309
White Art. no. 9607 4846
Black Art. no. 9607 4847



TWIN 130 SQ /1313
White Art. no. 9607 4848
Black Art. no. 9607 4849



TWIN 130 SQ /1713
White Art. no. 9607 4850
Black Art. no. 9607 4851

Tylette Centre

Find out more at
www.tylo.com



Tylette Centre takes up no more floor space than an ordinary corner bathtub, but offers much more in the way of comfort, convenience and flexibility. This hydro-steam cabinet turns bathing from a practical necessity into a highly pleasurable way to relax, recharge your batteries and get ready to face the challenges of a new day.

It brings more choice into your bathroom – a self-contained world of water and steam where you can sit in comfort, unwind in clouds of soothing steam and enjoy the invigorating effect of all sorts of water therapy. There are two fully integrated shower seats to allow you to share these moments of bathing bliss.



1. Tylette Centre
White walls. Size: 1420 x 1420 mm, height 1980 mm.

Art. no. 9607 3302



2. Floor decking
Exclusive optional floor decking made entirely of teak and dimensioned for Tylette Centre.

Art. no. 9005 9020



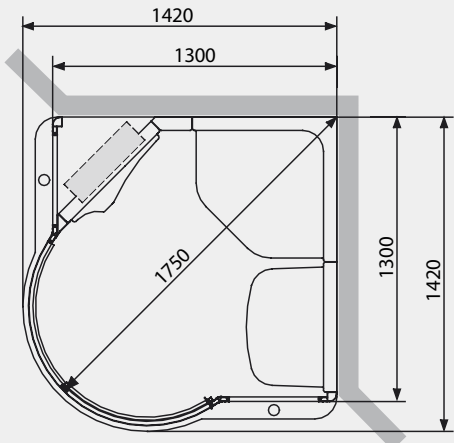
The design

The elegantly curved, tempered glass front has a space-saving sliding door that can be fitted to open left or right and gives a full 60 cm access width. The door can be hung on the right or left-hand side. Two comfortable seats, one placed in the corner, are integrated into the wall sections, and all the connections for water and electricity, together with the steam generator are hidden behind the large mirrored wall.



Lighting

The cabinet can be angled, but not reversed, and comes complete with decorative halogen lighting inside and out.



Included:

- Integral steam generator
- Complete shower set
- Thermostatically controlled mixer tap
- Space-saving sliding door
- Recessed LED lighting
- Easy-to-operate control panel
- Holder for natural essences
- 5-year material guarantee

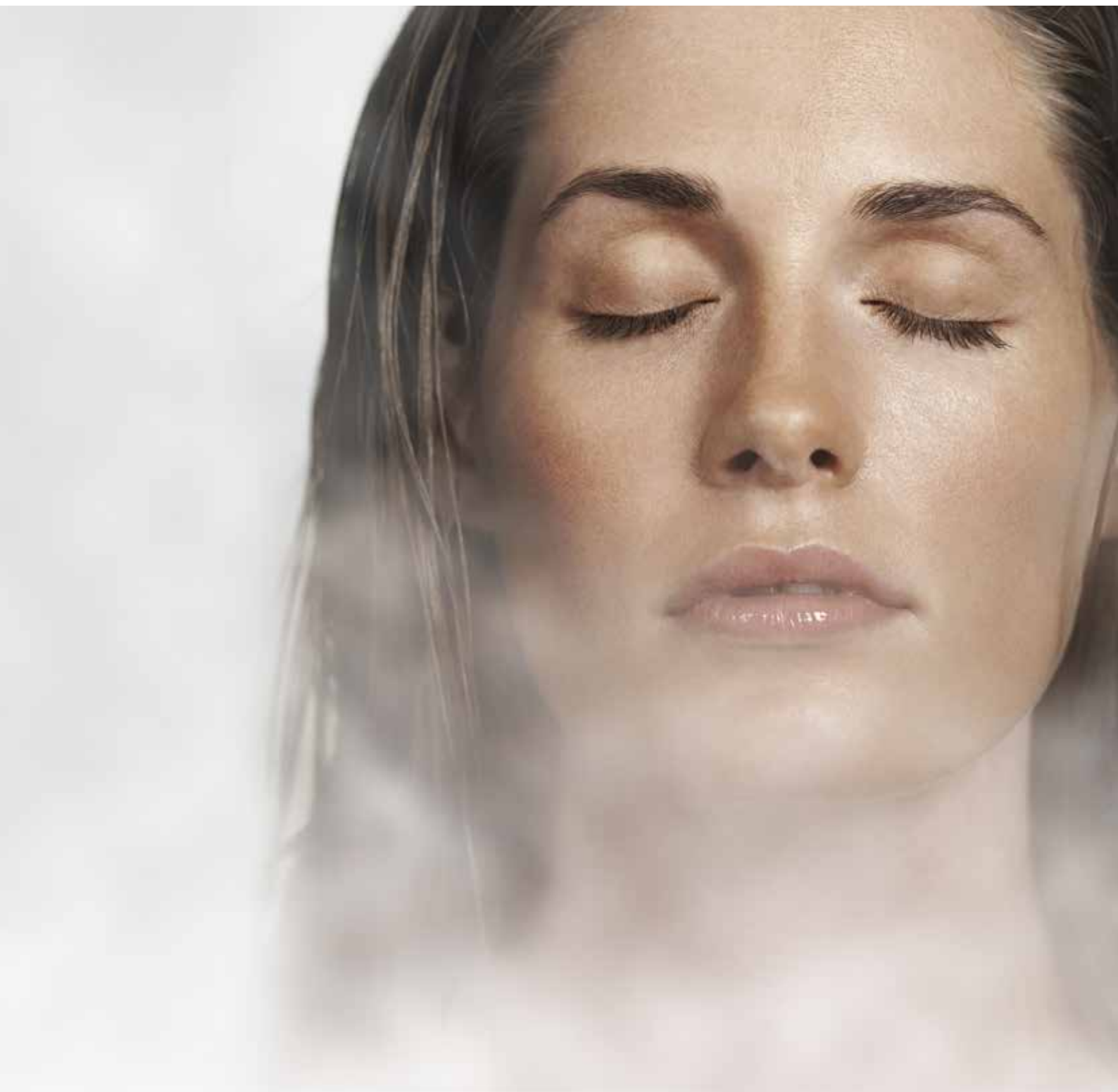
Integral steam generator

Tylette Centre is designed for corner installation. Connect to electricity (min. 10 A), water supply and drainage. The steam generator (max. 4.5 kW) is convertible between 230 V~ and 400 V2N~ (two phase with neutral). The minimum water pressure is 2.5 bar and run-off capacity is 50 litres/minute.

Steam bath

Close your eyes and let the steam embrace you. Steam bath is a delightful form of bathing that reaches pleasantly into your soul. The mild warmth and the intense atmospheric humidity help your muscles to relax – and your thoughts to wander.

Our exclusive steam baths are available in many sleek designs to suit your bathroom. Tylö offers complete solutions including steam generators, control panels and doors, as well as wall and seat sections.



A soothing experience

Let the steam envelop you and feel how the water particles cleanse your skin, leaving it smooth and soft. Most of us agree that a steam room and steam sauna offer the ultimate in relaxation, promoting a feeling of tranquillity and inner harmony. Compared with the traditional sauna, you enjoy a gentler heat, higher humidity and greater sense of seclusion.

After the steam bath comes a refreshing shower. Every elegant detail of the shower has been designed to delight the eye.

Tylö steam baths

- Water run-off – the benches have been carefully designed to allow water to run off automatically.
- Straightforward installation – set up for easy connection to the regular ventilation system.
- Perfect seal – durable silicon seal between all sections.
- Stainless steel door edge guard. Drainage strip and air vent at the base of the door.
- The five-year guarantee is proof of the durability and overall quality of the materials used.





Tylö steam generators



Find out more at
www.tylo.com

Leave the daily challenges behind you and enjoy the perfect end to a day. Give yourself some me-time in the steam.

Tylö has a strong tradition of providing steam generators for public and private use. Our latest series is fitted with a state-of-the-art control unit to ensure precise operation. Control the steam, lights, timer and other features at the simple touch of a button. Add fragrances and relax. Indulge yourself and all your senses.



Steam VA

A powerful, fully automatic steam generator with a large water tank, making it ideal for public facilities. Requires connection to electricity and water supplies. Convertible 1-phase/3-phase. IP rating: IP 45. Add your choice of control panel.

Steam 6 VA
Art. no. 6620 2020

Steam 12 VA
Art. no. 6620 4020

Steam 24 VA
Art. no. 6620 6020

Steam 9 VA-K
Art. no. 6620 3021

Steam 18 VA
Art. no. 6620 5020



Steam Pro

Tylö's steam generator PRO is a reliable and service-friendly steam generator that gives you everything you could want from a steam generator for public facilities. The steam generator is extremely easy to service. It also measures the water quality and, in the event of low water quality, its integral stoppage protection empties the tank, rinses it clean and refills it – with minimal interruption in steam production. For the sake of safety, the steam generator is also equipped with features such as an overpressure valve and temperature protection. Convertible 1-phase/3-phase. IP rating: IP 21. The H1 control panel is always included with the Steam PRO and you can add another if you wish.

9 PRO
Art. no. 6620 7000

12 PRO
Art. no. 6620 7010



Steam VB

A compact steam generator with the same high quality materials, functions and features as the VA models, but with a smaller water tank to ensure rapid heating-up times in small and medium-sized private steam rooms. IP rating: IP 23. Add your choice of control panel.

Steam 2/4/6 VB
Art. no. 6620 1830

Model	Output (kW)	The steam room's min./max. volume (m ³)				Steam production (kg/h)	Size in mm (LxBxH)	Suitable control panel
		Light wall made of glass, plastic, Elysee Excellent room, etc.		Heavy wall made of tiles, concrete, stone, etc.				
		with ventilation	with ventilation	with ventilation	with ventilation			
PRO 9	9	6 – 16	13 – 24	4 – 10	7 – 16	12	470 x 600 x 1160	h1 PRO (included)
PRO 12	12	14 – 22	22 – 30	8 – 15	14 – 20	16	470 x 600 x 1160	
2/4/6 VB*	2.2 4.5 6.6	– max. 4 3 – 8	max. 2.5 max. 5.5 4 – 15	– max. 2.5 2 – 5	max. 1.5 max. 3.3 2.5 – 8	3 5.5 8	445 x 130 x 415	CC50, CC300 and h1
6 VA	6	3 – 8	4 – 15	2 – 5	2.5 – 8	8	570 x 224 x 485	
9 VA-K	9	6 – 16	13 – 24	4 – 10	7 – 16	12	570 x 224 x 485	
12 VA	12	14 – 22	22 – 30	8 – 15	14 – 20	16	570 x 224 x 485	
18 VA	18	20 – 30	28 – 40	13 – 20	18 – 30	24	615 x 445 x 485	
24 VA	24	28 – 40	38 – 50	18 – 30	28 – 40	32	615 x 445 x 485	
3x9 VA**	27	38 – 45	46 – 60	28 – 40	38 – 52	36	570 x 224 x 485	
3x12 VA**	36	43 – 60	58 – 70	38 – 50	48 – 60	48	570 x 224 x 485	

* 2.2/4.5/6.6 kW convertible for single, two or three phase connection.

** Only one control panel is required for connection.

**Designer's
choice**



Control panel h1

Electronic control panel, equipped with touch-control that not only displays the temperature and running time, but can also be programmed to start up to 24 hours in advance and run for between 0 and 23 hours.

The control panel allows you to regulate lighting in the sauna, set the maximum temperature, switch between Fahrenheit and Celsius, use a 12-hour or 24-hour format, set different languages, and more advanced settings and test options. Tylö h1 control panel can replace Tylö's CC10 and CC50 models. Size: 140 x 80 mm, depth 19 mm.

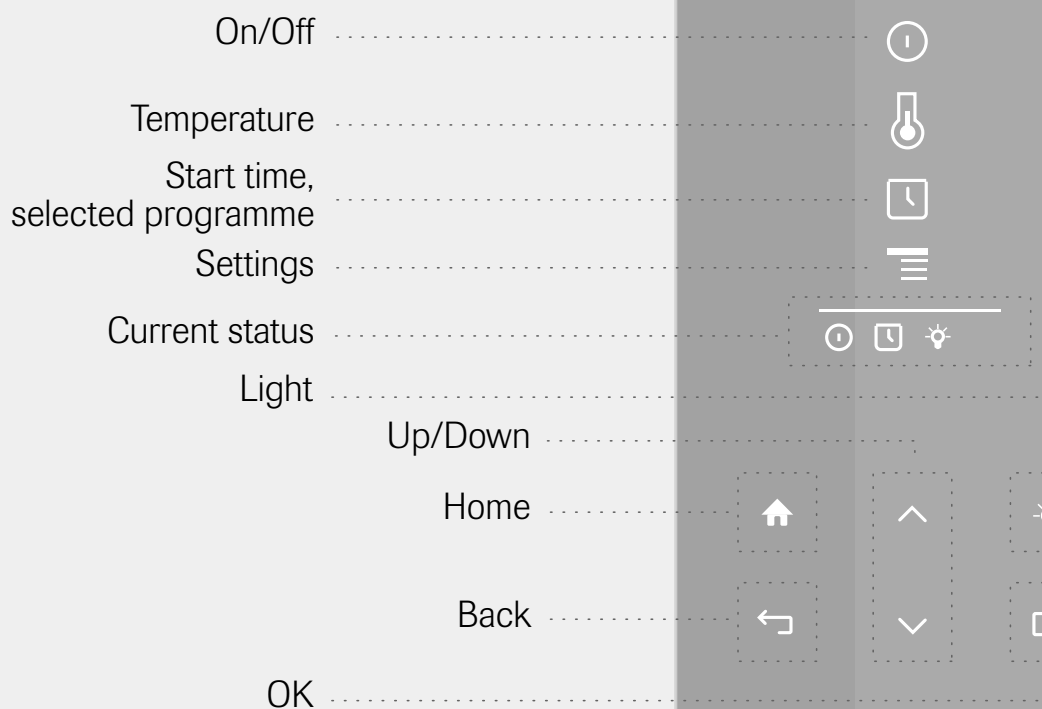
Art. no. 7200 1020



Find out more at
www.tylo.com

Functions

With Tylö's h1 control panel, adjusting your sauna or steam bath can be performed simply and attractively.





EC 50

Tylö's EC50 control panel makes it simple and economical to have complete control of your sauna and steam bath. It has an easy-to-read display for convenient control of the start-up time, temperature and lighting. The panel incorporates a child-proof code lock to prevent accidental operation.

Compatible with the following heaters and steam generators: Sense Plus, SD, SDK, VB and VA. Size: 130 x 190 mm, depth 27 mm. IP 24.

Art. no. 7121 4050



CC 300

The CC 300 is switchable to run between 1 and 24 hours and has a display that indicates temperature, remaining operating time, day and time. In addition the CC 300 is equipped with a switch for lighting, English instructions, a memory, security code and energy-saving stand-by function. The control panel can also be controlled from external units. Size: 130 x 190 mm, depth 27 mm. IP 24.

Art. no. 7111 5150

External switch

On/off switch to control the steam bath from locations other than where the CC control panel is installed.

Art. no. 9090 8040



Elysée

A luxurious steam room that meets the highest criteria for style and function. Tylö Elysée is the perfect complement to public bathing facilities in hotels, spas and corporate hospitality suites – and a dream come true in most homes.

Tylö Elysée comes in many different sizes and styles (see following pages for details).



Find out more at
www.tylo.com



More optional extras

Wall/seat modules can be replaced with a glass section to allow more light at no extra charge.

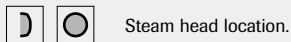
All rooms can also be equipped with a service wall, with shelf compartments and fittings for mixer tap, shower head and riser rail at no extra charge. The service wall can be ordered instead of the corresponding wall/seat module, thereby reducing the number of seats in the steam room.



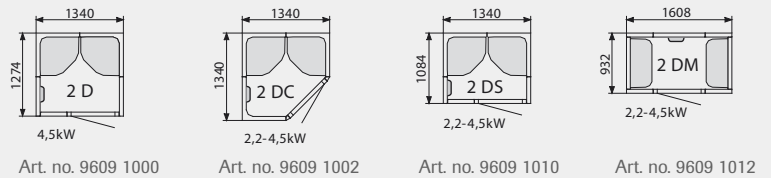
Made of high-tech, vacuum-formed, special-grade white plastic for a sturdy, steamtight construction. Supplied in ready-to-assemble wall and ceiling sections with integral seating and a recessed downlight above each seat. The door is made of tinted, tempered safety glass with a sturdy white lacquered frame and aluminium handles. Transformer for lighting, air outlet vent and all assembly hardware included.

Layouts for Elysée

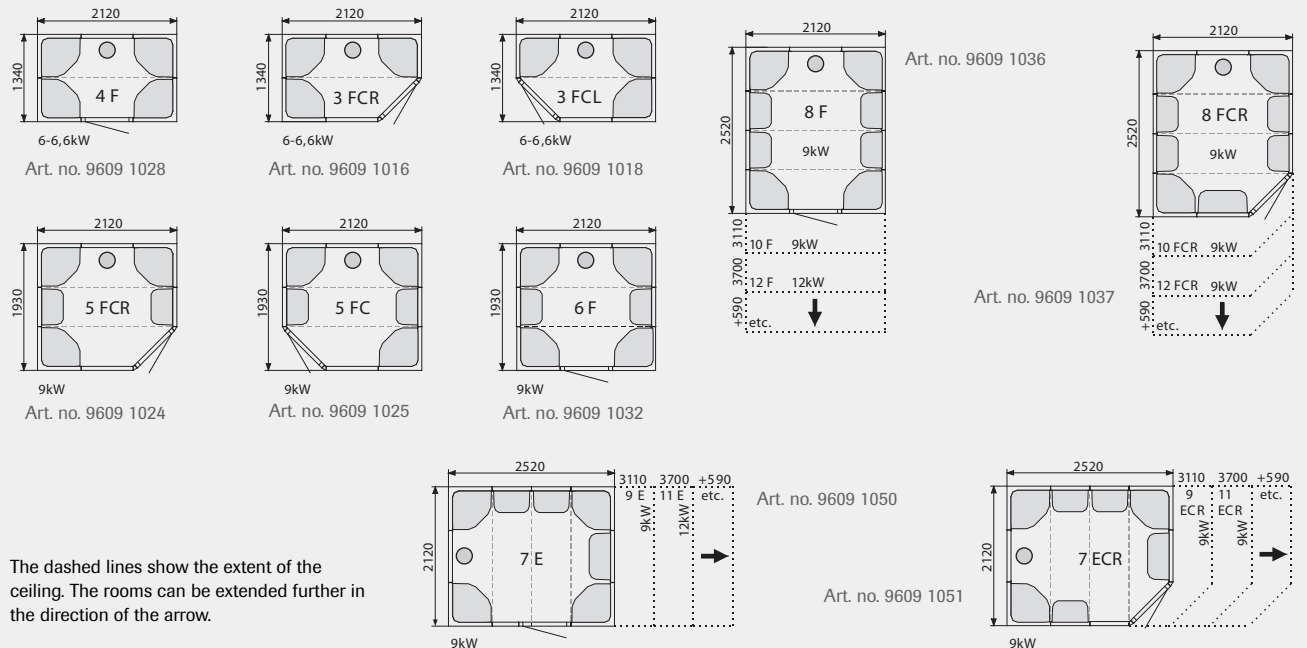
All these steam rooms can also be installed reversed. Just add a suitable steam generator with the required output, a control panel and a floor tray, where required. Outer wall coverings are not included.



Outer ceiling height 2170 mm. These steam rooms have a one-piece dome.



External roof height 2070 mm



The dashed lines show the extent of the ceiling. The rooms can be extended further in the direction of the arrow.



Excellent

Find out more at
www.tylo.com



Steam bath without limits. A luxurious steam room raises the standard in any public bathing facility. Tylo Excellent has been designed primarily for professional use, but smaller models can also be a dream solution at home. Tylo Excellent is available in many sizes, from versions for just four bathers to magnificent steam rooms that cater for more than 50 guests in comfort.

More optional extras

All Excellent rooms can be equipped with the optional service section, with integrated shelf compartments and space for a mixer tap and shower set. The service section can be ordered instead of the corresponding wall section at no extra charge. Wall sections can also be replaced by glass sections.

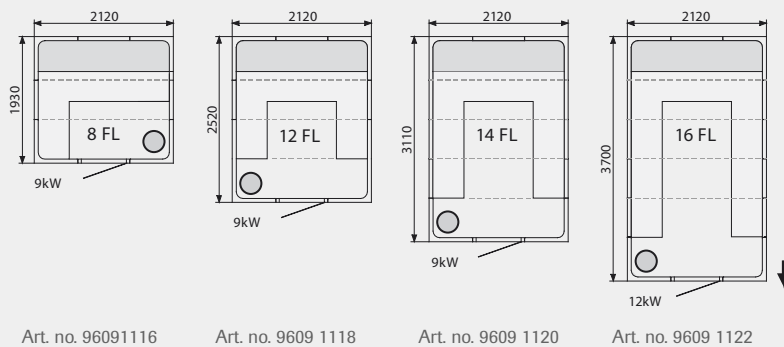


Made of high-tech, vacuum-formed, special-grade white plastic for a sturdy, steamtight construction. The decorative cover panels can be removed for easy cleaning. The door is made of tinted, tempered safety glass with a sturdy white lacquered frame and aluminium handle. Air outlet vent and all assembly hardware included.

steam & shower

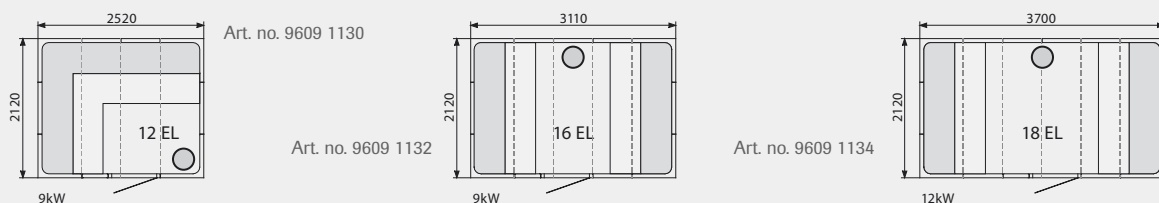
Layouts for Excellent

Item numbers for sizes can be found in the applicable price list. External roof height 2070 mm.



The dashed lines show the roof extension. The rooms can be extended further in the direction of the arrow. For other dimensions and designs, please contact us for a quote. Glass wall sections and service walls are available in widths 398, 588 and 778 mm. They can replace corresponding sections in Excellent steam rooms at no extra charge.

External roof height 2070 mm



Tylö hinged doors

Our hinged doors for showers and steam rooms have an extra robust design to cope with wear and tear and heavy traffic in demanding environments such as public bathing facilities. They are manufactured in 6 mm tempered, safety glass with protective stainless steel trim round the edges and hung in a robust aluminium frame. Door leaves come complete with aluminium handles and hinges, and magnetic strips for a tight seal. There is a drainage strip and air vent at the base of the door. All can be hung to open either left or right.



1. Steam Door 50 G

Compact model in tempered clear glass with concealed hinges.
Frame size: 1855 x 635 x 43 mm.
Width of opening: 550 mm.

Art. no. 9091 1010

2. Steam Door 60 G

Tempered glass door.
Frame size: 1870 x 778 x 60 mm.
Width of opening: 670 mm.

Tinted glass with aluminium frame.
2100 x 778 x 60 mm
Art. no. 9091 2040

Tinted glass with aluminium frame.
1870 x 778 x 60 mm
Art. no. 9091 2000

Tinted glass with white frame.
Art. no. 9091 2003

Clear glass with aluminium frame.
1870 x 778 x 60 mm
Art. no. 9091 2001

Clear glass with white frame.
1870 x 778 x 60 mm
Art. no. 9091 2005

3. Steam Door 101 G

Tempered, tinted safety glass door specially adapted for wheelchair access with an extra wide opening and flat and no treshold. Outer frame dimensions 1870 x 1010 x 60 mm, width of opening 900 mm.

Right-hinge door with tinted glass and aluminium frame.
Art. no. 9091 2025

Left-hinge door with tinted glass and aluminium frame.
Art. no. 9091 2030

Right-hinge door with tinted glass and white frame.
Art. no. 9091 2027

Left-hinge door with tinted glass and white frame.
Art. no. 9091 2032



1. Steam guard
Can be ordered instead of the standard wall/seat section at no extra charge.

Steam guard 778
For 778 mm section in Elysée steam rooms.
Art. no. 9002 9220

Steam guard 588
For 588 mm section.
Art. no. 9002 9230

Steam guard Corner
For corner section.
Art. no. 9002 9240

2. Fragrance dispenser, Tylö Fresh
Fragrance dispenser for saunas, steam baths and wherever else Tylö's aromatic essences may be needed. Operates silently and automatically. Installation distance: max. 2 metres between fragrance dispenser and steam head. Tip! Up to four fragrance dispensers can be connected to a single control panel to vary the fragrance in one or more rooms. Size: 350 x 200 mm.
Art. no. 9090 8005

CC Fresh
Electronic control panel for easy, automatic control of our Tylö Fresh dispenser. Supplied complete with transformer. Can be installed at any distance from the fragrance dispenser. Size: 130 x 190 mm, depth 27 mm.
Art. no. 9090 8009

Tylö Fresh Basic
Same as Tylö Fresh above, but with transformer and simple on/off function to manually control fragrance intensity. Can also be connected to lighting or similar functions. Intended for private use.
Art. no. 9090 8007

3. Shutting device for glass doors
Hydraulic construction closes glass doors gently and smoothly. Can be combined with the automatic door-closer below.
Art. no. 9030 1010

4. Automatic door-closer
Fits on the hinge side of the door and closes from a fully open position. Easy to fit. The hydraulic shutting device is an excellent complement.
Art. no. 9030 1030

5. Fragrance pump
Optional extra for your steam generator. Connects easily to the outlet pipe.
Art. no. 9090 8012

6. Service section Complete
Made of vacuum-formed, special-grade white plastic. With shelf compartments, jet nozzles for water massage, thermostatically controlled mixer tap, shower head and riser rail. Can be used to replace a wall/seat section.
Art. no. 4990 5085

Showers

From practical corner solutions that give you maximum flexibility when planning and positioning your shower, via a complete home spa to the generously equipped Tylette Centre hydro-steam cabinet that takes up no more floor space than a corner bathtub. Although our range of options may be big, you don't need a big bathroom to make use of it. All our products have been specially designed to fit standard-sized bathrooms.





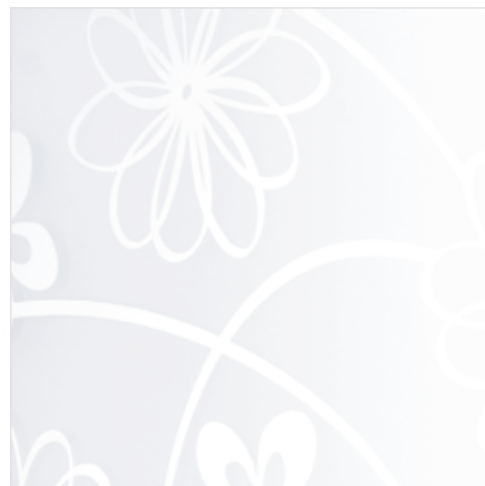
Style-conscious choice

You can always depend on getting top quality when you choose a Tylö product. Our commitment to quality is reflected in everything we do – our designs, product development, choice of materials, manufacturing, service and support.



Doors & walls

Doors, walls and glass sections can be configured in many different ways to blend into your bathroom. We have made use of every single centimetre for you. Choose the fittings and equipment that best suit your bathroom. At Tylö, we care about personal expression.



Corner showers

Our glass shower walls win in terms of both style and function. Large handles add a touch of elegance to the entire design, which also has a smart magnetic strip closing embedded in the aluminium profiles. The shower walls come with either straight or curved door sections that can be opened inwards or outwards. By folding the doors in when the shower is not in use, you free up the maximum amount of floor space.

i80/W, aluminium profile, clear glass Art. no. 8912 1010	i80/W, aluminium profile, patterned glass Art. no. 8912 1040	i80/C curved, aluminium profile, clear glass Art. no. 8912 1065	i80/C curved, white profile, clear glass Art. no. 8912 1085
i90/W, aluminium profile, clear glass Art. no. 8912 1015	i90/W, aluminium profile, patterned glass Art. no. 8912 1045	i90/C curved, aluminium profile, clear glass Art. no. 8912 1070	i90/C curved, white profile, clear glass Art. no. 8912 1090
i80/W, white profile, clear glass Art. no. 8912 1025	i80/W, white profile, patterned glass Art. no. 8912 1055	i80/C curved, aluminium profile, patterned glass Art. no. 8912 1075	i80/C curved white profile, patterned glass Art. no. 8912 1095
i90/W, white profile, clear glass Art. no. 8912 1030	i90/W, white profile, patterned glass Art. no. 8912 1060	i90/C curved, aluminium profile, patterned glass Art. no. 8912 1080	i90/C curved, white profile, patterned glass Art. no. 8912 1100
i80/C straight, aluminium profile, clear glass Art. no. 8912 1105	i80/C straight, aluminium profile, patterned glass Art. no. 8912 1115	i80/C straight, white profile, clear glass Art. no. 8912 1125	i80/C straight, white profile, patterned glass Art. no. 8912 1135
i90/C straight, aluminium profile, clear glass Art. no. 8912 1110	i90/C aluminium profile, patterned glass Art. no. 8912 1120	i90/C straight, white profile, clear glass Art. no. 8912 1130	i90/C straight, white profile, patterned glass Art. no. 8912 1140

Choice of material

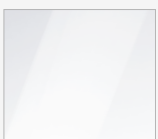
Shower walls are available in clear or frosted glass with either aluminium or white profiles. The shower walls measure 80 x 80 cm and 90 x 90 cm and are 2 m tall.



Profile: Aluminium



Profile: White



Glass: Clear glass



Glass: Patterned



1. Curved corner shower
Illustrated: curved corner shower with aluminium profile.



1. Spa experience in a shower

Free Fallin' is the name of Tylö's ground-breaking ceiling shower. Its minimalist design gives a sober and elegant impression, with a mounting device that enhances the overall look. Integral LED lighting provides that little bit extra you need for a relaxing spa experience. Free Fallin' comes in aluminium with features in stainless steel and white.

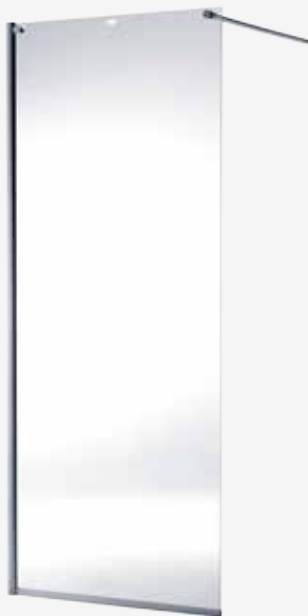
Connected to combined hot and cold water as well as 12 V DC. Supplied with fittings for ceiling installation, excl. mixer tap. Can be suspended at any height with the aid of the enclosed steel wire. External dimensions: 922 x 212 x 57 mm.

Art. no. 8900 7090

2. Domes

Turn your shower into a steam bath with a one-piece dome in special-grade plastic with assembly profiles of natural anodised aluminium. With a Diamant corner shower, a VB steam generator and a CC control panel, you have the perfect combination.

Tylö's domes are made from opaque plastic and are suitable for most of Tylö's cabinets, corners and doors. The domes are also available in specially designed version (TK-special). Max. length 200 cm. All domes are supplemented with profiles and doors.



2. Shower wall W
Illustrated: shower wall with aluminium profile.



3. Straight corner shower
Illustrated: straight corner shower with aluminium profile.



4. Curved corner shower
Illustrated: curved corner shower with pattern and white profile.

Accessories

Step into the steam and reveal who you are. Express your personality with a few well selected accessories. Personal style is paramount at Tylö. Our Scandinavian designers challenge themselves to design accessories that are an aesthetic statement. Ever since our founder Sven-Olof Janson made his first sauna in the 1950s, we have unveiled one ground-breaking innovation after another. Every little detail is infused with consideration and love. Open the door and experience it for yourself; it's all in the details.





Meditative starlight

Spread a meditative, starlit mood in your steam bath with our starry sky LED lighting. Choose between different colours for special occasions and to match the interior of the steam bath.



Tylö's steam heads

Step inside and feel the hot steam caress your skin. Your muscles relax and the tension melts away. Your mind clears and your dreams come to life. A liberating feeling. The steam head illustrated has an integral dispenser for Tylö fragrances.



New products and features!

Like other Tylö products, our stylish new towel rails are perfect for the modern bathroom. Five hangers on a neat, little surface. Black or white lacquered column with chromed features. The vertical, slim-line towel rails fit almost anywhere in the bathroom. The LED strip creates pleasant light during the day and evenings.



1. Ruben Sky LED

Bring a meditative, starlit mood to your steam bath with our starry sky LED lighting. Select a colour that suits the occasion and matches the interior of the steam bath.

Also included is a remote control that gives you a choice of seven pre-installed programmes and the option of creating your own programme lasting up to 20 minutes with as many as 20 colour changes.

Cable connections, 180 mm mounting sleeves and electronic equipment are included. Can also be synchronised with lighting behind the backrest (via a slave switch).

Ruben Sky LED 20
Quantity: 20. Output 11.6 W.
Art. no. 9001 1072

Ruben Sky LED 30
Quantity: 30. Output 17.4 W.
Art. no. 9001 1074

Ruben Sky LED 40
Quantity: 40. Output 23.2 W.
Art. no. 9001 1076

Ruben Sky LED 60
Quantity: 60. Output 34.8 W.
Art. no. 9001 1078

2. Fiber Light

Halogen lighting for mood-inducing lighting in all sorts of settings. The lighting source is in a projector placed outside the sauna room. The length of the optical fibres determines the maximum distance between the projector and the light points.

Fiber Light Standard
42 W with 6 light points (2 x 2 m, 2 x 2.5 m and 2 x 3 m).
Art. no. 9001 1100

Fiber Light Public
42 W with gilded fittings and 8 light points (2 x 2.5 m, 3 x 3 m and 3 x 3.5 m).
Art. no. 9001 1120

Fiber Light Colour S
75 W with 9 light points (1 x 0.5 m, 2 x 1 m, 3 x 1.6 m, 2 x 1.9 m, 1 x 2.3 m) and a rotating disc for fixed or changing colours.
Art. no. 9001 1125

Fiber Light Colour
75 W, as above but with 9 light points on 2.5 m cables for large rooms.
Art. no. 9001 1130

3. Lighting strips

Can be cut to size and installed under the benches in Excellent steam rooms. 12 V. Connect to our 12 V transformer. IP 24.

Lighting strip 38
Length 38 cm. 12 W output.
Art. no. 9001 1190

Lighting strip 50
Length 50 cm. 15 W output.
Art. no. 9001 1192

Lighting strip 90
Length 90 cm. 27 W output.
Art. no. 9001 1194

Lighting strip 190
Length 190 cm. 57 W output.
Art. no. 9001 1196

4. LED Downlight

Effective spotlighting for recessed installation in the steam room. 12 V/1 W. Connect to 12 V transformer described below. Installation size: \varnothing 42 mm. IP 65.

Art. no. 9001 1096

5. Steam light + Transformer

Steam Light A
Exclusive wall lamp for Tylö steam rooms. Supplied with a glass shade that spreads a warm, gentle glow in the steam bath.

Art. no. 9090 1000

Transformer steam light A 24 V
Transformer (type Steam Trans 24 V). Used for lighting in steam rooms, 200-240 V/24 V, max. 200 W.
Art. no. 9090 1010

Transformer 12 V/210 W
200-240 V~/12 V max. 210 W. Can be connected to a 7 m lighting strip or 42 x 5 W bulbs (Downlight). Size: 106 x 136 x 93 mm (WxLxH)
Art. no. 9090 1015

Transformer 12 V/60 W
As above, but for max. 60 W. Size: 73 x 124 x 61 mm (WxLxH). 57 W output.
Art. no. 9090 1020



1. Towel rails

Our stylish towel rails look perfect in modern bathrooms. Five hangers on a neat, little surface and black or white lacquered column. Size: 1430 x 210 mm (h x w). Distance from wall: 110 mm. Output: 140 W.

White Art. no. 9080 1035
Black Art. no. 9080 1040

2. Loud speakers

Steam and heat-resistant design. Rated output 50 W. Supplied in pairs.

Speaker A

Recessed installation under the lower bench in the steam room. Installation size: diameter 117 mm, depth 60 mm. Art. no. 9080 2000

Speaker B

Surface-mount. Size 230 x 145 mm, depth 165 mm. Art. no. 9080 3000

3. Descaling agent

Solvent

Powder for descaling the water tank in Tylö Combi heaters and Tylö steam generators. Totally odourless and harmless. Art. no. 9090 3000

Solvent 50

As above, in large pack of 50. Art. no. 9090 3007

Solvent Sulfamic

An extremely effective descaling agent for professional use only in public facilities. Sold in 5 kg packs. Art. no. 9090 3010



4. Cleansing Kit

Removes calcium deposits on shower glass and glazed tiles. Always use the titanium wool ball with liberal amounts of water. Impregnating liquid to protect shower glass and glazed tiles against a build-up of lime deposits.

Art. no. 9090 3020

Tylö Impregurator

Preserves and protects shower glass and glazed tiles. Spray on and rinse off with clean water.

Art. no. 9090 3030

Disinfectant

For effective disinfecting of sauna rooms. Supplied in 5-litre plastic containers.

Art. no. 9002 9100

5. Disinfectant

Steam Clean For automatic day-to-day hygiene and disinfection of steam rooms in hotels and public facilities. One hour after completion of the bathing cycle the entire room is automatically flushed with water. A ceiling-mounted sprinkler sprays disinfectant throughout the room and then repeatedly rinses it off with clean water. A security code function ensures that the disinfecting cycle cannot be started by mistake. **Steam Clean** is therefore the perfect cleaning system for all public facilities. Art. no. 9090 8020

Mould Remover 450 ml (Mögelrent)

Simply spray on to remove black mould spots quickly and effectively! This mould remover penetrates deep,



5

7

killing bacteria and mould spores that thrive in the humidity of showers and bathrooms, and helps to inhibit regrowth. Ideal for tiles, joints, shower curtains, plastic matting, etc.

Art. no. 9090 3040

MegaClean150ml

Kit containing bottle and cleaning sponge. Tylö MegaClean leaves a sparkling result on washbasins, baths, taps, tiles and plastics (for example, bubble baths and steam baths). Tylö MegaClean's unique cleaning action is the result of a carefully balanced mix of cleaning agents and substances that protect surfaces. This makes it easier to remove grime and deposits that normal cleaning agents cannot. Tylö MegaClean is free from environmentally hazardous substances and adds a sparkle to all surfaces that can be washed in water.

Art. no. 9090 3050

6. Steam Outlet

Steam head with integral dispenser for Tylö fragrances. Connect to the steam generator's steam pipe.

Art. no. 9002 9250

7. Fragrance dispenser, Tylö Fresh

Fragrance dispenser for saunas, steam baths and wherever else Tylö's aromatic essences may be needed. Operates silently and automatically. Installation distance: max. 2 metres between fragrance dispenser and steam head. Tip! Up to four fragrance dispensers can be connected to a single control panel to vary the fragrance in one or more rooms. Size: 350 x 200 mm. Art. no. 9090 8005

CC Fresh

Electronic control panel for easy, automatic control of our Tylö Fresh dispenser. Supplied complete with transformer. Can be installed at any distance from the fragrance dispenser. Size: 130 x 190 mm, depth 27 mm. Art. no. 9090 8009

Tylö Fresh Basic

Same as Tylö Fresh above, but with transformer and simple on/off function to manually control fragrance intensity. Can also be connected to lighting or similar functions. Intended for private use. Art. no. 9090 8007

The following fragrances are available for Tylö Fresh.:

Eucalyptus 25
Art. no. 9002 2030

Peppermint 25
Art. no. 9002 2031

Pine 25
Art. no. 9002 2032

Lavender 25
Art. no. 9002 2033

Citrus 25
Art. no. 9002 2036

Notes:

www.TYLO.com/productname



The symbols in the catalogue mean that there is more information about the products on our website. Type www.tylo.com/productname for more details about a particular item. You will then be forwarded directly to that product. You can also download information about the products at www.tylo.com/download.

TYLÖ
**STEAM
SHOWER**

© 2013 Tylö AB.

Tylö AB accepts no responsibility for printing errors
and reserves the right to make changes.

Produced by Markenvard Media and
printed by Sörmlands grafiska.



Tylö dealers

